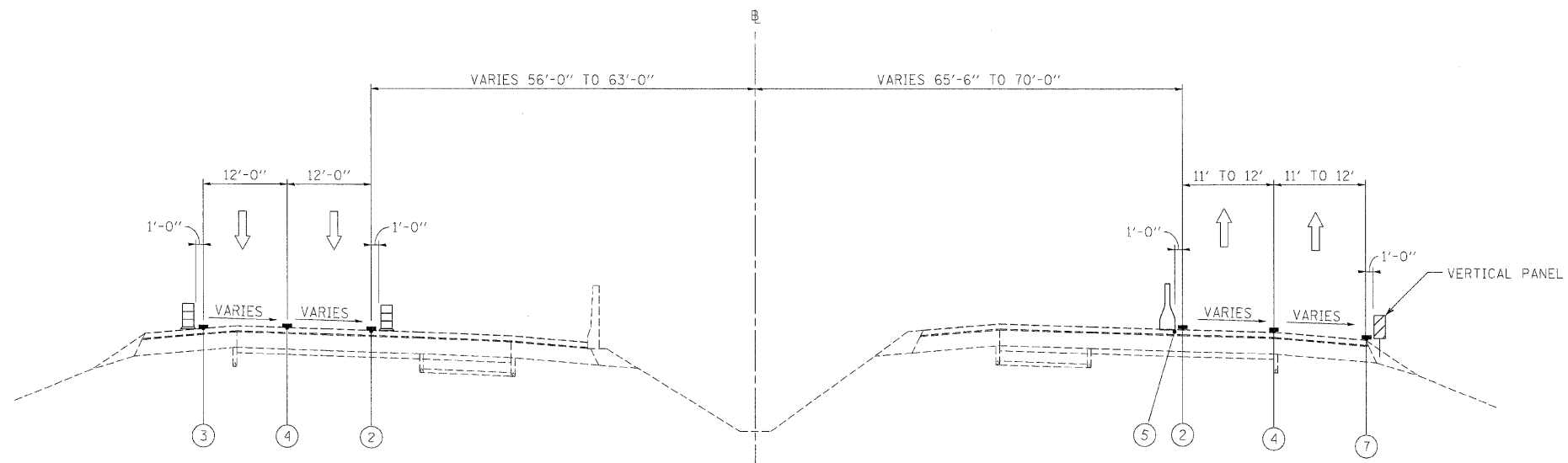


SOUTHBOUND
 STA 92+64 TO STA 93+62 (FAI 355 SB)
 STA 96+35 TO STA 99+73 (FAI 355 SB)
 BRIDGE OMISSION STA 93+60 TO 96+35

I-355 MAINTENANCE OF TRAFFIC
TYPICAL SECTION
 STAGE 1

NORTHBOUND
 STA 93+80 TO STA 93+83 (FAI 355 NB)
 STA 96+77 TO STA 97+53 (FAI 355 NB)
 BRIDGE OMISSION STA 93+87 TO 96+79



SOUTHBOUND
 STA 99+73 TO STA 102+88

I-355 MAINTENANCE OF TRAFFIC
TYPICAL SECTION
 STAGE 1

NORTHBOUND
 STA 97+53 TO 103+35

LEGEND

- ① EXISTING PAVEMENT MARKING
- ② WET REFLECTIVE TEMPORARY TAPE, - TYPE III, 4 INCH (YELLOW)
- ③ WET REFLECTIVE TEMPORARY TAPE, - TYPE III, 4 INCH (WHITE)
- ④ WET REFLECTIVE TEMPORARY TAPE, - TYPE III, 5 INCH (WHITE)
- ⑤ TEMPORARY PAVEMENT MARKING - LINE 6" (YELLOW) (ON BARRIER)
- ⑥ TEMPORARY PAVEMENT MARKING - LINE 6" (WHITE) (ON BARRIER)
- ⑦ WET REFLECTIVE TEMPORARY TAPE, - TYPE III, 8 INCH (WHITE)
- TEMPORARY CONCRETE BARRIER
- TYPE II BARRIER, DRUM, OR VERTICAL BARRICADE WITH STEADY BURN MONODIRECTIONAL LIGHT
- WORK ZONE

FILE NAME =	DESIGNED - AJP	REVISED -
...\\ppln-4bc.c1.m1.mot.tyo.st.1.02.dgn	DRAWN - TMB	REVISED -
USER NAME = tblank	CHECKED - JJT	REVISED -
PLOT DATE = 11/13/2009	DATE - 10/16/09	REVISED -

benesch

STATE OF ILLINOIS
DEPARTMENT OF TRANSPORTATION

MAINTENANCE OF TRAFFIC
TYPICAL SECTION - STAGE 1

SCALE: N.T.S. SHEET NO. 18 OF 115 SHEETS STA. TO STA.

F.A.I. RTE.	SECTION	COUNTY	TOTAL SHEETS	SHEET NO.
• 290,355	22(1, 1-1, 2&3)RS-7	DUPAGE	546	122
FED. ROAD DIST. NO.	ILLINOIS FED. AID PROJECT	CONTRACT NO. 60651		