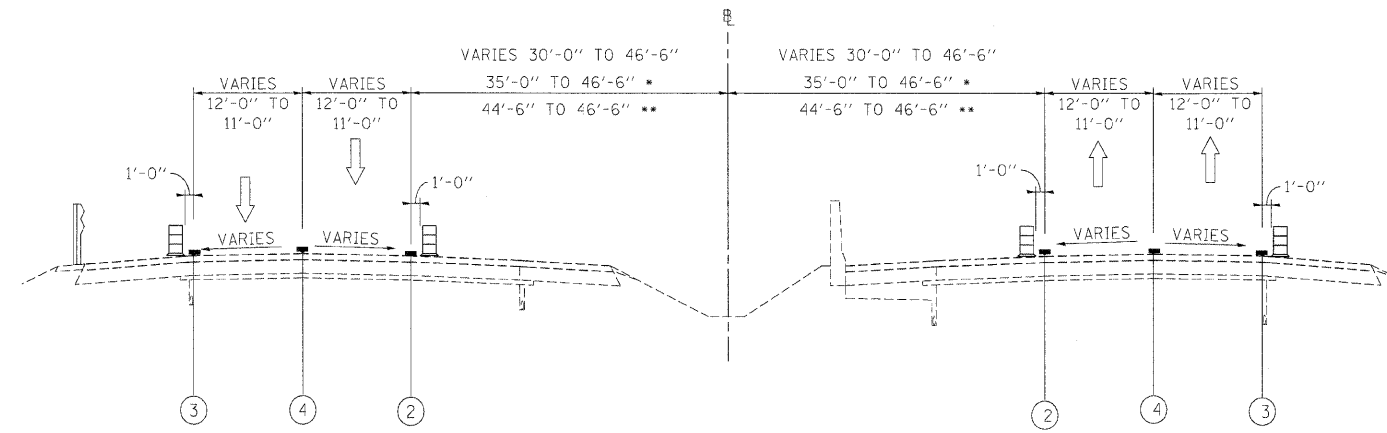


WESTBOUND
STA 97+85 TO STA 111+78

**I-290 MAINTENANCE OF TRAFFIC
TYPICAL SECTION
STAGE 1**

EASTBOUND
STA 97+85 TO STA 108+02



WESTBOUND
STA 111+78 TO STA 115+80
STA 164+78 TO STA 164+70 *
STA 211+00 TO STA 211+70 **

**I-290 MAINTENANCE OF TRAFFIC
TYPICAL SECTION
STAGE 1**

EASTBOUND
STA 108+03 TO STA 116+25
STA 165+07 TO STA 169+10 *
STA 213+00 TO STA 213+70 **

LEGEND

- ① EXISTING PAVEMENT MARKING
- ② WET REFLECTIVE TEMPORARY TAPE, - TYPE III, 4 INCH (YELLOW)
- ③ WET REFLECTIVE TEMPORARY TAPE, - TYPE III, 4 INCH (WHITE)
- ④ WET REFLECTIVE TEMPORARY TAPE, - TYPE III, 5 INCH (WHITE)
- ⑤ TEMPORARY PAVEMENT MARKING - LINE 6" (YELLOW) (ON BARRIER)
- ⑥ TEMPORARY PAVEMENT MARKING - LINE 6" (WHITE) (ON BARRIER)
- ⑦ WET REFLECTIVE TEMPORARY TAPE, - TYPE III, 8 INCH (WHITE)
- TEMPORARY CONCRETE BARRIER
- TYPE II BARRIER, DRUM, OR VERTICAL BARRICADE WITH STEADY BURN MONODIRECTIONAL LIGHT
- WORK ZONE

FILE NAME =	DESIGNED - AJP	REVISED -
...\\ppln_abc\cl\ml\mot\typ.st.1.07.dgn	DRAWN - TMB	REVISED -
USER NAME = tblank	CHECKED - JJT	REVISED -
PLD DATE = 11/13/2009	DATE - 10/16/09	REVISED -



**STATE OF ILLINOIS
DEPARTMENT OF TRANSPORTATION**

**MAINTENANCE OF TRAFFIC
TYPICAL SECTION - STAGE 1**

SCALE: N.T.S. SHEET NO. 22 OF 115 SHEETS STA. TO STA.

F.A.I. RTE.	SECTION	COUNTY	TOTAL SHEETS	SHEET NO.
•	22(1, 1-1, 2&3/RS-7	DUPAGE	546	126
•290,355	CONTRACT NO. 60G51			
FED. ROAD DIST. NO.	ILLINOIS FED. AID PROJECT			