

**I-290 MAINTENANCE OF TRAFFIC
TYPICAL SECTION
STAGE 1**

STA 115+80 TO STA 119+38 (FAI 290 WB)
 STA 123+52 TO STA 127+00 (FAI 290 WB)
 STA 169+80 TO STA 172+34 (FAI 290 WB)
 STA 176+41 TO STA 183+33 (FAI 290 WB)
 STA 213+70 TO STA 221+92 (FAI 290 WB)
 STA 226+19 TO STA 229+20 (FAI 290 WB)
 STA 237+50 TO STA 240+51 (FAI 290 WB)
 STA 244+70 TO STA 248+20 (FAI 290 WB)

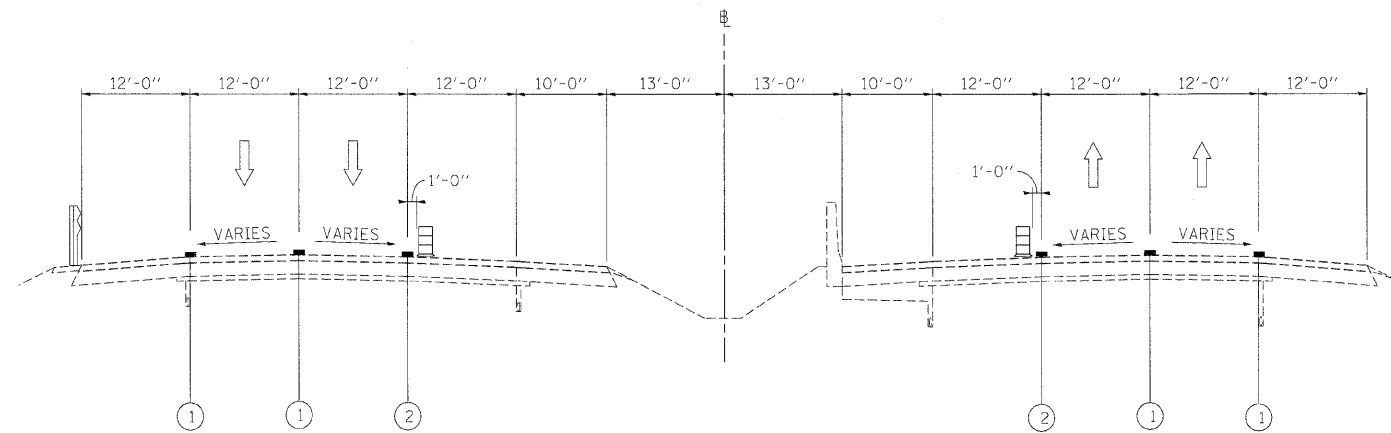
BRIDGE OMISSION

STA 119+38 TO STA 123+52
 STA 172+34 TO STA 176+41
 STA 221+92 TO STA 226+19
 STA 240+51 TO STA 244+70

STA 116+25 TO STA 119+90 (FAI 290 EB)
 STA 124+13 TO STA 127+65 (FAI 290 EB)
 STA 169+10 TO STA 172+60 (FAI 290 EB)
 STA 176+60 TO STA 180+00 (FAI 290 EB)
 STA 211+00 TO STA 221+34 (FAI 290 EB)
 STA 225+84 TO STA 227+35 (FAI 290 EB)
 STA 237+95 TO STA 240+96 (FAI 290 EB)
 STA 245+27 TO STA 248+80 (FAI 290 EB)

BRIDGE OMISSION

STA 119+90 TO STA 124+11
 STA 172+60 TO STA 176+60
 STA 221+34 TO STA 225+84
 STA 240+96 TO STA 245+27



**I-290 MAINTENANCE OF TRAFFIC
TYPICAL SECTION
STAGE 1**

STA 131+03 TO STA 164+78 (FAI 290 WB)

STA 131+08 TO STA 165+07 (FAI 290 EB)

LEGEND

- ① EXISTING PAVEMENT MARKING
- ② WET REFLECTIVE TEMPORARY TAPE, - TYPE III, 4 INCH (YELLOW)
- ③ WET REFLECTIVE TEMPORARY TAPE, - TYPE III, 4 INCH (WHITE)
- ④ WET REFLECTIVE TEMPORARY TAPE, - TYPE III, 5 INCH (WHITE)
- ⑤ TEMPORARY PAVEMENT MARKING - LINE 6" (YELLOW) (ON BARRIER)
- ⑥ TEMPORARY PAVEMENT MARKING - LINE 6" (WHITE) (ON BARRIER)
- ⑦ WET REFLECTIVE TEMPORARY TAPE, - TYPE III, 8 INCH (WHITE)
- TEMPORARY CONCRETE BARRIER
- TYPE II BARRIER, DRUM, OR VERTICAL BARRICADE WITH STEADY BURN MONODIRECTIONAL LIGHT
- WORK ZONE

FILE NAME =	DESIGNED - AJP	REVISED -
...ppln_abc.dwg	DRAWN - TMB	REVISED -
USER NAME = tblank	CHECKED - JLT	REVISED -
PLOT DATE = 11/13/2009	DATE - 10/16/09	REVISED -

benesch

**STATE OF ILLINOIS
DEPARTMENT OF TRANSPORTATION**

**MAINTENANCE OF TRAFFIC
TYPICAL SECTION - STAGE 1**

SCALE: N.T.S. SHEET NO. 23 OF 115 SHEETS STA. TO STA.

F.A.I. RTE.	SECTION	COUNTY	TOTAL SHEETS	SHEET NO.
*	22(1, 1-1, 2&3)RS-7	DUPAGE	546	127
*290,355			CONTRACT NO. 60651	
FED. ROAD DIST. NO. [ILLINOIS] FED. AID PROJECT				