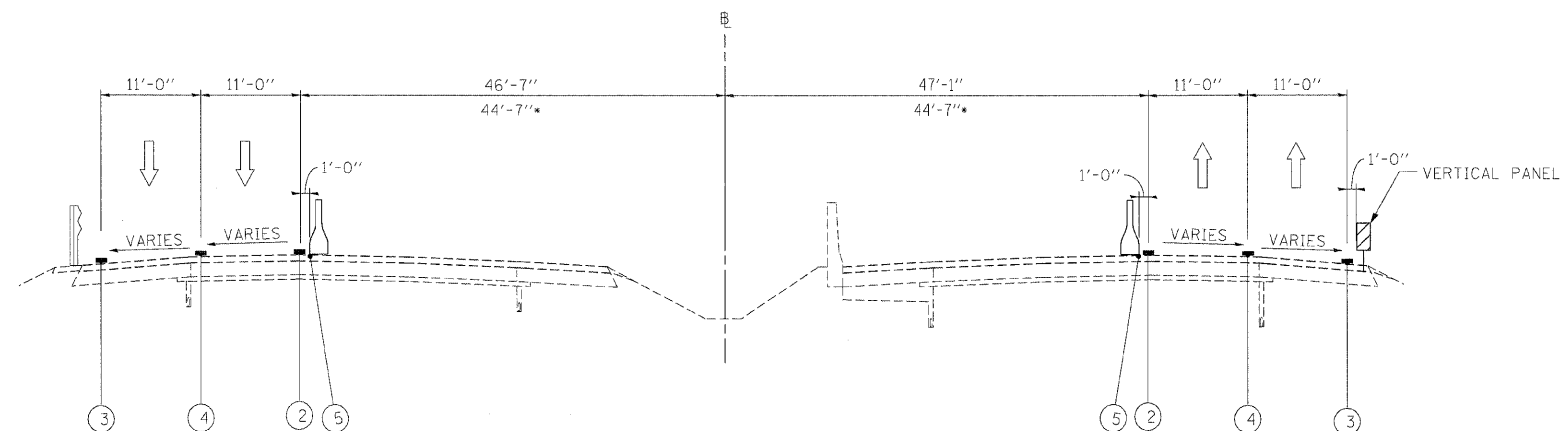


WESTBOUND
 STA 127+00 TO STA 131+03
 STA 180+33* TO STA 184+00*

I-290 MAINTENANCE OF TRAFFIC
TYPICAL SECTION
 STAGE 1

EASTBOUND
 STA 127+65 TO STA 131+06
 STA 180+00* TO 180+67*



WESTBOUND
 STA 229+20 TO STA 237+50
 *STA 184+00 TO STA 213+00
 BRIDGE OMISSION STA 202+83 TO STA 207+94

I-290 MAINTENANCE OF TRAFFIC
TYPICAL SECTION
 STAGE 1

EASTBOUND
 STA 227+35 TO STA 237+75
 *STA 180+67 TO STA 211+00
 BRIDGE OMISSION STA 203+00 TO STA 208+12

LEGEND

- ① EXISTING PAVEMENT MARKING
- ② WET REFLECTIVE TEMPORARY TAPE, - TYPE III, 4 INCH (YELLOW)
- ③ WET REFLECTIVE TEMPORARY TAPE, - TYPE III, 4 INCH (WHITE)
- ④ WET REFLECTIVE TEMPORARY TAPE, - TYPE III, 5 INCH (WHITE)
- ⑤ TEMPORARY PAVEMENT MARKING - LINE 6" (YELLOW) (ON BARRIER)
- ⑥ TEMPORARY PAVEMENT MARKING - LINE 6" (WHITE) (ON BARRIER)
- ⑦ WET REFLECTIVE TEMPORARY TAPE, - TYPE III, 8 INCH (WHITE)
- TEMPORARY CONCRETE BARRIER
- TYPE II BARRIER, DRUM, OR VERTICAL BARRICADE WITH STEADY BURN MONODIRECTIONAL LIGHT
- WORK ZONE

FILE NAME =	DESIGNED - AJP	REVISED -
\\vorp\h_abc\cl_m1_mot_typ.st.1.09.dgn	DRAWN - TMB	REVISED -
USER NAME = tblank	CHECKED - JJT	REVISED -
PLOT DATE = 11/13/2009	DATE - 10/16/09	REVISED -

benesch

STATE OF ILLINOIS
DEPARTMENT OF TRANSPORTATION

MAINTENANCE OF TRAFFIC
TYPICAL SECTION - STAGE 1

SCALE: N.T.S. SHEET NO. 24 OF 115 SHEETS STA. TO STA.

F.A.I. RTE.	SECTION	COUNTY	TOTAL SHEETS	SHEET NO.
*290,355	22X1, 1-1, 2&3RS-7	DUPAGE	546	128
FED. ROAD DIST. NO. [ILLINOIS] FED. AID PROJECT		CONTRACT NO. 60G51		