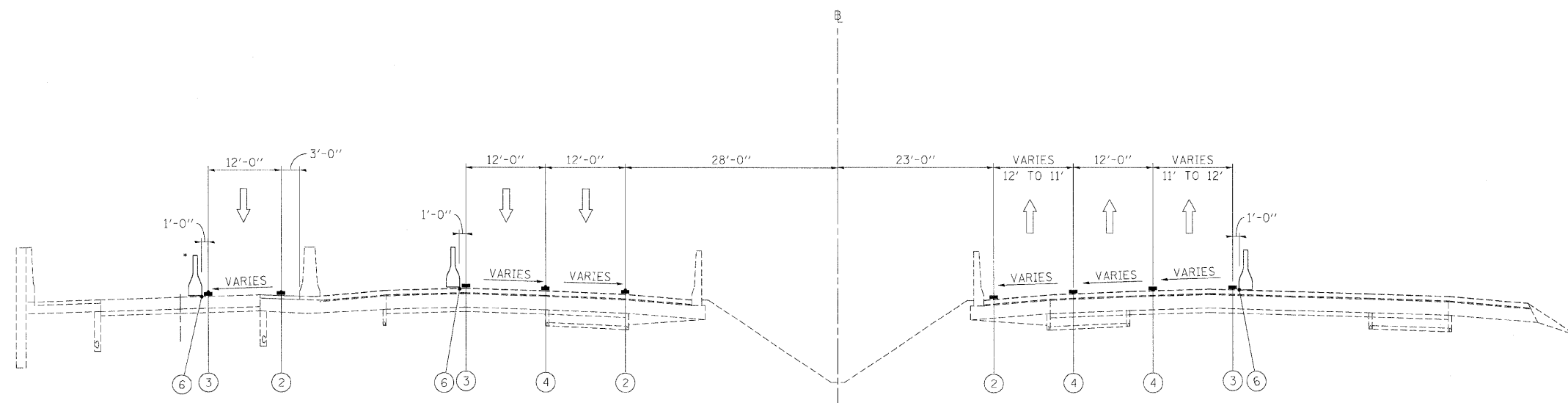


**STAGE 2**  
**I-355 MAINTENANCE OF TRAFFIC**  
 TYPICAL SECTION

STA 90+10 TO STA 93+62 (FAI 355 SB)  
 STA 96+35 TO STA 100+55 (FAI 355 SB)  
 BRIDGE OMISSION STA 93+60 TO 96+35

STA 90+00 TO STA 93+53 (FAI 355 NB)



**STAGE 2**  
**I-355 MAINTENANCE OF TRAFFIC**  
 TYPICAL SECTION

STA 100+55 TO STA 104+99 (FAI 355 SB)  
 STA 108+84 TO STA 119+00 (FAI 355 SB)  
 \*BARRELS IN PLACE OF BARRIER WALL STA 102+28 TO STA 104+99  
 AND STA 114+04 TO 119+00  
 BRIDGE OMISSION STA 104+99 TO STA 108+84

STA 93+53 TO STA 93+83 (FAI 355 NB)  
 STA 96+75 TO STA 103+57 (FAI 355 NB)  
 STA 107+78 TO STA 111+30 (FAI 355 NB)  
 BRIDGE OMISSION STA 93+83 TO STA 96+75  
 AND STA 103+57 TO STA 107+78

**LEGEND**

- ① EXISTING PAVEMENT MARKING
- ② WET REFLECTIVE TEMPORARY TAPE, - TYPE III, 4 INCH (YELLOW)
- ③ WET REFLECTIVE TEMPORARY TAPE, - TYPE III, 4 INCH (WHITE)
- ④ WET REFLECTIVE TEMPORARY TAPE, - TYPE III, 5 INCH (WHITE)
- ⑤ TEMPORARY PAVEMENT MARKING - LINE 6" (YELLOW) (ON BARRIER)
- ⑥ TEMPORARY PAVEMENT MARKING - LINE 6" (WHITE) (ON BARRIER)
- ⑦ WET REFLECTIVE TEMPORARY TAPE, - TYPE III, 8 INCH (WHITE)
- TEMPORARY CONCRETE BARRIER
- TYPE II BARRIER, DRUM, OR VERTICAL BARRICADE WITH STEADY BURN MONODIRECTIONAL LIGHT
- WORK ZONE

FILE NAME =	DESIGNED - AJP	REVISED -
...\\ppln_abc\cl\ml\mot_twp.st.2.02.dgn	DRAWN - TMB	REVISED -
USER NAME = tblank	CHECKED - JLT	REVISED -
PLOT DATE = 11/13/2009	DATE - 10/16/09	REVISED -

**benesch**

**STATE OF ILLINOIS**  
**DEPARTMENT OF TRANSPORTATION**

<b>MAINTENANCE OF TRAFFIC</b>	
<b>TYPICAL SECTION - STAGE 2</b>	
SCALE: N.T.S.	SHEET NO. 53 OF 115 SHEETS
STA.	TO STA.

F.A.I. R.T.E.	SECTION	COUNTY	TOTAL SHEETS	SHEET NO.
*290,355	22K1, 1-1, 2&3RS-7	DUPAGE	546	157
FED. ROAD DIST. NO.		ILLINOIS FED. AID PROJECT		
		CONTRACT NO. 60G51		