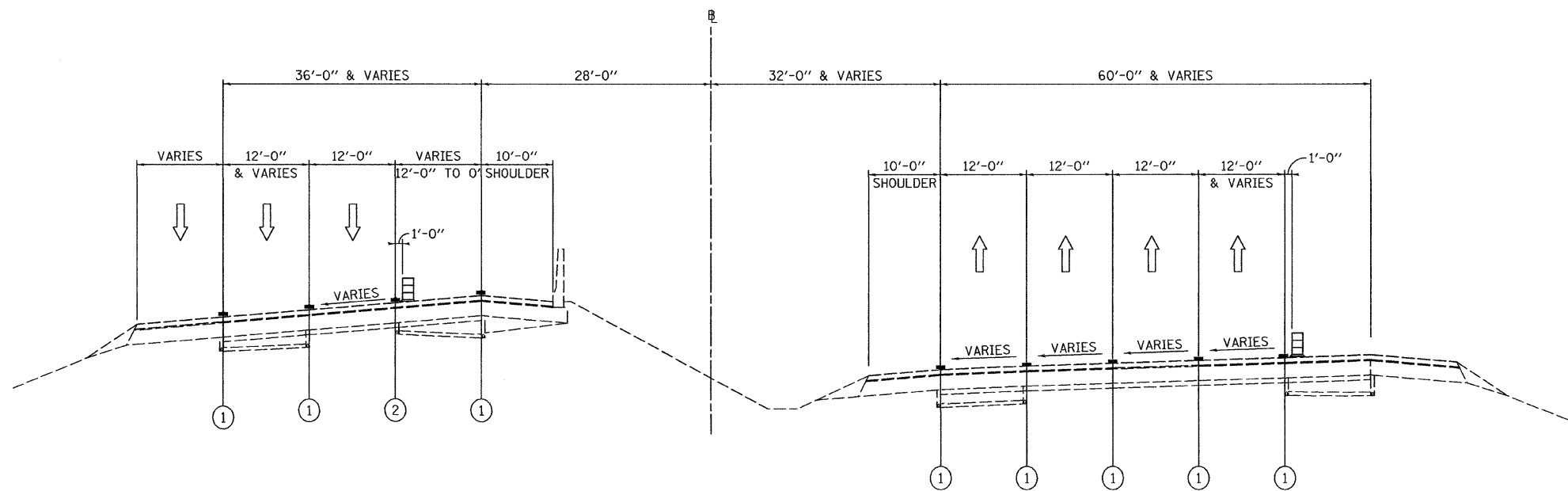


STA 119+00 TO STA 123+37 (FAI 355 SB)

STAGE 2
I-355 MAINTENANCE OF TRAFFIC
TYPICAL SECTION

STA 111+30 TO STA 114+10 (FAI 355 NB)



STA 123+37 TO STA 156+40 (FAI 355 SB)
STA 00+00 TO STA 75+00 (FAI 290 SB)

STAGE 2
I-355 MAINTENANCE OF TRAFFIC
TYPICAL SECTION

STA 114+10 TO STA 120+50 (FAI 355 NB)

LEGEND

- ① EXISTING PAVEMENT MARKING
- ② WET REFLECTIVE TEMPORARY TAPE, - TYPE III, 4 INCH (YELLOW)
- ③ WET REFLECTIVE TEMPORARY TAPE, - TYPE III, 4 INCH (WHITE)
- ④ WET REFLECTIVE TEMPORARY TAPE, - TYPE III, 5 INCH (WHITE)
- ⑤ TEMPORARY PAVEMENT MARKING - LINE 6" (YELLOW) (ON BARRIER)
- ⑥ TEMPORARY PAVEMENT MARKING - LINE 6" (WHITE) (ON BARRIER)
- ⑦ WET REFLECTIVE TEMPORARY TAPE, - TYPE III, 8 INCH (WHITE)
- TEMPORARY CONCRETE BARRIER
- TYPE II BARRIER, DRUM, OR VERTICAL BARRICADE WITH STEADY BURN MONODIRECTIONAL LIGHT
- WORK ZONE

FILE NAME =	DESIGNED - AJP	REVISED -
...prpin-ABC-C1.m1-not.typ.st.2.#3.dgn	DRAWN - TMB	REVISED -
USER NAME = tblank	CHECKED - JJT	REVISED -
PLOT DATE = 11/16/2009	DATE - 10/16/09	REVISED -

benesch

STATE OF ILLINOIS
DEPARTMENT OF TRANSPORTATION

MAINTENANCE OF TRAFFIC
TYPICAL SECTION - STAGE 2

SCALE: N.T.S. SHEET NO. 54 OF 115 SHEETS STA. TO STA.

F.A.I. RTE.	SECTION	COUNTY	TOTAL SHEETS	SHEET NO.
•	221, 1-1, 2&3RS-7	DUPAGE	546	158
*290,355	CONTRACT NO. 60G51			
FED. ROAD DIST. NO.		ILLINOIS FED. AID PROJECT		