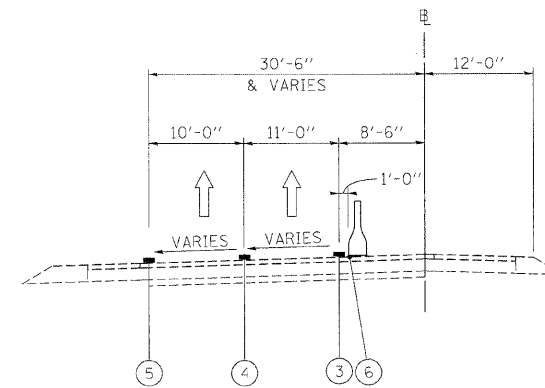


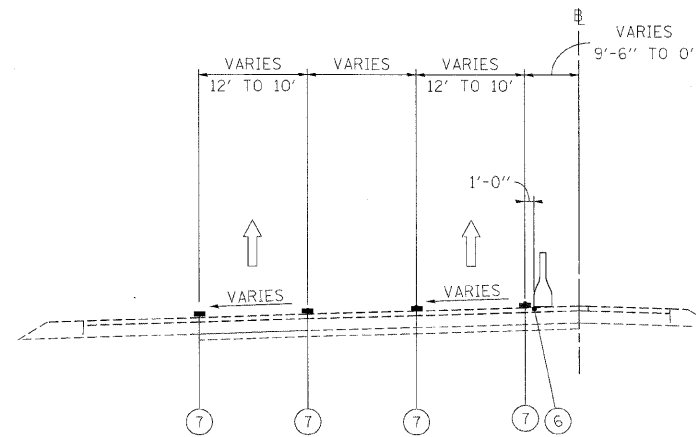
**STAGE 2  
MAINTENANCE OF TRAFFIC  
TYPICAL SECTION**

WB FAI 290 TO SB FAI 355 RAMP STA 11+37 TO STA 14+35



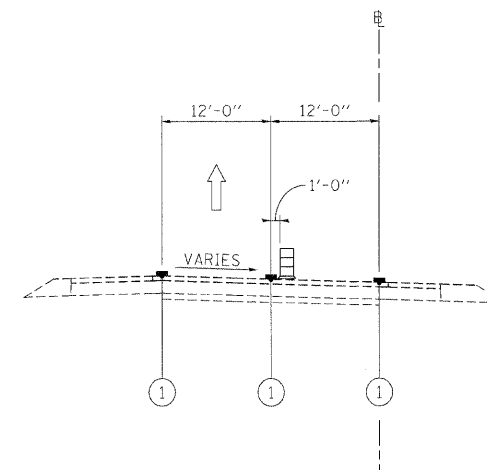
**STAGE 2  
MAINTENANCE OF TRAFFIC  
TYPICAL SECTION**

WB FAI 290 TO SB FAI 355 RAMP STA 14+35 TO STA 31+83



**STAGE 2  
MAINTENANCE OF TRAFFIC  
TYPICAL SECTION**

WB FAI 290 TO SB FAI 355 RAMP STA 14+35 TO STA 34+40



**MAINTENANCE OF TRAFFIC  
TYPICAL SECTION**

PLACED IN STAGED 1

NB FAI 355 TO EB FAI 290 RAMP STA 0+00 TO STA 26+58

**LEGEND**

- ① EXISTING PAVEMENT MARKING
- ② WET REFLECTIVE TEMPORARY TAPE, - TYPE III, 4 INCH (YELLOW)
- ③ WET REFLECTIVE TEMPORARY TAPE, - TYPE III, 4 INCH (WHITE)
- ④ WET REFLECTIVE TEMPORARY TAPE, - TYPE III, 5 INCH (WHITE)
- ⑤ TEMPORARY PAVEMENT MARKING - LINE 6" (YELLOW) (ON BARRIER)
- ⑥ TEMPORARY PAVEMENT MARKING - LINE 6" (WHITE) (ON BARRIER)
- ⑦ WET REFLECTIVE TEMPORARY TAPE, - TYPE III, 8 INCH (WHITE)
- TEMPORARY CONCRETE BARRIER
- TYPE II BARRIER, DRUM, OR VERTICAL BARRICADE WITH STEADY BURN MONODIRECTIONAL LIGHT
- WORK ZONE

FILE NAME =	DESIGNED - AJP	REVISED -
...proln_abc.ctb.mot.tyo.st.2.04.dgn	DRAWN - TMB	REVISED -
USER NAME = tblank	CHECKED - JJT	REVISED -
PLOT DATE = 11/13/2009	DATE - 10/16/09	REVISED -

**benesch**

**STATE OF ILLINOIS  
DEPARTMENT OF TRANSPORTATION**

**MAINTENANCE OF TRAFFIC  
TYPICAL SECTION - STAGE 2**

SCALE: N.T.S. SHEET NO. 55 OF 115 SHEETS STA. TO STA.

F.A.I. RTE.	SECTION	COUNTY	TOTAL SHEETS	SHEET NO.
• 290,355	2201, 1-1, 2&3RS-7	DUPAGE	546	159
FED. ROAD DIST. NO.	ILLINOIS FED. AID PROJECT	CONTRACT NO.	60G51	