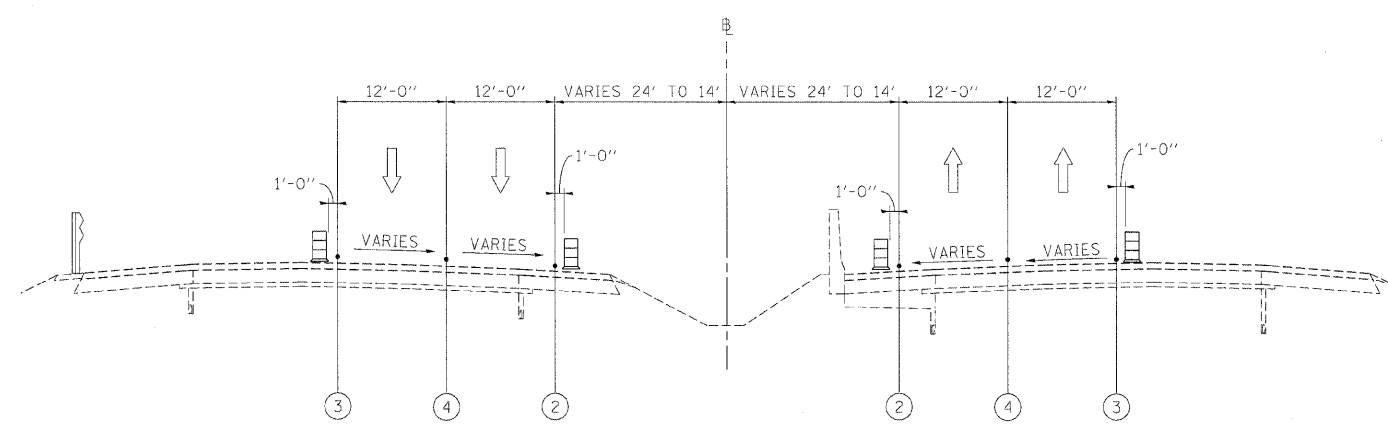


**STAGE 2**  
**I-290 MAINTENANCE OF TRAFFIC**  
**TYPICAL SECTION**

STA 103+60 TO STA 113+34 (WB FAI 290)  
 STA 130+25 TO STA 165+65 (WB FAI 290)

STA 103+60 TO STA 113+25 (EB FAI 290)  
 STA 130+75 TO STA 165+95 (EB FAI 290)



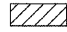


**STAGE 2**  
**I-290 MAINTENANCE OF TRAFFIC**  
**TYPICAL SECTION**

STA 112+75 TO STA 115+90 (WB FAI 290)  
 STA 165+65 TO STA 168+80 (WB FAI 290)

STA 113+60 TO STA 116+40 (EB FAI 290)  
 STA 248+30 TO STA 251+60 (EB FAI 290)

**LEGEND**

- ① EXISTING PAVEMENT MARKING
- ② WET REFLECTIVE TEMPORARY TAPE, - TYPE III, 4 INCH (YELLOW)
- ③ WET REFLECTIVE TEMPORARY TAPE, - TYPE III, 4 INCH (WHITE)
- ④ WET REFLECTIVE TEMPORARY TAPE, - TYPE III, 5 INCH (WHITE)
- ⑤ TEMPORARY PAVEMENT MARKING - LINE 6" (YELLOW) (ON BARRIER)
- ⑥ TEMPORARY PAVEMENT MARKING - LINE 6" (WHITE) (ON BARRIER)
- ⑦ WET REFLECTIVE TEMPORARY TAPE, - TYPE III, 6 INCH (WHITE)
-  TEMPORARY CONCRETE BARRIER
-  TYPE II BARRIER, DRUM, OR VERTICAL BARRICADE WITH STEADY BURN MONODIRECTIONAL LIGHT
-  WORK ZONE

FILE NAME =	DESIGNED - AJP	REVISED -	<b>benesch</b>	<b>STATE OF ILLINOIS</b> <b>DEPARTMENT OF TRANSPORTATION</b>	<b>MAINTENANCE OF TRAFFIC</b> <b>TYPICAL SECTION - STAGE 2</b>	F.A.I. RTE.	SECTION	COUNTY	TOTAL SHEETS	SHEET NO.
...\\prip\h_abc\cl\1\mot_tsp.st.2.06.dgn	DRAWN - TMB	REVISED -				•	220, 1-1, 2&3RS-7	DUPAGE	546	160
USER NAME = tblank	CHECKED - JJT	REVISED -				•290,355	CONTRACT NO. 60G51			
PLOT DATE = 11/13/2009	DATE 10/16/09	REVISED -				FED. ROAD DIST. NO.		ILLINOIS FED. AID PROJECT		
						SCALE: N.T.S.	SHEET NO. 56 OF 115 SHEETS	STA.	TO STA.	