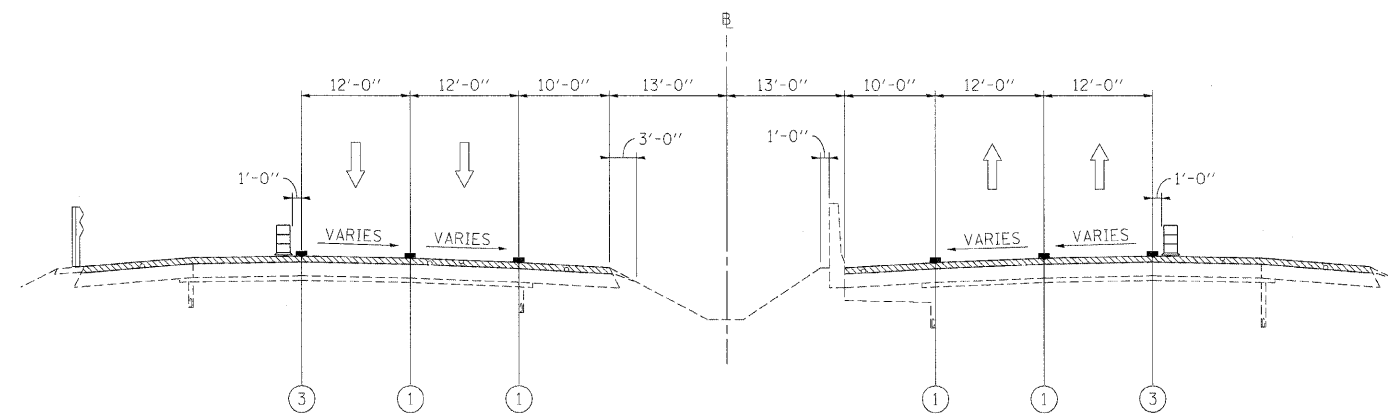


**STAGE 2**  
**I-290 MAINTENANCE OF TRAFFIC**  
 TYPICAL SECTION


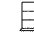

STA 239+52 TO STA 247+70 (WB FAI 290)      STA 237+75 TO STA 246+80 (EB FAI 290)



**STAGE 2**  
**I-290 MAINTENANCE OF TRAFFIC**  
 TYPICAL SECTION

STA 251+32 TO STA 267+00 (WB FAI 290)      STA 250+75 TO STA 267+00 (EB FAI 290)

**LEGEND**

- ① EXISTING PAVEMENT MARKING
- ② WET REFLECTIVE TEMPORARY TAPE, - TYPE III, 4 INCH (YELLOW)
- ③ WET REFLECTIVE TEMPORARY TAPE, - TYPE III, 4 INCH (WHITE)
- ④ WET REFLECTIVE TEMPORARY TAPE, - TYPE III, 5 INCH (WHITE)
- ⑤ TEMPORARY PAVEMENT MARKING - LINE 6" (YELLOW) (ON BARRIER)
- ⑥ TEMPORARY PAVEMENT MARKING - LINE 6" (WHITE) (ON BARRIER)
- ⑦ WET REFLECTIVE TEMPORARY TAPE, - TYPE III, 6 INCH (WHITE)
-  TEMPORARY CONCRETE BARRIER
-  TYPE II BARRIER, DRUM, OR VERTICAL BARRICADE WITH STEADY BURN MONODIRECTIONAL LIGHT
-  WORK ZONE

FILE NAME =	DESIGNED - AJP	REVISED -
...p\p\in_48C_01.m\mot.tyo.st.2.11.dgn	DRAWN - TMB	REVISED -
USER NAME = tblank	CHECKED - JUT	REVISED -
PLOT DATE = 11/13/2009	DATE - 10/16/09	REVISED -

**benesch**

**STATE OF ILLINOIS**  
**DEPARTMENT OF TRANSPORTATION**

<b>MAINTENANCE OF TRAFFIC</b>		F.A.I. RTE.	SECTION	COUNTY	TOTAL SHEETS	SHEET NO.
<b>TYPICAL SECTION - STAGE 2</b>		•	22(1, 1-1, 2&3)RS-7	DUPAGE	546	165
SCALE: N.T.S.		SHEET NO. 61 OF 115 SHEETS		STA.	TO STA.	
		•290,355		CONTRACT NO. 60651		
		FED. ROAD DIST. NO.   ILLINOIS   FED. AID PROJECT				