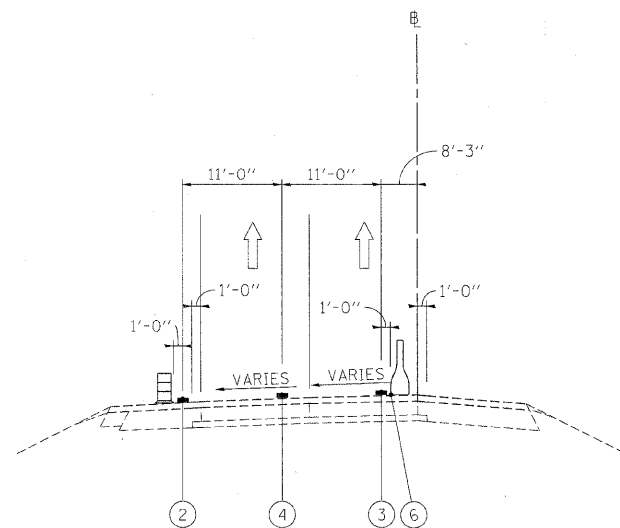


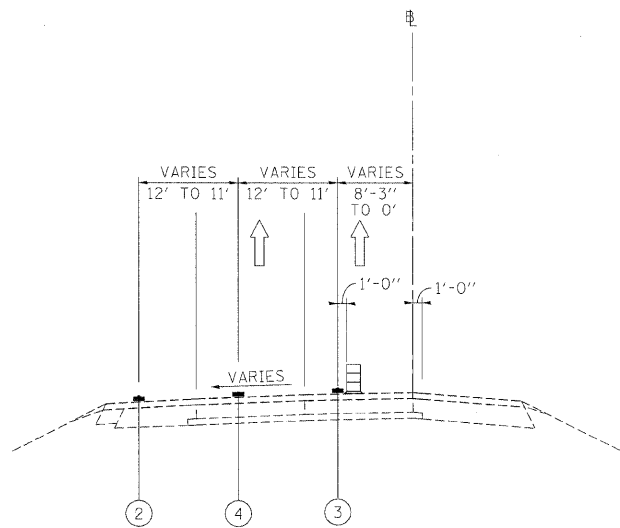
STAGE 2B
MAINTENANCE OF TRAFFIC
TYPICAL SECTION

SB FAI 290/355 TO EB FAI 290 STA 29+21 TO STA 32+10



STAGE 2B
MAINTENANCE OF TRAFFIC
TYPICAL SECTION

SB FAI 290/355 TO EB FAI 290 STA 32+10 TO STA 35+63
SB FAI 290/355 TO EB FAI 290 STA 42+51 TO STA 46+00
BRIDGE OMISSION STA 35+63 STA 42+51



STAGE 2B
MAINTENANCE OF TRAFFIC
TYPICAL SECTION

SB FAI 290/355 TO EB FAI 290 STA 46+00 TO STA 48+89

LEGEND

- ① EXISTING PAVEMENT MARKING
- ② WET REFLECTIVE TEMPORARY TAPE, - TYPE III, 4 INCH (YELLOW)
- ③ WET REFLECTIVE TEMPORARY TAPE, - TYPE III, 4 INCH (WHITE)
- ④ WET REFLECTIVE TEMPORARY TAPE, - TYPE III, 5 INCH (WHITE)
- ⑤ TEMPORARY PAVEMENT MARKING - LINE 6" (YELLOW) (ON BARRIER)
- ⑥ TEMPORARY PAVEMENT MARKING - LINE 6" (WHITE) (ON BARRIER)
- ⑦ WET REFLECTIVE TEMPORARY TAPE, - TYPE III, 6 INCH (WHITE)
- TEMPORARY CONCRETE BARRIER
- TYPE II BARRIER, DRUM, OR VERTICAL BARRICADE WITH STEADY BURN MONODIRECTIONAL LIGHT
- WORK ZONE

FILE NAME =	DESIGNED - AJP	REVISED -
...prpln-ABC-C1-m1-not-tp-st-2b-01.dgn	DRAWN - TMB	REVISED -
USER NAME = jma_cwaki	CHECKED - JJT	REVISED -
PLOT DATE = 12/16/2009	DATE -	REVISED -

benesch

STATE OF ILLINOIS
DEPARTMENT OF TRANSPORTATION

MAINTENANCE OF TRAFFIC
TYPICAL SECTION - STAGE 2 - EB FLYOVER

SCALE: N.T.S. SHEET NO. 92 OF 115 SHEETS STA. TO STA.

F.A.I. RTE.	SECTION	COUNTY	TOTAL SHEETS	SHEET NO.
*	22X, 1-1, 2&3RS-7	DUPAGE	546	196
*290,355		CONTRACT NO.	60G51	
FED. ROAD DIST. NO.	ILLINOIS	FED. AID PROJECT		