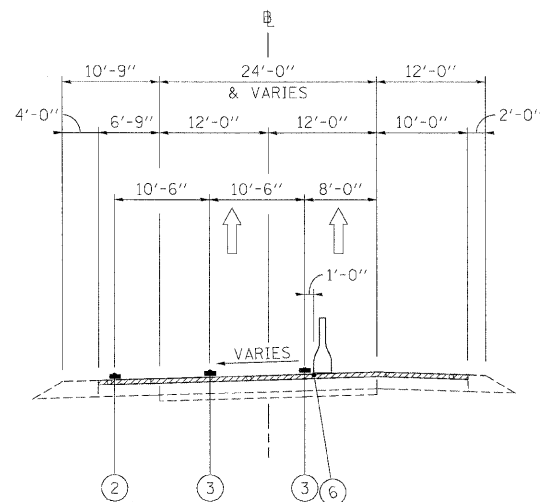


**STAGE 3  
MAINTENANCE OF TRAFFIC  
TYPICAL SECTION**


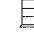

WB FAI 290 TO SB FAI 355 RAMP STA 11+55 TO STA 14+35



**STAGE 3  
MAINTENANCE OF TRAFFIC  
TYPICAL SECTION**

WB FAI 290 TO SB FAI 355 RAMP STA 14+35 TO STA 17+85  
WB FAI 290 TO SB FAI 355 RAMP STA 30+47 TO STA 33+50

**LEGEND**

- ① EXISTING PAVEMENT MARKING
- ② WET REFLECTIVE TEMPORARY TAPE, - TYPE III, 4 INCH (YELLOW)
- ③ WET REFLECTIVE TEMPORARY TAPE, - TYPE III, 4 INCH (WHITE)
- ④ WET REFLECTIVE TEMPORARY TAPE, - TYPE III, 5 INCH (WHITE)
- ⑤ TEMPORARY PAVEMENT MARKING - LINE 6" (YELLOW) (ON BARRIER)
- ⑥ TEMPORARY PAVEMENT MARKING - LINE 6" (WHITE) (ON BARRIER)
- ⑦ WET REFLECTIVE TEMPORARY TAPE, - TYPE III, 8 INCH (WHITE)
-  TEMPORARY CONCRETE BARRIER
-  TYPE II BARRIER, DRUM, OR VERTICAL BARRICADE WITH STEADY BURN MONODIRECTIONAL LIGHT
-  WORK ZONE

FILE NAME =	DESIGNED - AJP	REVISED -
...prop_h_ABC.Cl.mot.tgp.st.3.01.dgn	DRAWN - TMB	REVISED -
USER NAME = tblank	CHECKED - JJT	REVISED -
PLOT DATE = 11/13/2009	DATE = 10/16/09	REVISED -

**benesch**

**STATE OF ILLINOIS  
DEPARTMENT OF TRANSPORTATION**

**MAINTENANCE OF TRAFFIC  
TYPICAL SECTIONS - STAGE 3**

SCALE: N.T.S. SHEET NO. 96 OF 115 SHEETS STA. TO STA.

F.A.I. RTE.	SECTION	COUNTY	TOTAL SHEETS	SHEET NO.
• 290,355	22(1, 1-1, 2&3)RS-7	DUPAGE	546	200
FED. ROAD DIST. NO. ILLINOIS		FED. AID PROJECT CONTRACT NO. 60G51		