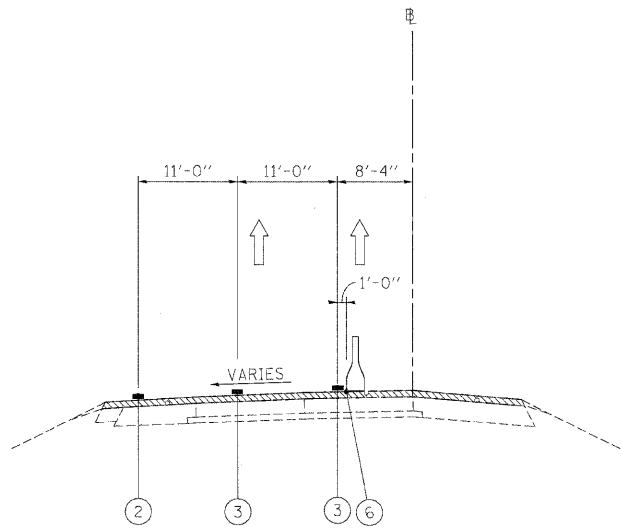


**STAGE 3
MAINTENANCE OF TRAFFIC
TYPICAL SECTION**



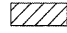
SB FAI 290/355 TO EB FAI 290 STA 29+24 TO STA 32+13
SB FAI 290/355 TO EB FAI 290 STA 15+50 TO STA 49+00



**STAGE 3
MAINTENANCE OF TRAFFIC
TYPICAL SECTION**

SB FAI 290/355 TO EB FAI 290 STA 32+13 TO STA 35+63
SB FAI 290/355 TO EB FAI 290 STA 42+51 TO STA 45+50

LEGEND

- ① EXISTING PAVEMENT MARKING
- ② WET REFLECTIVE TEMPORARY TAPE, - TYPE III, 4 INCH (YELLOW)
- ③ WET REFLECTIVE TEMPORARY TAPE, - TYPE III, 4 INCH (WHITE)
- ④ WET REFLECTIVE TEMPORARY TAPE, - TYPE III, 5 INCH (WHITE)
- ⑤ TEMPORARY PAVEMENT MARKING - LINE 6" (YELLOW) (ON BARRIER)
- ⑥ TEMPORARY PAVEMENT MARKING - LINE 6" (WHITE) (ON BARRIER)
- ⑦ WET REFLECTIVE TEMPORARY TAPE, - TYPE III, 8 INCH (WHITE)
-  TEMPORARY CONCRETE BARRIER
-  TYPE II BARRIER, DRUM, OR VERTICAL BARRICADE WITH STEADY BURN MONODIRECTIONAL LIGHT
-  WORK ZONE

FILE NAME =	DESIGNED - AJP	REVISED -
...\\pripin_abc\cl\m\mot_tyo.st_3_02.dgn	DRAWN - TMB	REVISED -
USER NAME = sblank	CHECKED - JJT	REVISED -
PLDT DATE = 11/13/2009	DATE - 10/16/09	REVISED -

benesch

**STATE OF ILLINOIS
DEPARTMENT OF TRANSPORTATION**

**MAINTENANCE OF TRAFFIC
TYPICAL SECTIONS - STAGE 3**

SCALE: N.T.S. SHEET NO. 97 OF 115 SHEETS STA. TO STA.

F.A.I. RTE.	SECTION	COUNTY	TOTAL SHEETS	SHEET NO.
• 290,355	22(1, 1-1, 2&3)RS-7	DUPAGE	546	201
FED. ROAD DIST. NO.		ILLINOIS FED. AID PROJECT	CONTRACT NO. 60651	