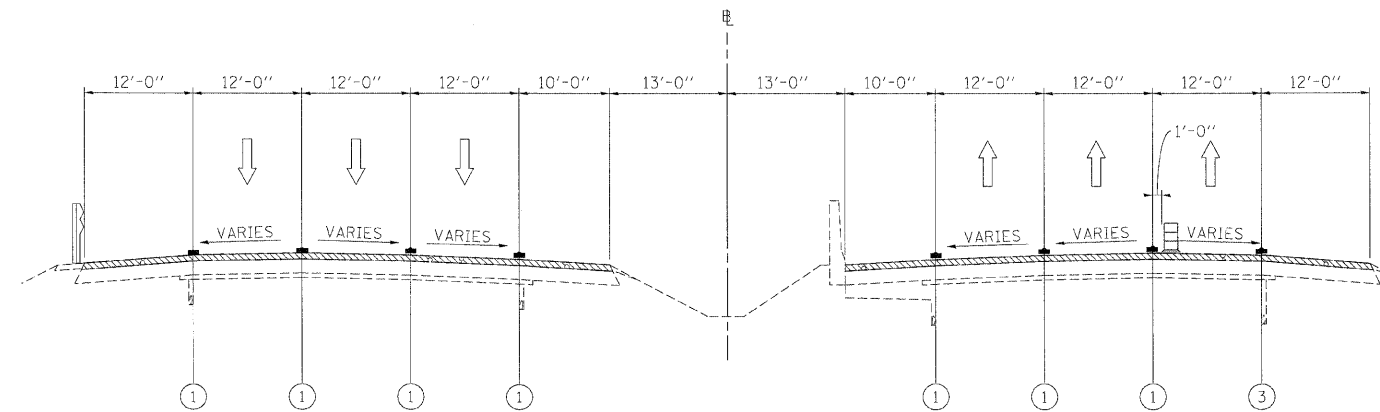


STA 177+00 TO STA 192+58 (FAI 290 WB)

**STAGE 3  
MAINTENANCE OF TRAFFIC  
TYPICAL SECTION**

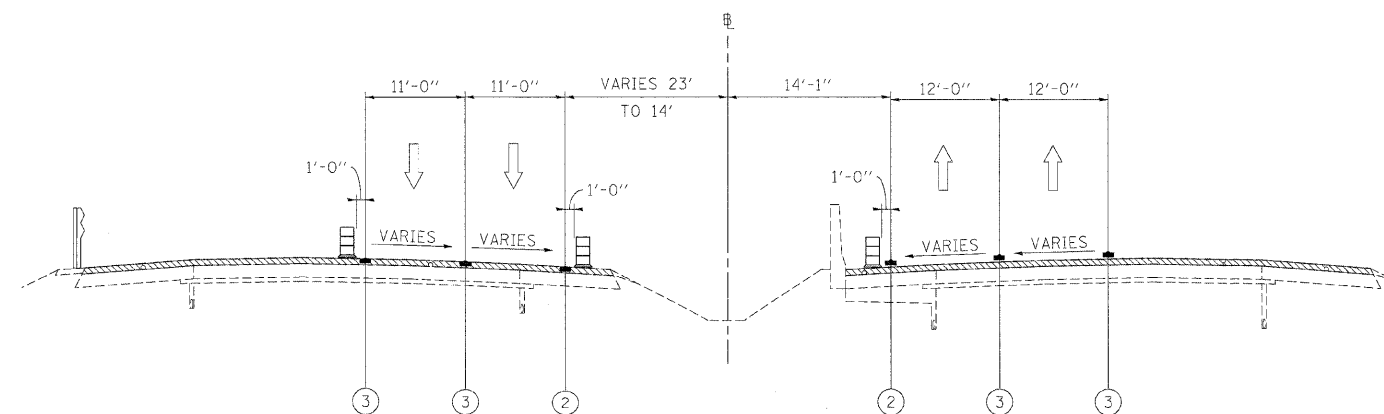
STA 177+00 TO STA 187+00 (FAI 290 EB)



STA 177+00 TO STA 192+58 (FAI 290 WB)

**STAGE 3  
MAINTENANCE OF TRAFFIC  
TYPICAL SECTION**

STA 187+00 TO STA 199+35 (FAI 290 EB)


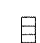
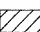


STA 192+58 TO STA 198+08 (FAI 290 WB)

**STAGE 3  
MAINTENANCE OF TRAFFIC  
TYPICAL SECTION**

STA 199+35 TO STA 202+50 (FAI 290 EB)

**LEGEND**

- ① EXISTING PAVEMENT MARKING
- ② WET REFLECTIVE TEMPORARY TAPE, - TYPE III, 4 INCH (YELLOW)
- ③ WET REFLECTIVE TEMPORARY TAPE, - TYPE III, 4 INCH (WHITE)
- ④ WET REFLECTIVE TEMPORARY TAPE, - TYPE III, 5 INCH (WHITE)
- ⑤ TEMPORARY PAVEMENT MARKING - LINE 6" (YELLOW) (ON BARRIER)
- ⑥ TEMPORARY PAVEMENT MARKING - LINE 6" (WHITE) (ON BARRIER)
- ⑦ WET REFLECTIVE TEMPORARY TAPE, - TYPE III, 8 INCH (WHITE)
-  TEMPORARY CONCRETE BARRIER
-  TYPE II BARRIER, DRUM, OR VERTICAL BARRICADE WITH STEADY BURN MONODIRECTIONAL LIGHT
-  WORK ZONE

FILE NAME =	DESIGNED - AJP	REVISED -
...\\pp1n-ABC-CL.m1.met.typ.st.3.83.dgn	DRAWN - TMB	REVISED -
USER NAME = tblank	CHECKED - JJT	REVISED -
PLOT DATE = 11/13/2009	DATE - 10/16/09	REVISED -

**benesch**

**STATE OF ILLINOIS  
DEPARTMENT OF TRANSPORTATION**

**MAINTENANCE OF TRAFFIC  
TYPICAL SECTIONS - STAGE 3**

SCALE: N.T.S. SHEET NO. 98 OF 115 SHEETS STA. TO STA.

F.A.I. RTE.	SECTION	COUNTY	TOTAL SHEETS	SHEET NO.
220, 355	22(1, 1-1, 2&3)RS-7	DUPAGE	546	202
FED. ROAD DIST. NO. [ILLINOIS] FED. AID PROJECT		CONTRACT NO. 60G51		