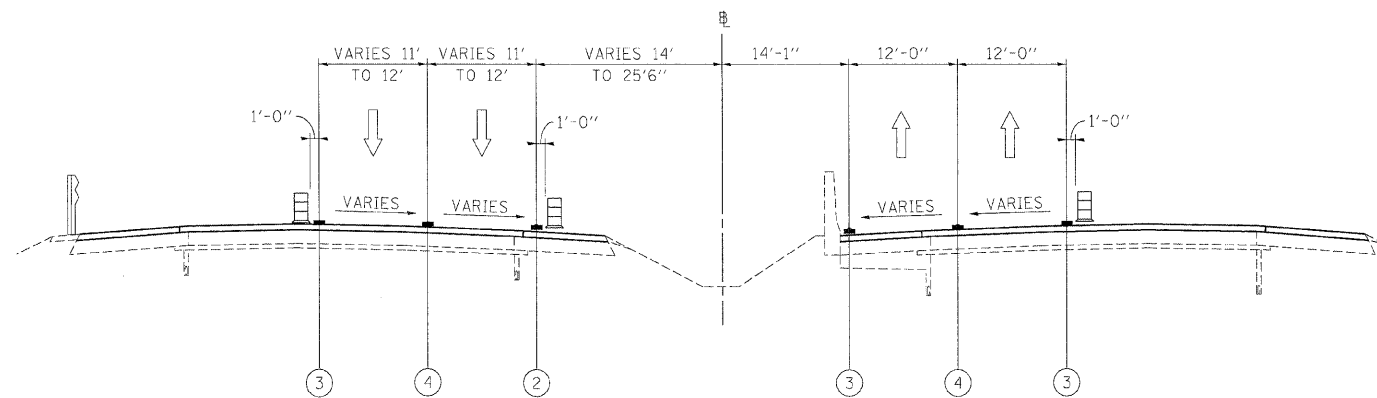


STA 198+08 TO STA 202+86 (FAI 290 WB)
 STA 209+91 TO STA 211+90 (FAI 290 WB)
 BRIDGE OMISSION FROM STA 202+86 TO STA 209+91 (FAI 290 WB)

**STAGE 3
 MAINTENANCE OF TRAFFIC
 TYPICAL SECTION**

STA 202+50 TO STA 203+03 (FAI 290 EB)
 STA 208+12 TO STA 211+10 (FAI 290 EB)
 BRIDGE OMISSION FROM STA 203+03 TO STA 208+12 (FAI 290 EB)



STA 211+90 to STA 216+00 (FAI 290 WB)

**STAGE 3
 MAINTENANCE OF TRAFFIC
 TYPICAL SECTION**

STA 211+10 TO STA 216+40 (FAI 290 EB)

LEGEND

- ① EXISTING PAVEMENT MARKING
- ② WET REFLECTIVE TEMPORARY TAPE, - TYPE III, 4 INCH (YELLOW)
- ③ WET REFLECTIVE TEMPORARY TAPE, - TYPE III, 4 INCH (WHITE)
- ④ WET REFLECTIVE TEMPORARY TAPE, - TYPE III, 5 INCH (WHITE)
- ⑤ TEMPORARY PAVEMENT MARKING - LINE 6" (YELLOW) (ON BARRIER)
- ⑥ TEMPORARY PAVEMENT MARKING - LINE 6" (WHITE) (ON BARRIER)
- ⑦ WET REFLECTIVE TEMPORARY TAPE, - TYPE III, 8 INCH (WHITE)
- TEMPORARY CONCRETE BARRIER
- TYPE II BARRIER, DRUM, OR VERTICAL BARRICADE WITH STEADY BURN MONODIRECTIONAL LIGHT
- WORK ZONE

FILE NAME =	DESIGNED - AJP	REVISED -
...\\prln_abc\dl\ml\mk_tyo.st.3.04.dgn	DRAWN - TMB	REVISED -
USER NAME = tblank	CHECKED - JJT	REVISED -
PLOT DATE = 11/13/2009	DATE - 10/16/09	REVISED -

benesch

**STATE OF ILLINOIS
 DEPARTMENT OF TRANSPORTATION**

**MAINTENANCE OF TRAFFIC
 TYPICAL SECTIONS - STAGE 3**

SCALE: N.T.S. SHEET NO. 99 OF 115 SHEETS STA. TO STA.

F.A.I. RTE.	SECTION	COUNTY	TOTAL SHEETS	SHEET NO.
• 2201, 1-1, 2&3/RS-7		DUPAGE	546	203
• 290, 355		CONTRACT NO. 60C51		
FED. ROAD DIST. NO.	ILLINOIS FED. AID PROJECT			