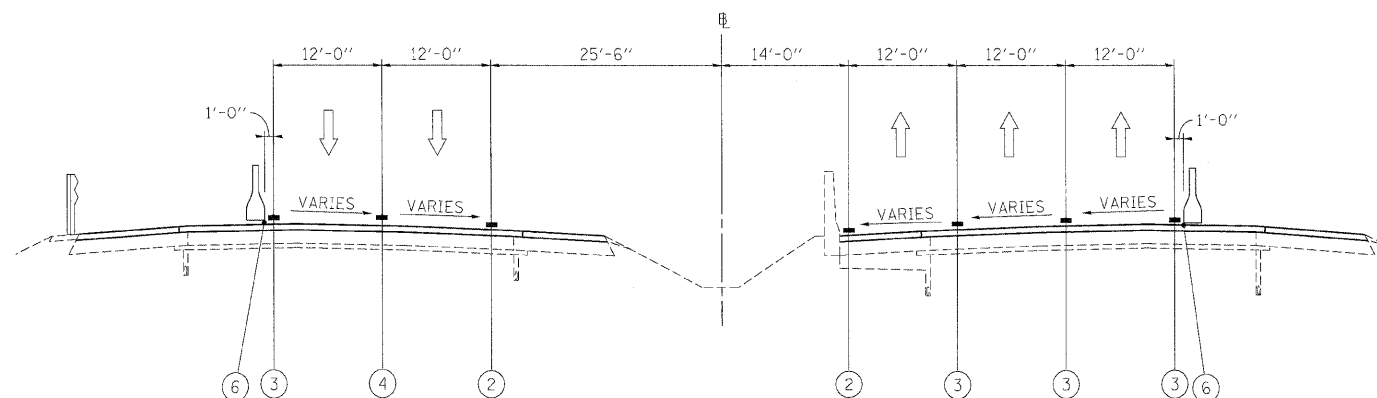


STA 216+00 TO STA 221+92 (FAI 290 WB)

**STAGE 3
MAINTENANCE OF TRAFFIC
TYPICAL SECTION**

STA 216+40 TO STA 220+35 (FAI 290 EB)



STA 226+19 TO STA 229+65 (FAI 290 WB)
BRIDGE OMISSION STA 211+92 TO STA 226+19 (FAI 290 WB)

**STAGE 3
MAINTENANCE OF TRAFFIC
TYPICAL SECTION**

STA 220+35 TO STA 221+34 (FAI 290 EB)
STA 225+84 TO STA 228+85 (FAI 290 EB)
BRIDGE OMISSION STA 221+34 TO STA 225+84 (FAI 290 EB)

LEGEND

- ① EXISTING PAVEMENT MARKING
- ② WET REFLECTIVE TEMPORARY TAPE, - TYPE III, 4 INCH (YELLOW)
- ③ WET REFLECTIVE TEMPORARY TAPE, - TYPE III, 4 INCH (WHITE)
- ④ WET REFLECTIVE TEMPORARY TAPE, - TYPE III, 5 INCH (WHITE)
- ⑤ TEMPORARY PAVEMENT MARKING - LINE 6" (YELLOW) (ON BARRIER)
- ⑥ TEMPORARY PAVEMENT MARKING - LINE 6" (WHITE) (ON BARRIER)
- ⑦ WET REFLECTIVE TEMPORARY TAPE, - TYPE III, 8 INCH (WHITE)
- TEMPORARY CONCRETE BARRIER
- TYPE II BARRIER, DRUM, OR VERTICAL BARRICADE WITH STEADY BURN VONODIRECTIONAL LIGHT
- WORK ZONE

FILE NAME =	DESIGNED - AJP	REVISED -
...\\ppln_abc\cl\ml\mot_tpo.st.3.05.dgn	DRAWN - TMB	REVISED -
USER NAME = tblank	CHECKED - JJT	REVISED -
PLDT DATE = 11/13/2009	DATE - 10/16/09	REVISED -

benesch

**STATE OF ILLINOIS
DEPARTMENT OF TRANSPORTATION**

**MAINTENANCE OF TRAFFIC
TYPICAL SECTIONS - STAGE 3**

SCALE: N.T.S. SHEET NO. 100 OF 115 SHEETS STA. TO STA.

F.A.I. RTE.	SECTION	COUNTY	TOTAL SHEETS	SHEET NO.
• 220, 1-1, 2&3/RS-7	DUPAGE		546	204
• 290, 355	CONTRACT NO. 60G51			
FED. ROAD DIST. NO.	ILLINOIS FED. AID PROJECT			