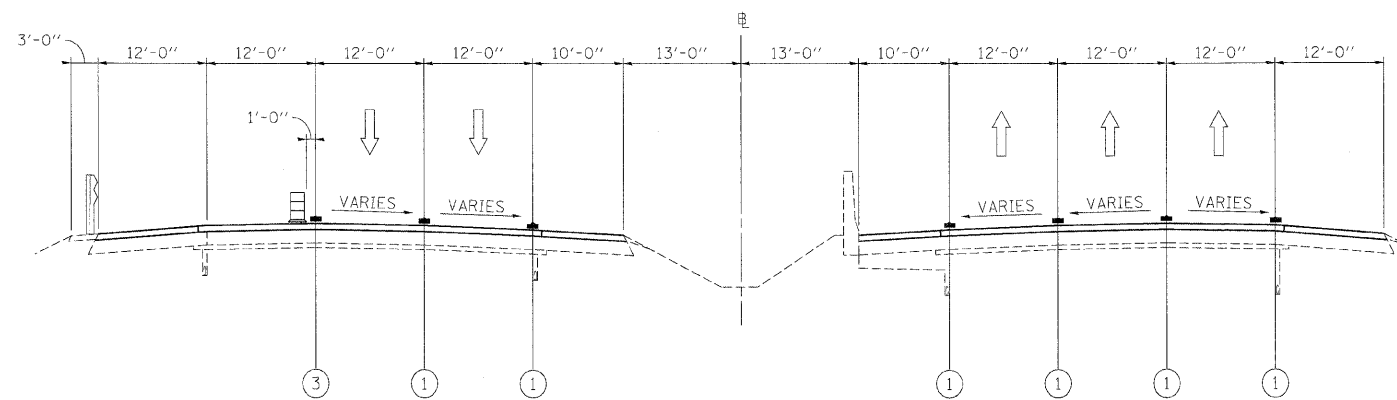


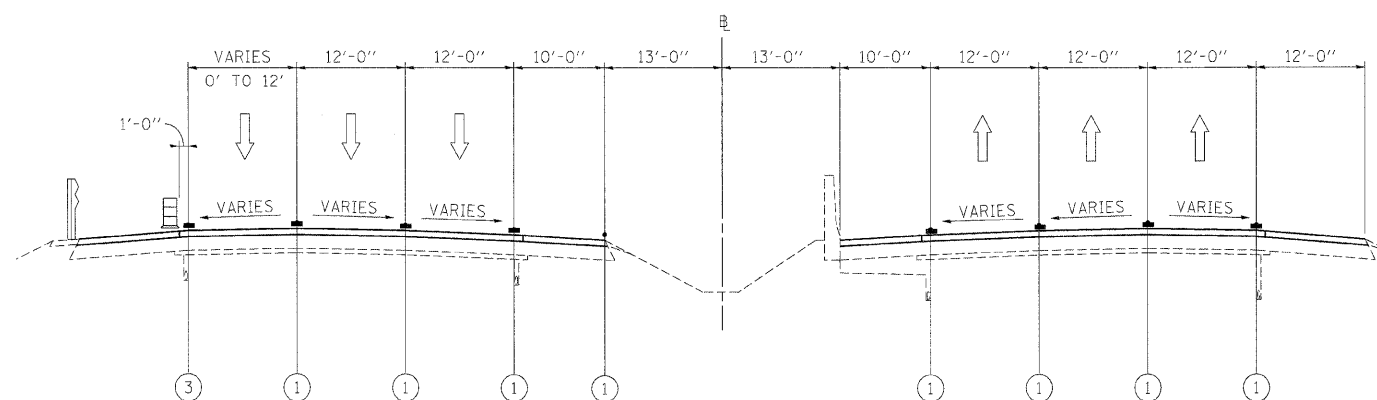
**STAGE 3
MAINTENANCE OF TRAFFIC
TYPICAL SECTION**

STA 229+65 TO STA 230+55 (FAI 290 WB) STA 228+85 TO STA 232+50 (FAI 290 EB)



**STAGE 3
MAINTENANCE OF TRAFFIC
TYPICAL SECTION**



STA 230+55 TO STA 240+55 (FAI 290 WB) STA 232+49 TO STA 240+55 (FAI 290 EB)



**STAGE 3
MAINTENANCE OF TRAFFIC
TYPICAL SECTION**

STA 240+55 TO STA 250+55 (FAI 290 WB) STA 240+55 TO STA 250+55 (FAI 290 EB)

LEGEND

- ① EXISTING PAVEMENT MARKING
- ② WET REFLECTIVE TEMPORARY TAPE, - TYPE III, 4 INCH (YELLOW)
- ③ WET REFLECTIVE TEMPORARY TAPE, - TYPE III, 4 INCH (WHITE)
- ④ WET REFLECTIVE TEMPORARY TAPE, - TYPE III, 5 INCH (WHITE)
- ⑤ TEMPORARY PAVEMENT MARKING - LINE 6" (YELLOW) (ON BARRIER)
- ⑥ TEMPORARY PAVEMENT MARKING - LINE 6" (WHITE) (ON BARRIER)
- ⑦ WET REFLECTIVE TEMPORARY TAPE, - TYPE III, 8 INCH (WHITE)
-  TEMPORARY CONCRETE BARRIER
-  TYPE II BARRIER, DRUM, OR VERTICAL BARRICADE WITH STEADY BURN VONODIRECTIONAL LIGHT
-  WORK ZONE

FILE NAME =	DESIGNED - AJP	REVISED -
...\\pp\p\h_rbc\cl_m1_mot_tsp.st.3.06.dgn	DRAWN - TMB	REVISED -
USER NAME = tblank	CHECKED - JJT	REVISED -
PLOT DATE = 11/13/2009	DATE - 10/16/09	REVISED -

benesch

**STATE OF ILLINOIS
DEPARTMENT OF TRANSPORTATION**

**MAINTENANCE OF TRAFFIC
TYPICAL SECTIONS - STAGE 3**

SCALE: N.T.S. SHEET NO. 101 OF 115 SHEETS STA. TO STA.

F.A.I. RTE.	SECTION	COUNTY	TOTAL SHEETS	SHEET NO.
290	22(1, 1-1, 2&3)RS-7	DUPAGE	546	205
*290,355			CONTRACT NO. 60G51	
FED. ROAD DIST. NO. [ILLINOIS] FED. AID PROJECT				