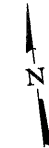


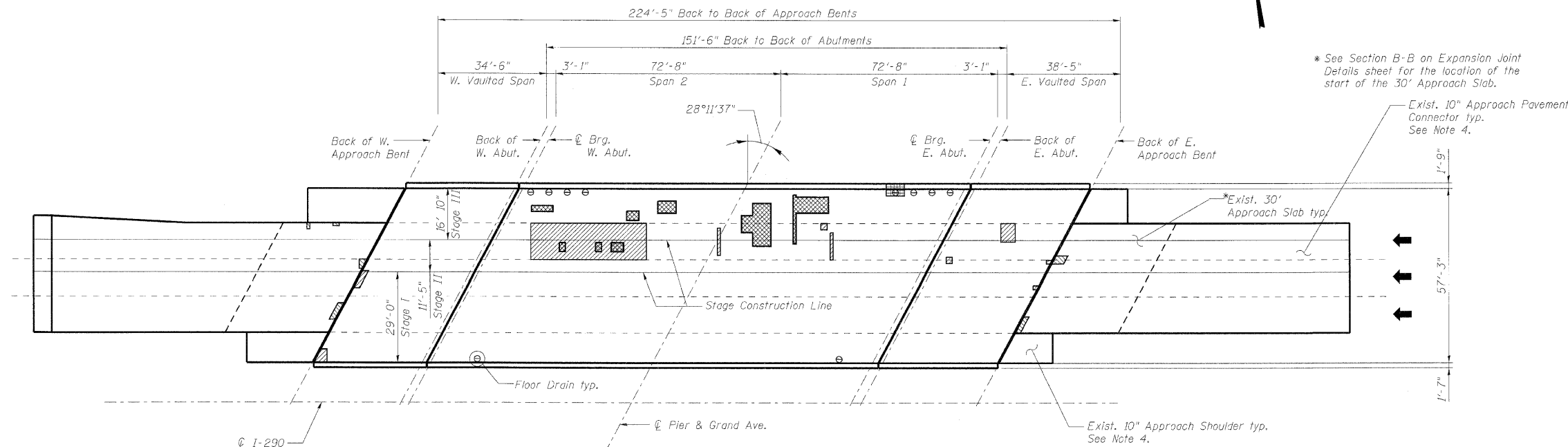
STATE OF ILLINOIS
DEPARTMENT OF TRANSPORTATION



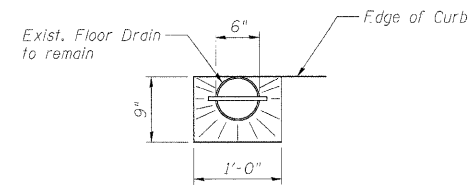
BILL OF MATERIAL

SYMBOL	ITEM	UNIT	QUANTITY
	Deck Slab Repair (Partial)	Sq. Yd.	179.9*
	Deck Slab Repair (Full Depth - Type I)	Sq. Yd.	16.5
	Deck Slab Repair (Full Depth - Type II)	Sq. Yd.	39.2
	Cleaning & Painting Exposed Rebar (Special)	Sq. Ft.	48
	Approach Slab Repair (Partial Depth)	Sq. Yd.	9:3
	Protective Shield	Sq. Yd.	1,043
	Bridge Deck Hydro-Scarification, 2 1/4"	Sq. Yd.	1,359
	Bridge Deck Latex Concrete Overlay, 2 1/4"	Sq. Yd.	1,359
	Protective Coat	Sq. Yd.	1,422
	Bridge Deck Grooving	Sq. Yd.	1,320

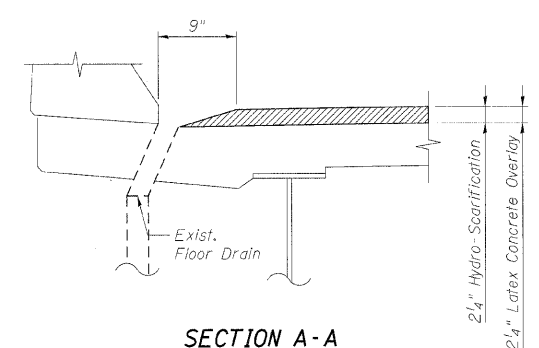
* For information only to assist the Contractor in bidding.
See Special Provisions for "Bridge Deck Latex Concrete Overlay".



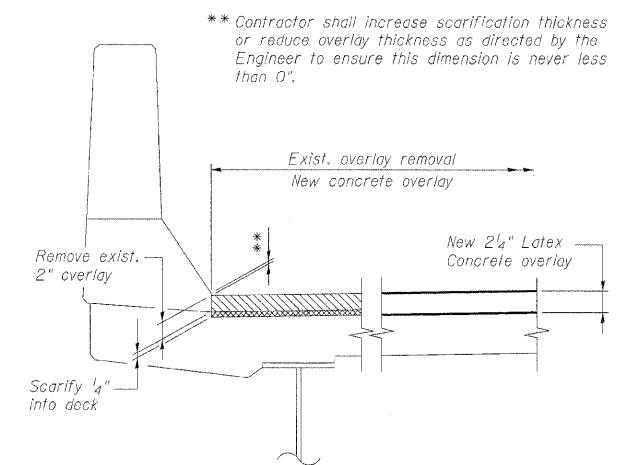
PLAN



PLAN



SECTION A-A
CONCRETE OVERLAY AT FLOOR DRAIN



SCARIFICATION & OVERLAY
DETAIL AT PARAPET

Notes:

- Deck and approach slab repair areas are estimated based on visual inspection completed in June 2009. Actual repair areas and locations shall be determined by the Engineer and shown on As-Built plans.
- Protective Shield, required for deck slab and/or parapet repairs, shall be installed according to Article 501.03 of the Standard Specifications. For limits of Protective Shield, see General Plan and Elevation sheet.
- Deck drains (downspouts, floor drains, and scuppers) shall be cleaned prior to placement of the Latex Concrete Overlay. Cost of cleaning the deck drains is included in Bridge Deck Hydro-Scarification, 2 1/4".
- The Engineer shall determine the type and quantity of Class A patching and the quantity of Mixture for Cracks, Joints and Flangeways. Estimated quantities are included in the overall Summary of Quantities in Roadway Plans.
- Gaps caused by distress around floor drains shall be filled with epoxy as specified in the Special Provision "Epoxy Injection". Cost included with Bridge Deck Latex Concrete Overlay, 2 1/4".

BRIDGE DECK, VAULTED SPAN
AND APPROACH SLAB REPAIRS
STRUCTURE NO. 022-0101

DESIGNED	MFB
CHECKED	KWS
DRAWN	RMG
CHECKED	KWS

benesch

alfred benesch & company
Engineers • Surveyors • Planners
205 North Michigan Avenue, Suite 2400
Chicago, Illinois 60601
312-566-0450 Job No. 10050

SHEET NO. 4	F.A.I. RTE.	SECTION	COUNTY	TOTAL SHEETS	SHEET NO.
	290	22(1, 1-1, 2&3)RS-7	DUPAGE	546	284
9 SHEETS	CONTRACT NO. 60G51				
FED. ROAD DIST. NO.		ILLINOIS	FED. AID PROJECT		

x:\100000s\10050\engineering-documents\contract-1\SN.022-0101_0102_Grand-Ave\0101-0102-Gr-and-Ave\0101-0102-deckrepair.dgn 18:01:13 11/12/2009