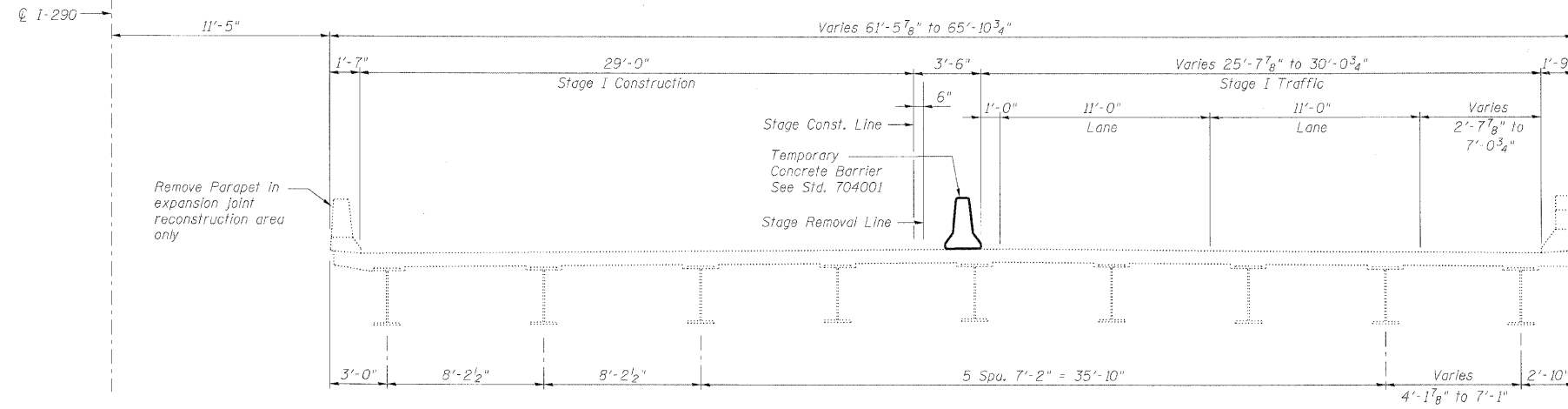
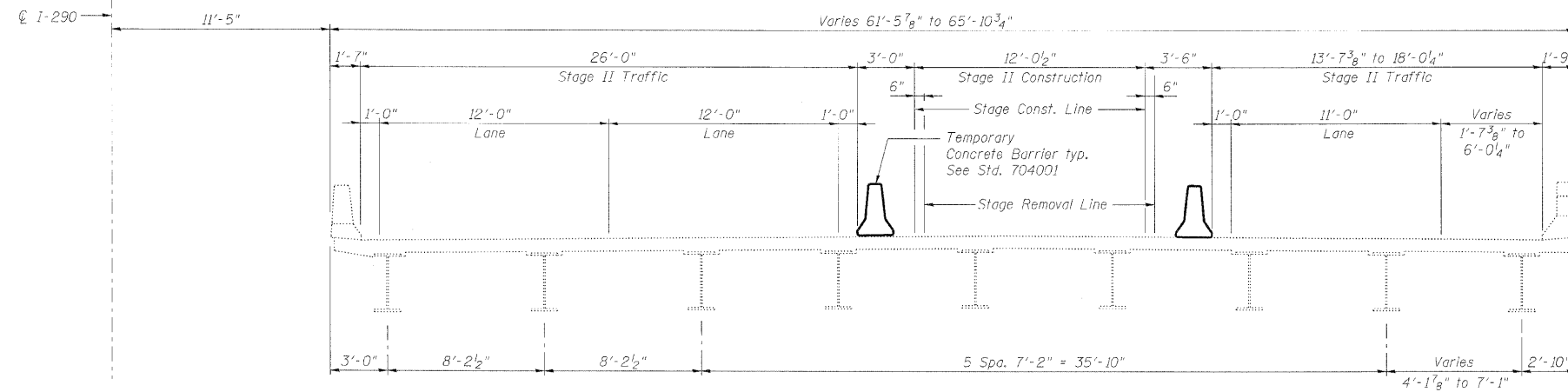


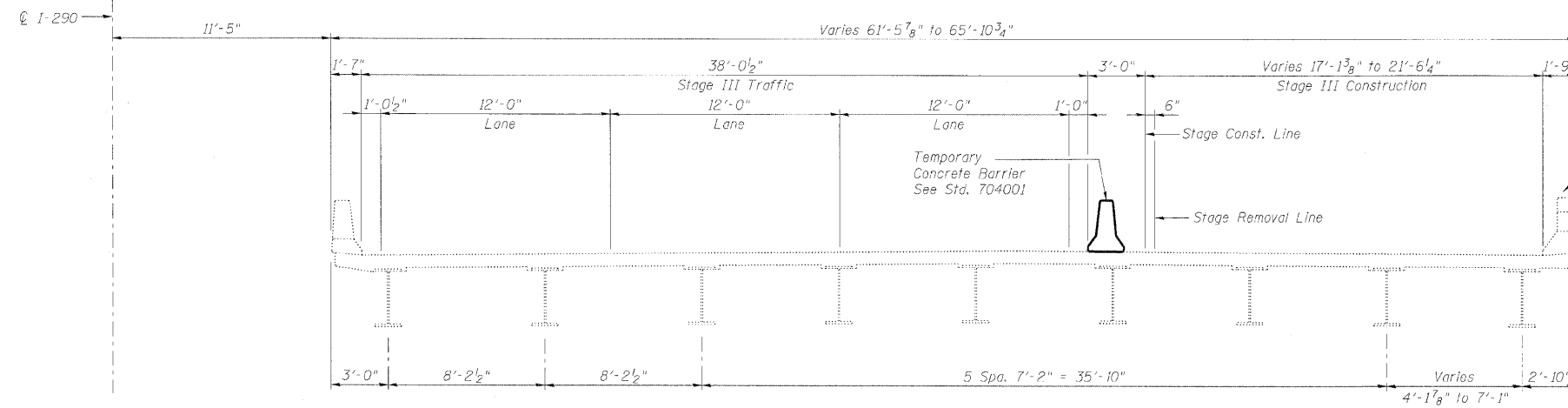
STATE OF ILLINOIS
DEPARTMENT OF TRANSPORTATION



STAGE I CROSS SECTION
(Looking East)



STAGE II CROSS SECTION
(Looking East)



STAGE III CROSS SECTION
(Looking East)

Remove Parapet in expansion joint reconstruction area only

Remove Parapet in expansion joint reconstruction area only

Note:
For quantity of Temporary Concrete Barrier, see roadway plans.

STAGE CONSTRUCTION DETAILS
STRUCTURE NO. 022-0102

DESIGNED	MFB
CHECKED	MAC
DRAWN	TMB/VH
CHECKED	KWS

benesch

alfred benesch & company
Engineers • Surveyors • Planners
205 North Michigan Avenue, Suite 2400
Chicago, Illinois 60601
312-565-0450 Job No. 10050

SHEET NO. 3 10 SHEETS	F.A.I. RTE. 290	SECTION 22(1, 1-1, 2&3)RS-7	COUNTY DUPAGE	TOTAL SHEETS 546	SHEET NO. 292
	CONTRACT NO. 60G51			FED. ROAD DIST. NO. ILLINOIS FED. AID PROJECT	