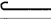
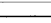
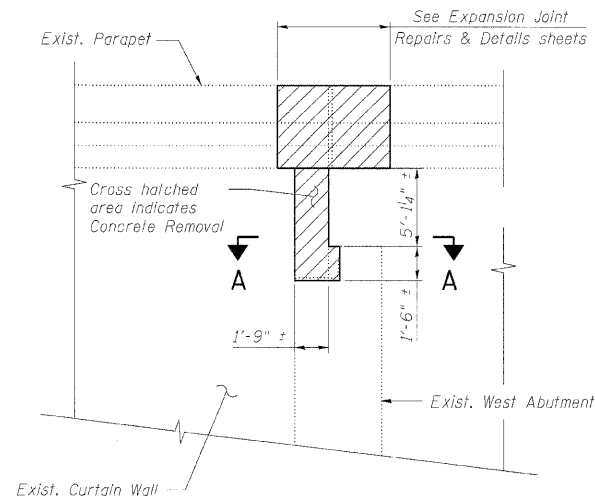


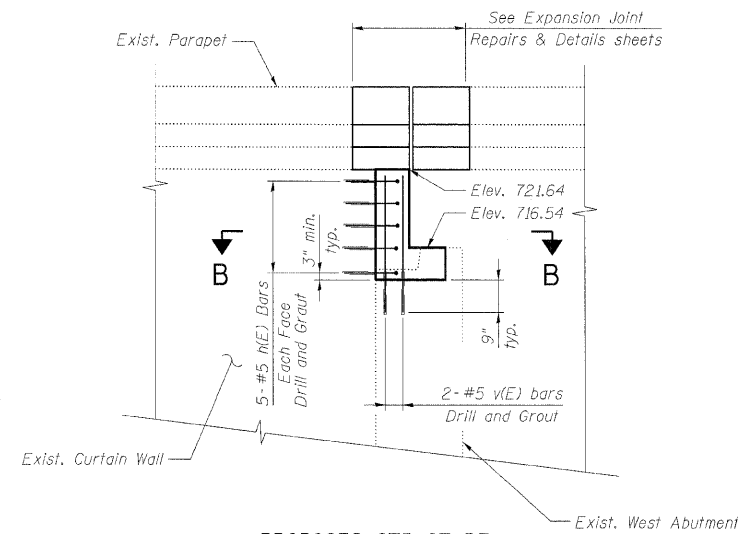
STATE OF ILLINOIS
DEPARTMENT OF TRANSPORTATION

BILL OF MATERIAL

BAR	NO.	SIZE	LENGTH	SHAPE
h(E)	10	#5	2'-9"	
v(E)	2	#5	7'-3"	
ITEM	UNIT	TOTAL		
Concrete Removal	Cu. Yd.	0.4		
Concrete Structures	Cu. Yd.	0.4		
Reinforcement Bars, Epoxy Coated	Pound	50		

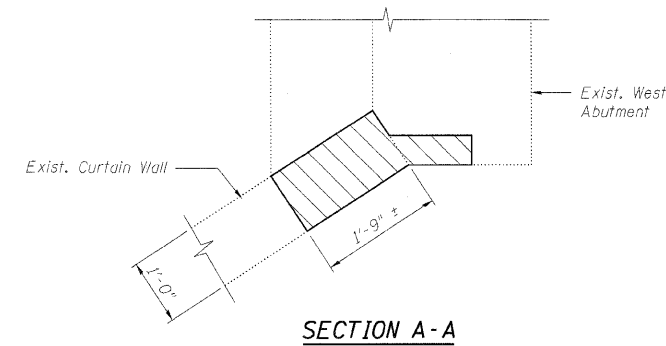


EXISTING STRUCTURE

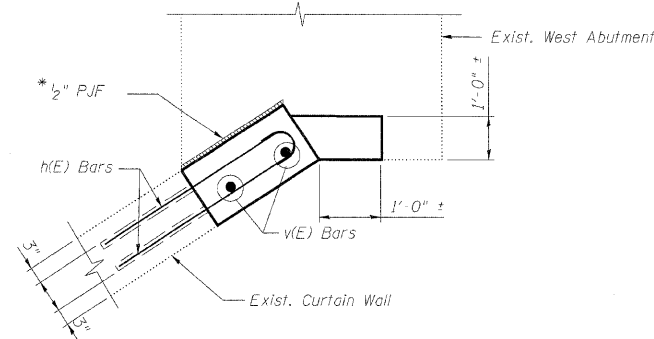


PROPOSED STRUCTURE

WEST ABUTMENT REPAIRS
(Looking North)

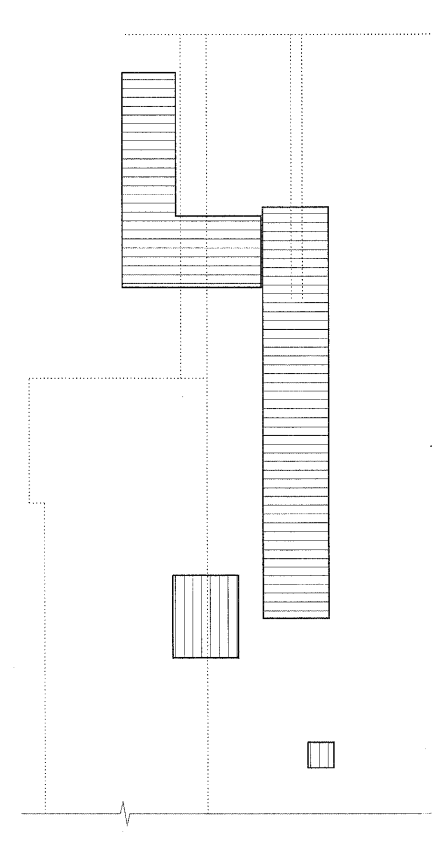


SECTION A-A





SECTION B-B

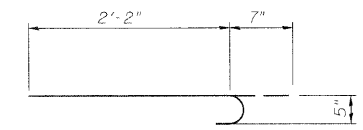
*Cost included with Concrete Structures



EAST ABUTMENT REPAIRS
(Looking North)

BILL OF MATERIAL

SYMBOL	ITEM	UNIT	QUANTITY
	Structural Repair of Concrete (Depth Equal to or Less than 5")	Sq. Ft.	4
	Structural Repair of Concrete (Depth Greater than 5")	Sq. Ft.	13



Bar h(E)

Notes:

- Existing reinforcement bars extending into the removal shall be cleaned, straightened and incorporated into the new construction. Any reinforcement bars that are damaged during concrete removal shall be replaced with an approved bar splicer or anchorage system. Cost included with "Concrete Removal." Any existing reinforcement deemed unsatisfactory by the Engineer shall be replaced per Section 109.04 of the Standard Specification.
- Repair areas are estimated based upon visual inspection in June 2009. Actual repair areas shall be determined by the Engineer and shown on As-Built plans.
- The Contractor shall exercise extreme care with the existing conduits located near the repair areas. The Contractor will be required to repair any damage done to the conduit to the satisfaction of the Engineer, at no additional cost to the Department. No splicing will be allowed to any cable damage resulting from this work, instead the Contractor will be required to repair the entire span of any damaged cable at no additional cost to the Department.
- Drilling and grouting bars shall be performed according to Article 584 of the Std. Specs. Cost included with Reinforcement Bars, Epoxy Coated.

DESIGNED	KWS
CHECKED	MFB
DRAWN	RMC
CHECKED	KWS

benesch

alfred benesch & company
Engineers • Surveyors • Planners
205 North Michigan Avenue, Suite 2400
Chicago, Illinois 60601
312-566-0460 Job No. 10050

SUBSTRUCTURE REPAIRS
STRUCTURE NO. 022-0102

SHEET NO. 8	F.A.I. RTE.	SECTION	COUNTY	TOTAL SHEETS	SHEET NO.
	290	22(1, 1-1, 2&3)RS-7	DUPAGE	546	297
10 SHEETS	CONTRACT NO. 60G51				
FED. ROAD DIST. NO. ILLINOIS FED. AID PROJECT					