

STATE OF ILLINOIS  
DEPARTMENT OF TRANSPORTATION

**GENERAL NOTES**

- Reinforcement bars shall conform to the requirements of ASTM A 706 Gr 60. See Special Provisions.
- Reinforcement bars designated (E) shall be epoxy coated.
- Prior to pouring the new concrete deck, all heavy or loose rust, loose mill scale, and other loose or potentially detrimental foreign material shall be removed from the surfaces in contact with concrete. Tightly adhered paint may remain unless otherwise noted. Removal shall be accomplished by methods that will not damage the steel and the cost will be included in the pay item covering removal of the existing concrete.  
As directed by the Engineer, existing construction accessories welded to the top flange of beams and girders shall be removed. The weld areas shall be ground flush and inspected for cracks using magnetic particle testing (MT) or dye penetrant testing (PT) by qualified personnel approved by the Engineer. Any cracks that cannot be removed by grinding 1/4 inch deep shall be identified and reported to the Bureau of Bridges and Structures for further disposition. The cost of removing welded accessories, grinding and inspecting weld areas and grinding cracks will be paid for according to Article 109.04 of the Standard Specifications.
- Plan dimensions and details relative to existing plans are subject to nominal construction variations. The Contractor shall field verify existing dimensions and details affecting new construction and make necessary approved adjustments prior to construction or ordering of materials. Such variations shall not be cause for additional compensation for a change in scope of the work, however, the Contractor will be paid for the quantity actually furnished at the unit price bid for the work.
- Concrete Sealer shall be applied to the parapets, 30' approach slabs, abutment seats and abutment backwalls. All surfaces to be sealed shall be cleaned thoroughly prior to sealer application. Cost included with Concrete Sealer.
- The existing structural steel coating contains lead. The Contractor shall take appropriate precautions to deal with the presence of lead on this project.
- Stage construction shall be utilized to maintain traffic during construction.
- The Contractor shall exercise care during removal of existing joints to ensure that the slab, beams and diaphragms' integrity will not be detrimentally impacted. The Contractor shall repair any damage(s) to the slab, beams and diaphragms caused by his operation as directed by the Engineer at no additional cost to the Department.
- Protective Coat shall be applied only to the new Bridge Deck Latex Concrete Overlay.
- Joint openings shall be adjusted according to Article 520.04 of the Std. Specs. when the deck is poured at an ambient temperature other than 50°F.

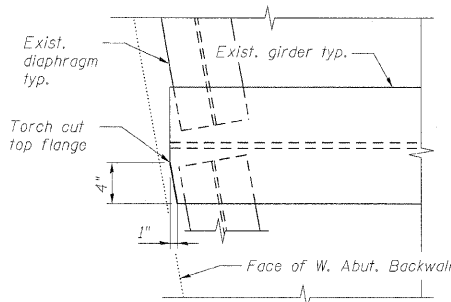
**INDEX OF SHEETS**

- General Plan and Elevation
- General Notes, Bill of Material and Index of Sheets
- Stage Construction Details
- Bridge Deck and Approach Slab Repairs
- Expansion Joint Repairs
- Expansion Joint Details
- Preformed Joint Strip Seal
- Substructure Repairs
- Bar Splicer Assembly Details

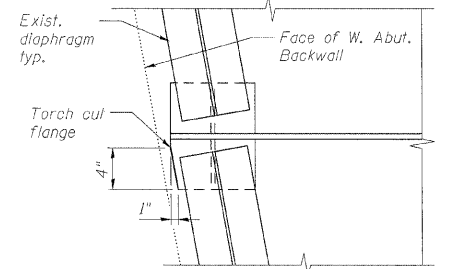
**\*\* TOTAL BILL OF MATERIAL**

ITEM	UNIT	SUPER	SUB	TOTAL
Concrete Removal	Cu. Yd.	23.6		23.6
Protective Shield	Sq. Yd.	2,443		2,443
Concrete Superstructure	Cu. Yd.	23.6		23.6
Bridge Deck Grooving	Sq. Yd.	2,121		2,121
Protective Coat	Sq. Yd.	2,234		2,234
Reinforcement Bars, Epoxy Coated	Pound	2,450		2,450
Bar Splicers	Each	44		44
Preformed Joint Strip Seal	Foot	143.0		143.0
Concrete Sealer	Sq. Ft.	5,588	840	6,428
Bridge Deck Latex Concrete Overlay, 2 1/4"	Sq. Yd.	2,187		2,187
Structural Repair of Concrete (Depth Equal to or Less than 5 Inches)	Sq. Ft.		76	76
Approach Slab Repair (Partial Depth)	Sq. Yd.	5.0		5.0
Bridge Deck Hydro-Scarification, 2 1/4"	Sq. Yd.	2,187		2,187
Deck Slab Repair (Full Depth, Type I)	Sq. Yd.	98.0		98.0
Deck Slab Repair (Full Depth, Type II)	Sq. Yd.	40.0		40.0
Cleaning and Painting Exposed Rebar (Special)	Sq. Ft.	50		50
Clean and Reseal Relief Joint	Foot	106.0		106.0
Clip Existing Beam Flange	Each	3		3

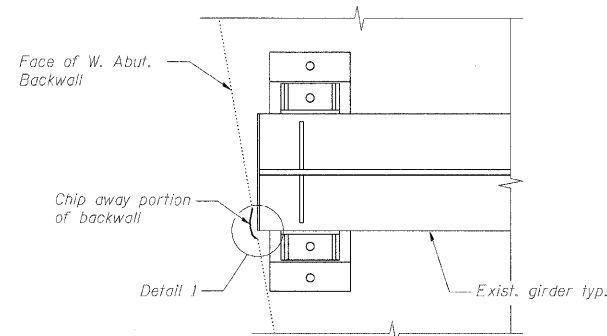
\*\* See sheets 317A thru 317C for Structural Steel Repair Details, Pay Items and Quantities.



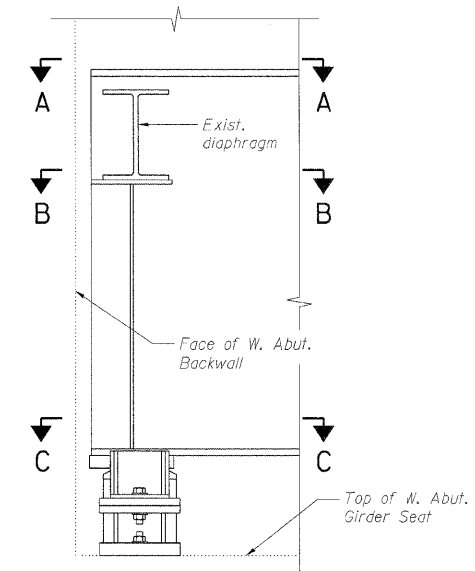
**SECTION A-A**



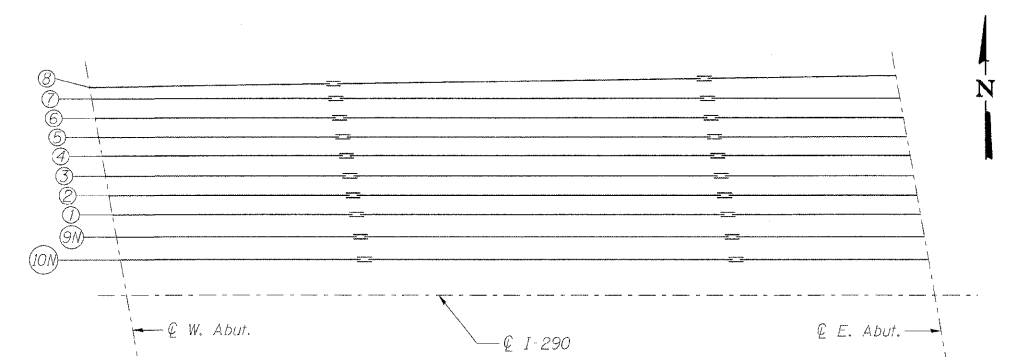
**SECTION B-B**



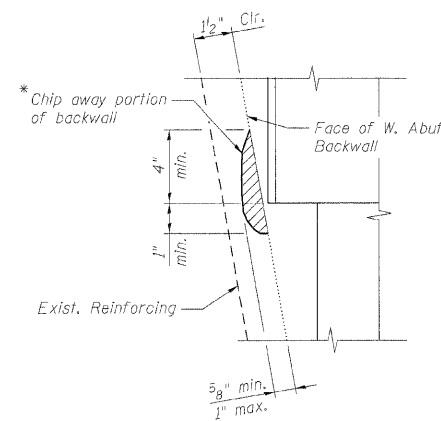
**SECTION C-C**



**GIRDER ELEVATION**



**EXISTING FRAMING PLAN**



**DETAIL 1**

Chipping of backwall shall be performed prior to application of Concrete Sealer on the abutment backwall.

\* Cost included with Clip Existing Beam Flange.

DESIGNED -	MFB
CHECKED -	KWS
DRAWN -	RMG
CHECKED -	KWS

**GIRDER FLANGE CLIPPING DETAILS**

At West Abutment - 3 thus (Girders 7, 8 & 10N)

Cut surfaces shall be ground smooth, spot cleaned, and painted with an aluminum epoxy mastic primer followed by a finish coat to match the color of the existing beam. Paint shall be applied per the requirements of Paint System 2, according to the Special Provision "Cleaning and Painting Existing Steel Structures". Cost Included with Clip Existing Beam Flange. See Special Provision for "Clip Existing Beam Flange".

**benesch**

alfred benesch & company  
Engineers • Surveyors • Planners  
205 North Michigan Avenue, Suite 2400  
Chicago, Illinois 60601  
312-566-0450 Job No. 10050

**GENERAL NOTES, BILL OF MATERIAL  
AND INDEX OF SHEETS  
STRUCTURE NO. 022-0097**

SHEET NO. 2	F.A.I. RTE.	SECTION	COUNTY	TOTAL SHEETS	SHEET NO.
	290/355	22(1, 1-1, 2&3)RS-7	DUPAGE	546	301
9 SHEETS	CONTRACT NO. 60G51				
FED. ROAD DIST. NO.		ILLINOIS	FED. AID PROJECT		