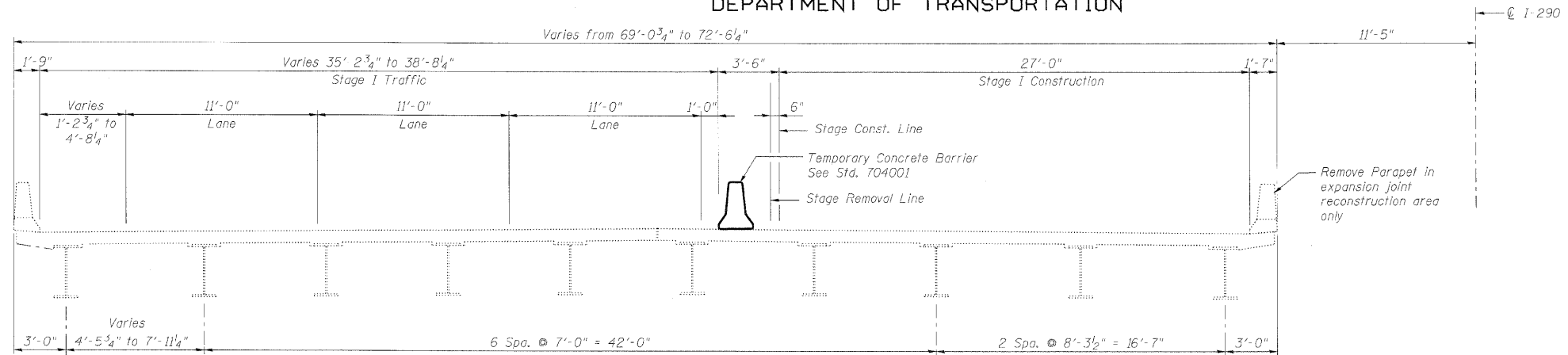
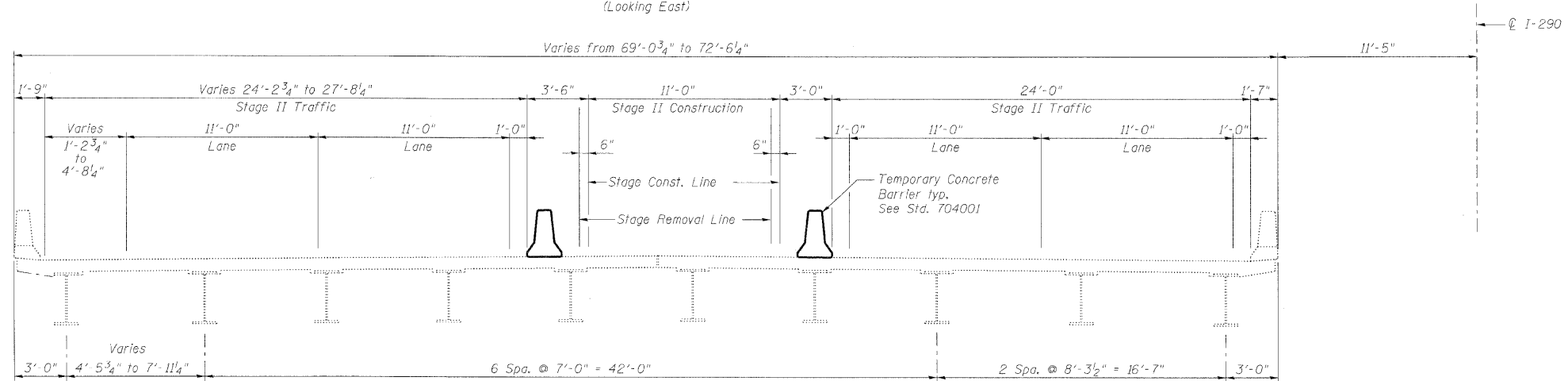


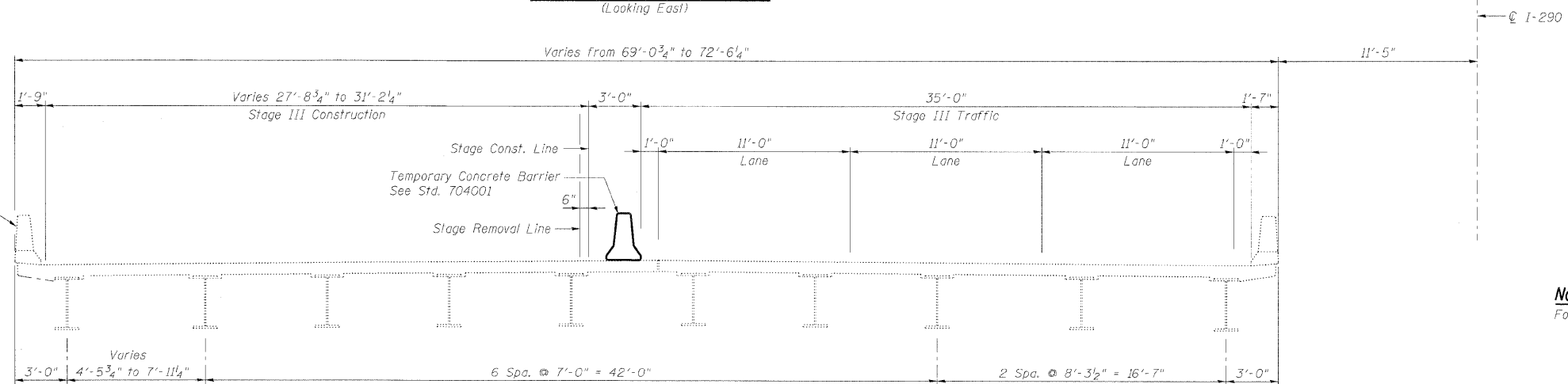
STATE OF ILLINOIS
DEPARTMENT OF TRANSPORTATION



STAGE I CROSS SECTION
(Looking East)



STAGE II CROSS SECTION
(Looking East)



STAGE III CROSS SECTION
(Looking East)

Note:
For quantity of Temporary Concrete Barrier, see roadway plans.

STAGE CONSTRUCTION DETAILS
STRUCTURE NO. 022-0097

DESIGNED -	MFB
CHECKED -	MAC
DRAWN -	RMG/VH
CHECKED -	KWS

benesch

alfred benesch & company
Engineers • Surveyors • Planners
205 North Michigan Avenue, Suite 2400
Chicago, Illinois 60601
312-565-0450 Job No. 10060

SHEET NO. 3	F.A.I. RTE.	SECTION	COUNTY	TOTAL SHEETS	SHEET NO.
	290 355	22(1, 1-1, 2&3)RS-7	DUPAGE	546	302
9 SHEETS	CONTRACT NO. 60G51				
FED. ROAD DIST. NO.		ILLINOIS	FED. AID PROJECT		