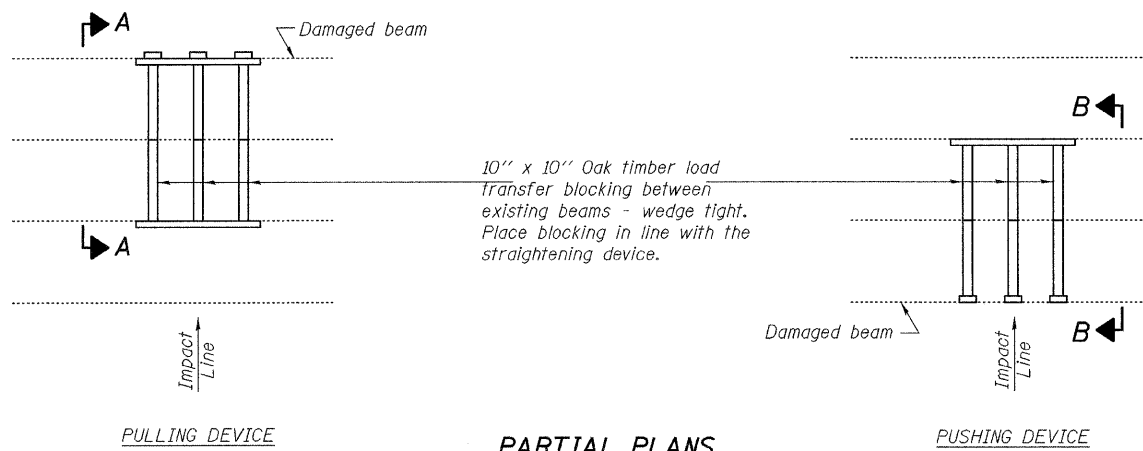
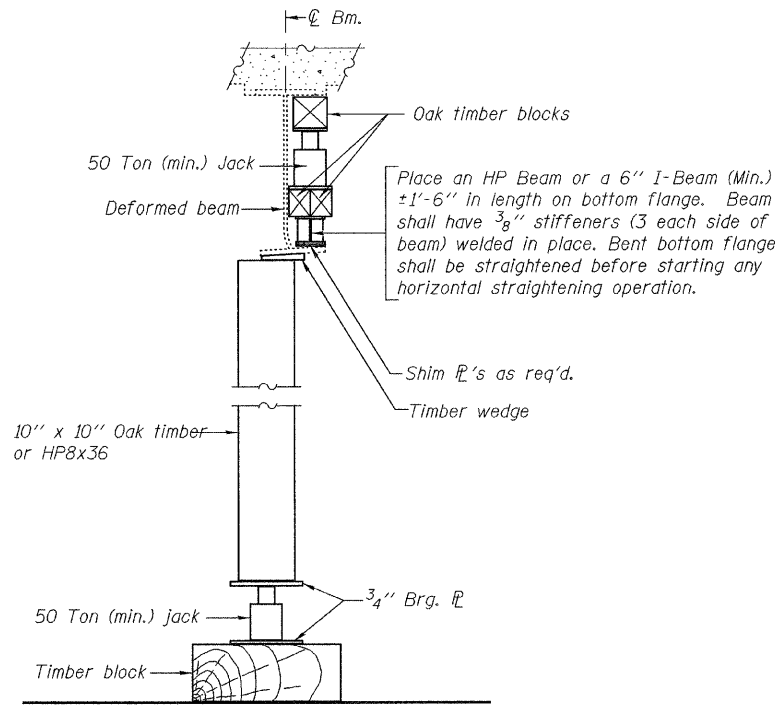


STATE OF ILLINOIS
DEPARTMENT OF TRANSPORTATION

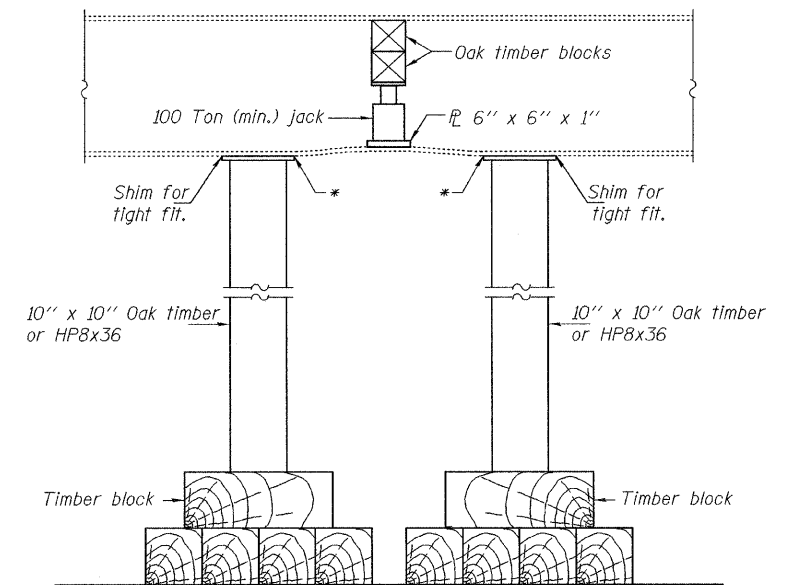


PARTIAL PLANS
SUGGESTED BEAM STRAIGHTENING METHODS

Straightening force shall be maintained on all load transfer blocking during beam straightening.



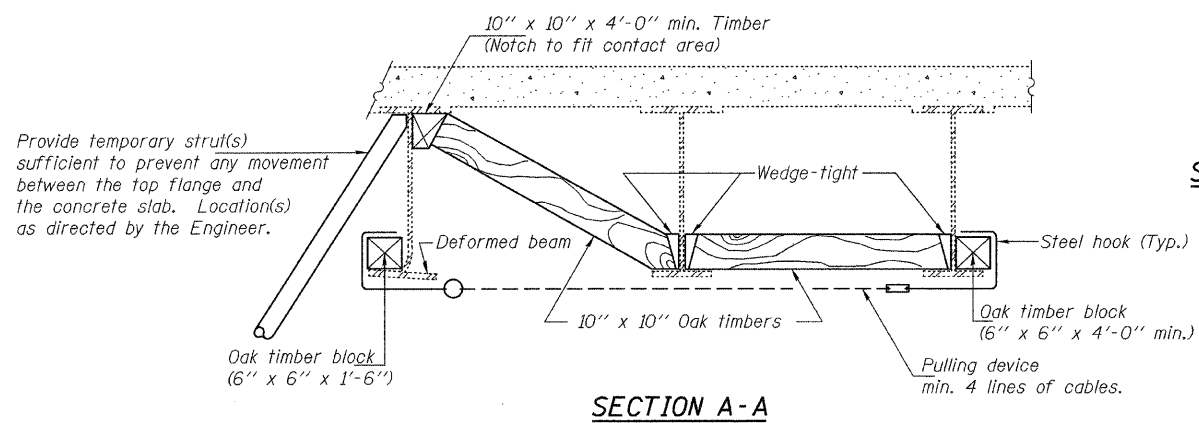
SUGGESTED VERTICAL STRAIGHTENING DETAIL
(To correct flange rotation.)



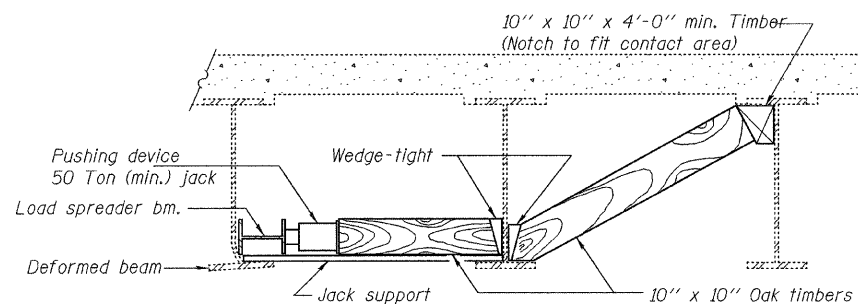
SUGGESTED VERTICAL STRAIGHTENING DETAIL
(To correct localized vertical flange deformations.)

* Edge of plate shall line up with edge of deformation.

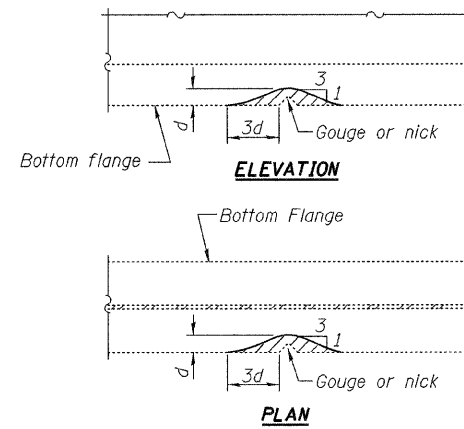
Note:
Braces and jack assembly shall be placed on same side of web.
Bent bottom flange shall be straightened before starting any horizontal straightening operations.



SECTION A-A



SECTION B-B

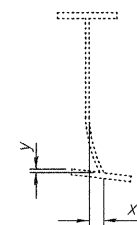


GRINDING DETAIL

Grind existing nicks, gouges and shallow cracks in the damaged beams as detailed. Ground surfaces shall be inspected for cracks using magnetic particle testing prior to initiating any beam straightening operations. Any cracks that cannot be removed by grinding approximately 1/4" deep shall be identified and reported to the Bureau of Bridges and Structures for further disposition. Ground surfaces shall be spot cleaned and painted with an aluminum epoxy mastic primer followed by a finish coat to match the color of the existing beam. Cost of grinding, testing and spot painting included with Beam Straightening.

DIMENSION TABLE

BM #	"X"	"Y"	"L"
8	2 1/8"	2 1/2"	25'
10S	2 3/8"	1 1/8"	10'



EXISTING DEFORMATION TO BE STRAIGHTENED

(Looking East)
(Approximate max. deflections)
Deflected length of beam to be straightened is approximately "L".

DESIGNED	AJB
CHECKED	ATH
DRAWN	Kyle M. Steffen
CHECKED	AJB ATH

OCTOBER 13, 2009
EXAMINED *Carl P... ENGINEER OF STRUCTURAL SERVICES*
PASSED *Ralph E. Anderson ENGINEER OF BRIDGES AND STRUCTURES*

BEAM STRAIGHTENING DETAILS
SN 022-0096 & 0097

SHEET NO. 2 3 SHEETS	F.A.I. RTE. 290 355	SECTION 22(1,1-1, 2 & 3)RS-7	COUNTY DuPAGE	TOTAL SHEETS 546	SHEET NO. 317B
	CONTRACT NO. 60G51				
FED. ROAD DIST. NO.		ILLINOIS	FED. AID PROJECT		