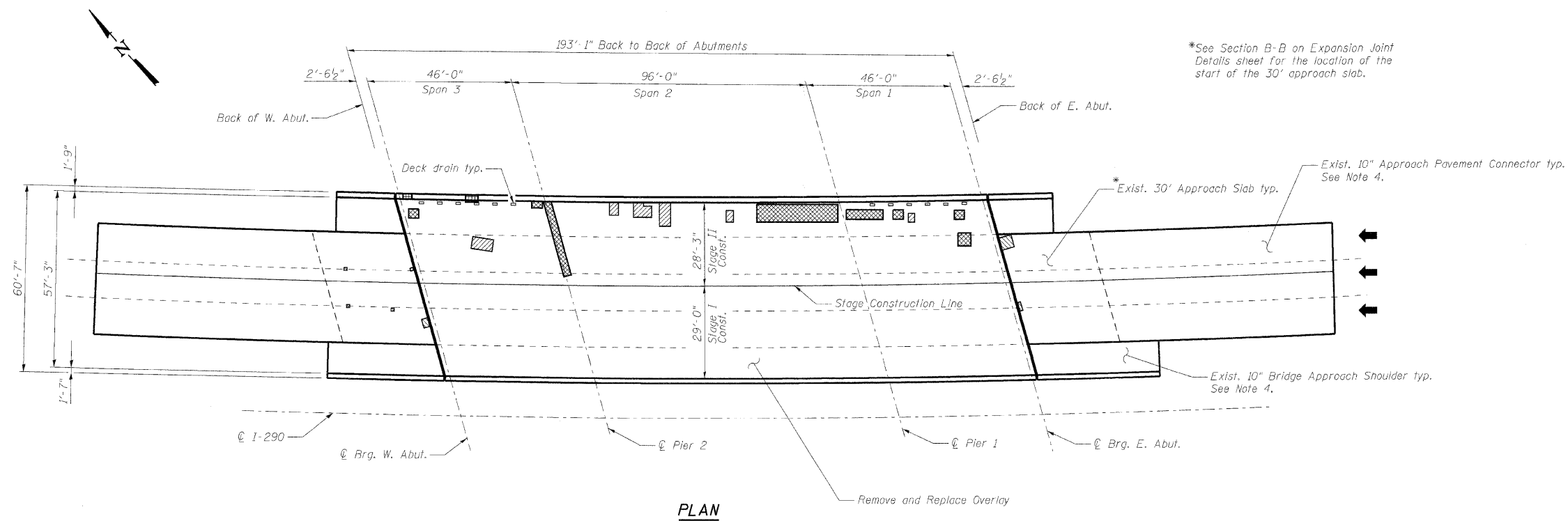
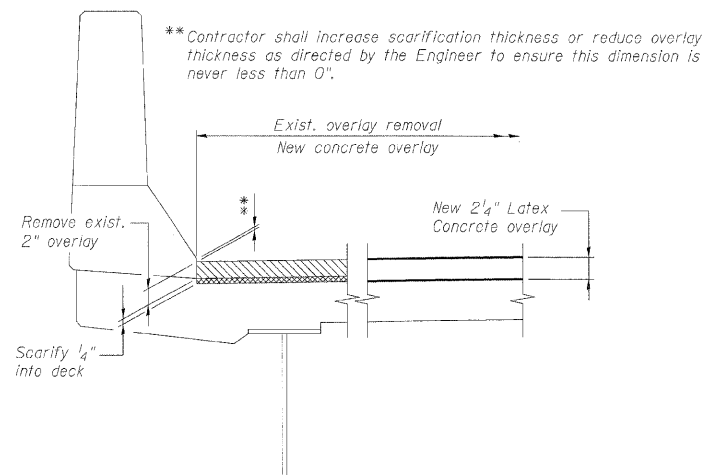


STATE OF ILLINOIS  
DEPARTMENT OF TRANSPORTATION



\*See Section B-B on Expansion Joint Details sheet for the location of the start of the 30' approach slab.

PLAN



SCARIFICATION & OVERLAY  
DETAIL AT PARAPET

BILL OF MATERIAL

SYMBOL	ITEM	UNIT	QUANTITY
	Deck Slab Repair (Partial)	Sq. Yd.	11.9 ▲
	Deck Slab Repair (Full Depth - Type I)	Sq. Yd.	5.0
	Deck Slab Repair (Full Depth - Type II)	Sq. Yd.	34.2
	Approach Slab Repair (Partial Depth)	Sq. Yd.	5.0
	Cleaning and Painting Exposed Rebar (Special)	Sq. Ft.	14
	Protective Shield	Sq. Yd.	689
	Bridge Deck Grooving	Sq. Yd.	1,174
	Protective Coat	Sq. Yd.	1,229
	Bridge Deck Latex Concrete Overlay, 2 1/4"	Sq. Yd.	1,198
	Bridge Deck Hydro-Scarification, 2 1/4"	Sq. Yd.	1,198

▲ For information only to assist the Contractor in bidding. See Special Provision for "Bridge Deck Latex Concrete Overlay".

Notes:

- Deck and approach slab repair areas are estimated based on an infrared thermographic deck survey (ITDS) report prepared by AECOM and the visual inspection conducted in June of 2009. Actual repair areas and locations shall be determined by the Engineer and shown on As-Built plans.
- Protective Shield required for full-depth repairs shall be installed according to Article 501.03 of the Standard Specifications. For limits of Protective Shield, see General Plan and Elevation.
- Deck drains (downspouts, floor drains, and scuppers) shall be cleaned with the bridge deck prior to application of the Concrete Sealer. Cost of cleaning the deck drains is included in Concrete Sealer.
- The Engineer shall determine the type and quantity of Class A patching and the quantity of Mixture for Cracks, Joints and Flangeways. Estimated quantities are included in the overall Summary of Quantities in Roadway Plans.
- Gaps caused by distress around floor drains shall be filled with epoxy as specified in the Special Provision "Epoxy Injection". Cost included with Bridge Deck Latex Concrete Overlay, 2 1/4".

BRIDGE DECK AND APPROACH  
SLAB REPAIRS  
STRUCTURE NO. 022-0100

DESIGNED	JJJ
CHECKED	AAY
DRAWN	RMG
CHECKED	AAY

benesch

alfred benesch & company  
Engineers • Surveyors • Planners  
205 North Michigan Avenue, Suite 2400  
Chicago, Illinois 60601  
312-665-0450 Job No. 10050

SHEET NO. 4	F.A.I. RTE.	SECTION	COUNTY	TOTAL SHEETS	SHEET NO.
	290	22(1, 1-1, 2&3)RS-7	DUPAGE	546	321
12 SHEETS	355	CONTRACT NO. 60G51			
FED. ROAD DIST. NO.		ILLINOIS	FED. AID PROJECT		