

STATE OF ILLINOIS
DEPARTMENT OF TRANSPORTATION

GENERAL NOTES

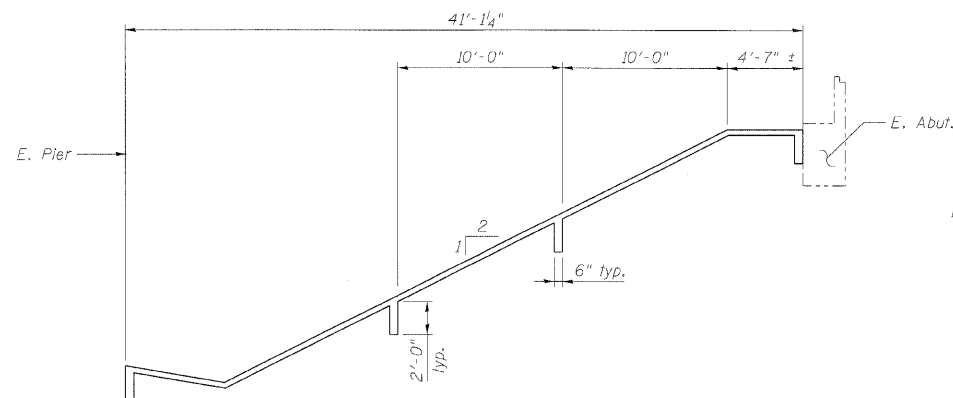
- Reinforcement bars shall conform to the requirements of ASTM A 706 Gr 60. See Special Provisions.
- Reinforcement bars designated (E) shall be epoxy coated.
- Prior to pouring the new concrete deck, all heavy or loose rust, loose mill scale, and other loose or potentially detrimental foreign material shall be removed from the surfaces in contact with concrete. Tightly adhered paint may remain unless otherwise noted. Removal shall be accomplished by methods that will not damage the steel and the cost will be included in the pay item covering removal of the existing concrete. As directed by the Engineer, existing construction accessories welded to the top flange of beams and girders shall be removed. The weld areas shall be ground flush and inspected for cracks using magnetic particle testing (MT) or dye penetrant testing (PT) by qualified personnel approved by the Engineer. Any cracks that cannot be removed by grinding 1/4 inch deep shall be identified and reported to the Bureau of Bridges and Structures for further disposition. The cost of removing welded accessories, grinding and inspecting weld areas and grinding cracks will be paid for according to Article 109.04 of the Standard Specifications.
- Plan dimensions and details relative to existing plans are subject to nominal construction variations. The Contractor shall field verify existing dimensions and details affecting new construction and make necessary approved adjustments prior to construction or ordering of materials. Such variations shall not be cause for additional compensation for a change in scope of the work, however, the Contractor will be paid for the quantity actually furnished at the unit price bid for the work.
- Concrete Sealer shall be applied to the parapets, approach slabs, abutment seats and abutment backwalls. All surfaces to be sealed shall be cleaned thoroughly prior to sealer application. Cost included with Concrete Sealer.
- The existing structural steel coating contains lead. The Contractor shall take appropriate precautions to deal with the presence of lead on this project.
- Stage construction shall be utilized to maintain traffic during construction.
- The Contractor shall exercise care during removal of existing joints to ensure that the slab, beams and diaphragms' integrity will not be detrimentally impacted. The Contractor shall repair any damage(s) to the slab, beams and diaphragms caused by his operation as directed by the Engineer at no additional cost to the Department.
- Protective Coat shall be applied to the new Latex Concrete Overlay.
- Joint openings shall be adjusted according to Article 520.04 of the Std. Specs. when the deck is poured at an ambient temperature other than 50°F.

INDEX OF SHEETS

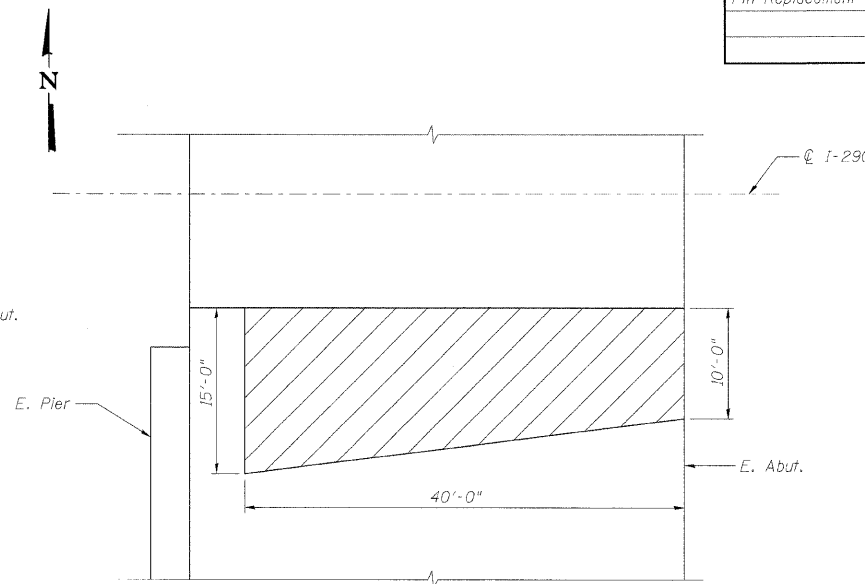
- General Plan and Elevation
- General Notes, Bill of Material and Index of Sheets
- Stage Construction Details
- Bridge Deck and Approach Slab Repairs
- Expansion Joint Repairs
- Expansion Joint Details
- Prefabricated Joint Strip Seal
- Pin Replacement Details
- Substructure Repairs
- Bar Splicer Assembly Details
- Existing Plan Information 1 of 2
- Existing Plan Information 2 of 2

TOTAL BILL OF MATERIAL

ITEM	UNIT	SUPER	SUB	TOTAL
Porous Granular Embankment	Cu. Yd.		38	38
Concrete Removal	Cu. Yd.	17.2		17.2
Slope Wall Removal	Sq. Yd.		56	56
Protective Shield	Sq. Yd.	689		689
Concrete Superstructure	Cu. Yd.	17.2		17.2
Bridge Deck Grooving	Sq. Yd.	1,174		1,174
Protective Coat	Sq. Yd.	1,229		1,229
Reinforcement Bars, Epoxy Coated	Pound	2,000		2,000
Bar Splicers	Each	22		22
Slope Wall 4 Inch	Sq. Yd.		56	56
Prefabricated Joint Strip Seal	Foot	123.0		123.0
Concrete Sealer	Sq. Ft.	3,851	954	4,805
Bridge Deck Latex Concrete Overlay, 2 1/4"	Sq. Yd.	1,198		1,198
Structural Repair of Concrete (Depth Greater than 5 Inches)	Sq. Ft.		40	40
Structural Repair of Concrete (Depth Equal to or Less than 5 Inches)	Sq. Ft.		209	209
Approach Slab Repair (Partial Depth)	Sq. Yd.	17.2		17.2
Bridge Deck Hydro-Scarification, 2 1/4"	Sq. Yd.	1,198		1,198
Deck Slab Repair (Full Depth, Type I)	Sq. Yd.	13.3		13.3
Deck Slab Repair (Full Depth, Type II)	Sq. Yd.	14.0		14.0
Temporary Shoring & Cribbing	Each		3	3
Temporary Support System	Each	16		16
Cleaning and Painting Exposed Rebar (Special)	Sq. Ft.	22		22
Clean and Reseal Relief Joint	Foot	72.0		72.0
Reattach Guard Rail to Structure	Each	1		1
Pin Replacement	Each	16		16



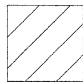
SECTION THRU SLOPEWALL



SLOPE WALL REPAIR

Slope wall shall be reinforced with welded wire fabric, 6 in. x 6 in. - W4.0 x W4.0, weighing 58 lbs. per 100 sq. ft.
Existing and new welded wire fabrics should overlap at least 6".

LEGEND

 Remove and Replace Slopewall. 2' Deep Void under Slopewall to be filled with Porous Granular Embankment.

DESIGNED -	J.J.J
CHECKED -	A.A.Y
DRAWN -	R.M.G
CHECKED -	A.A.Y

benesch

alfred benesch & company
Engineers • Surveyors • Planners
205 North Michigan Avenue, Suite 2400
Chicago, Illinois 60601
312-665-0460 Job No. 10050

**GENERAL NOTES, BILL OF MATERIAL
AND INDEX OF SHEETS
STRUCTURE NO. 022-0105**

SHEET NO. 2	F.A.I. RTE.	SECTION	COUNTY	TOTAL SHEETS	SHEET NO.
	290	22(1, 1-1, 2&3)RS-7	DUPAGE	546	331
12 SHEETS	355	CONTRACT NO. 60G51			
FED. ROAD DIST. NO.		ILLINOIS	FED. AID PROJECT		