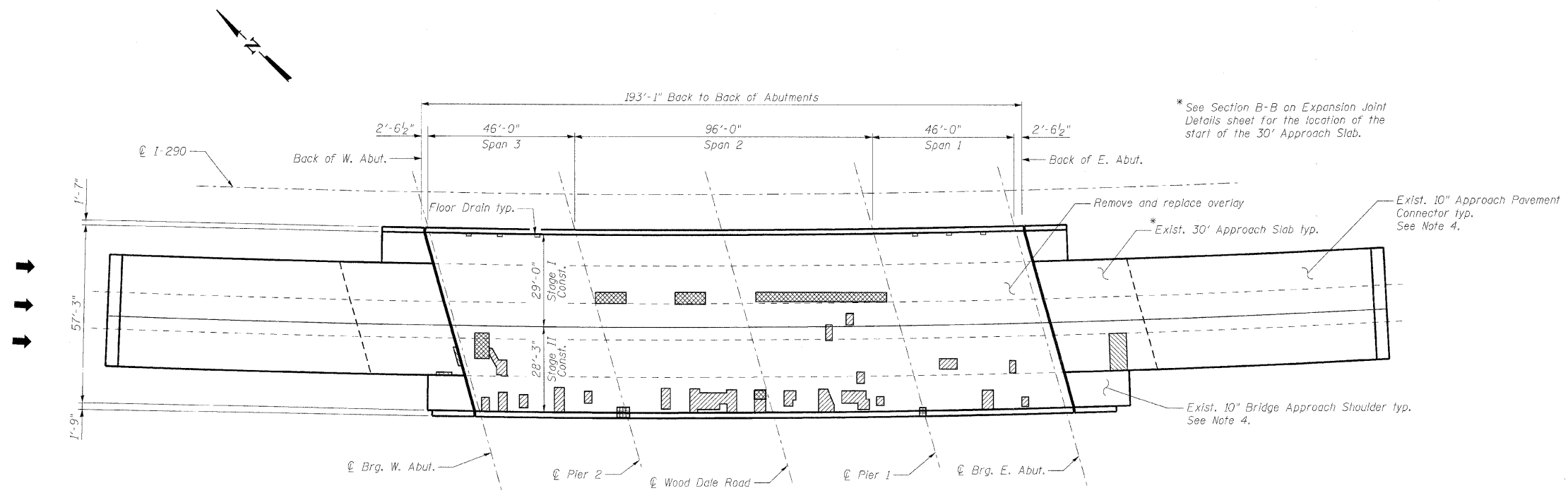
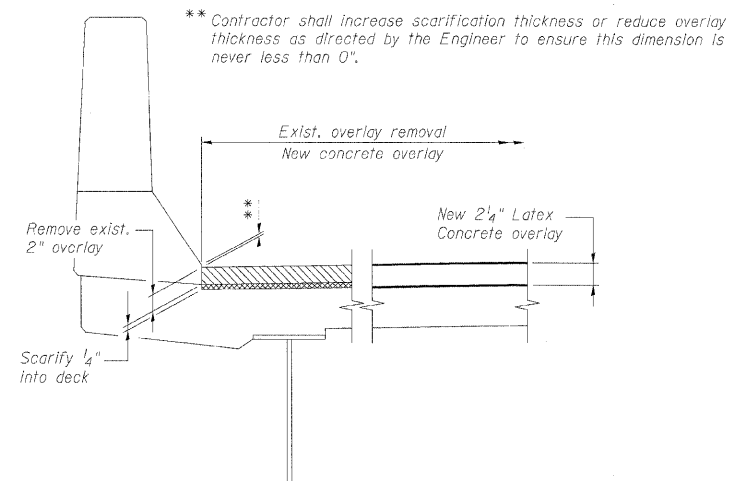


STATE OF ILLINOIS
DEPARTMENT OF TRANSPORTATION



PLAN



SCARIFICATION & OVERLAY
DETAIL AT PARAPET

BILL OF MATERIAL

| SYMBOL | ITEM | UNIT | QUANTITY |
|--------|---|---------|----------|
| | Deck Slab Repair (Partial) | Sq. Yd. | 44.9 ▲ |
| | Deck Slab Repair (Full Depth - Type I) | Sq. Yd. | 13.3 |
| | Deck Slab Repair (Full Depth - Type II) | Sq. Yd. | 14.0 |
| | Cleaning & Painting Exposed Rebar (Special) | Sq. Ft. | 22 |
| | Approach Slab Repair (Partial Depth) | Sq. Yd. | 17.2 |
| | Protective Shield | Sq. Yd. | 689 |
| | Bridge Deck Grooving | Sq. Yd. | 1,174 |
| | Protective Coat | Sq. Yd. | 1,229 |
| | Bridge Deck Latex Concrete Overlay, 2 1/4" | Sq. Yd. | 1,198 |
| | Bridge Deck Hydro-Scarification, 2 1/4" | Sq. Yd. | 1,198 |

▲ For information only to assist the Contractor in bidding. See Special Provision for "Bridge Deck Latex Concrete Overlay".

Notes:

- Deck and approach slab repair areas are estimated based on an infrared thermographic deck survey (ITDS) report prepared by AECOM and the visual inspection conducted in June of 2009. Actual repair areas and locations shall be determined by the Engineer and shown on As-Built plans.
- Protective Shield, required for deck slab and/or parapet repairs, shall be installed according to Article 501.03 of the Standard Specifications. For limits of Protective Shield, see General Plan and Elevation.
- Deck drains (downspouts, floor drains, and scuppers) shall be cleaned prior to placement of the Latex Concrete Overlay. Cost of cleaning the deck drains is included in Bridge Deck Hydro-Scarification, 2 1/4".
- The Engineer shall determine the type and quantity of Class A patching and the quantity of Mixture for Cracks, Joints and Flangeways. Estimated quantities are included in the overall Summary of Quantities in Roadway Plans.
- Gaps caused by distress around floor drains shall be filled with epoxy as specified in the Special Provision "Epoxy Injection". Cost included with Bridge Deck Latex Concrete Overlay, 2 1/4".

BRIDGE DECK AND APPROACH
SLAB REPAIR
STRUCTURE NO. 022-0105

| | |
|----------|-----|
| DESIGNED | TJJ |
| CHECKED | AAV |
| DRAWN | RMG |
| CHECKED | AAV |

benesch

alfred benesch & company
Engineers • Surveyors • Planners
205 North Michigan Avenue, Suite 2400
Chicago, Illinois 60601
312-665-0450 Job No. 10050

| | | | | | |
|--------------------------|---------------------------|--------------------------------|------------------|---|------------------|
| SHEET NO. 4 12 SHEETS | F.A.I. RTE. 290 355 | SECTION 22(1, 1-1, 2&3)RS-7 | COUNTY DUPAGE | TOTAL SHEETS 546 | SHEET NO. 333 |
| | CONTRACT NO. 60G51 | | | FED. ROAD DIST. NO. ILLINOIS FED. AID PROJECT | |