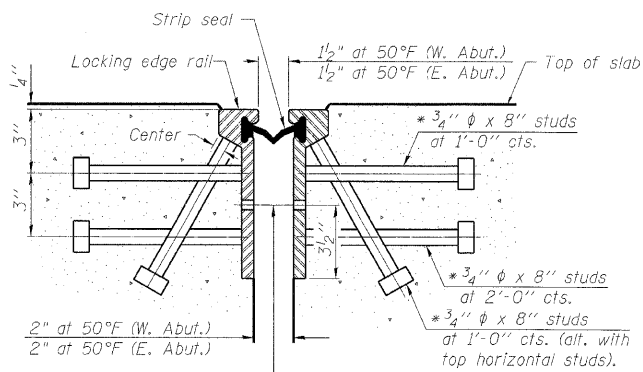


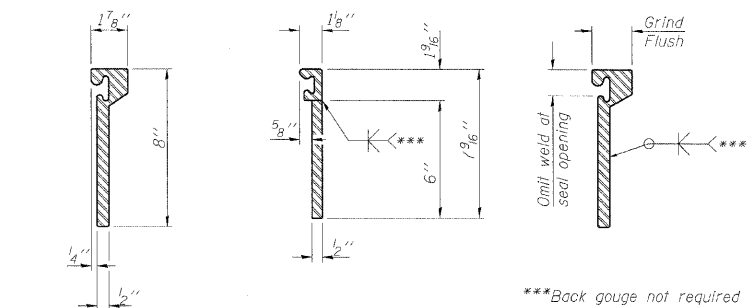
STATE OF ILLINOIS
DEPARTMENT OF TRANSPORTATION

* Granular or solid flux filled headed studs conforming to Article 1006.32 of the Std. Specs., automatically end welded.



7/16" ϕ holes at 4'-0" cts. for 3/8" ϕ bolts. All bolts shall be burned, sawed, or chipped off flush with the plates after forms are removed, typ.

SECTION THRU
ROLLED RAIL JOINT



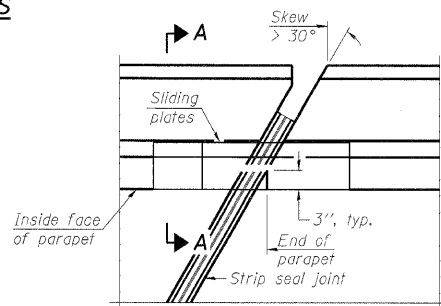
ROLLED
EXTRUDED RAIL WELDED RAIL

***Back gouge not required if complete joint penetration is verified by mock-up.

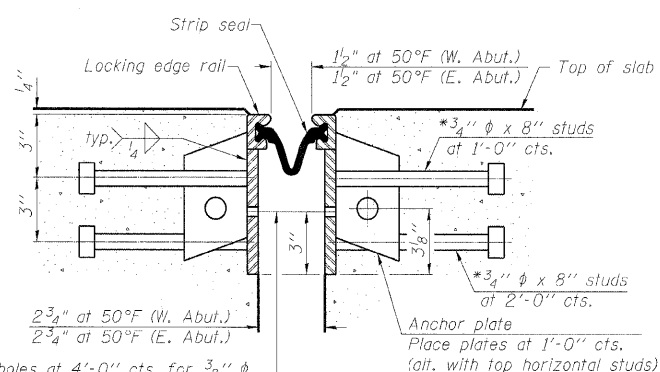
LOCKING EDGE
RAIL SPLICE

The inside of the locking edge rail groove shall be free of weld residue.

LOCKING EDGE RAILS

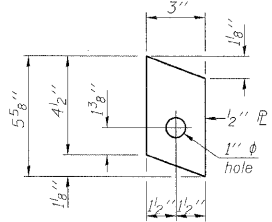


PLAN

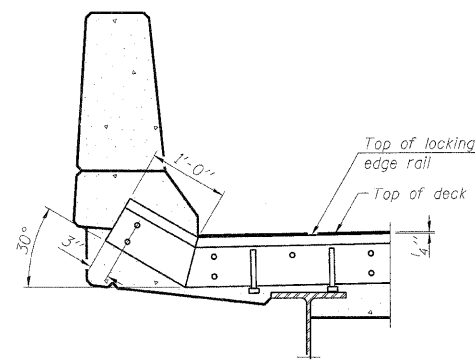


7/16" ϕ holes at 4'-0" cts. for 3/8" ϕ bolts. All bolts shall be burned, sawed, or chipped off flush with the plates after forms are removed, typ.

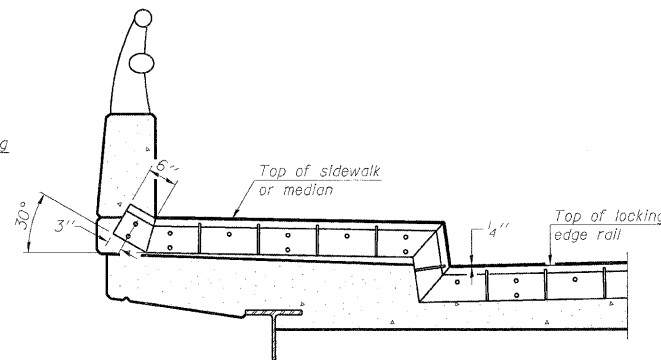
SECTION THRU
WELDED RAIL JOINT



ANCHOR PLATE
(for welded rail)



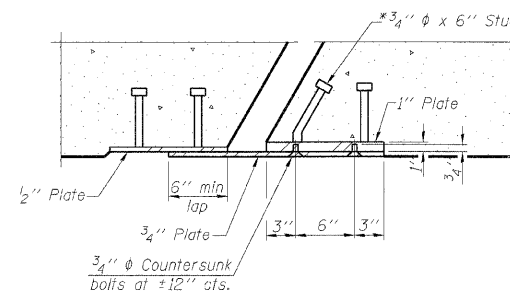
AT PARAPET



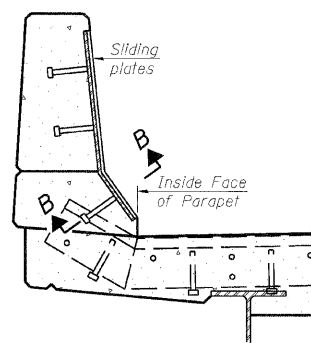
AT SIDEWALK OR MEDIAN

Shorter plates with a single row of studs at 12" cts. may be necessary on medians which are shallower than 9". See manufacturer's recommendation.

TYPICAL END TREATMENTS



SECTION B-B



SECTION A-A

POINT BLOCK DETAILS
(for skews > 30°)

BILL OF MATERIAL

| Item | Unit | Total |
|----------------------------|------|-------|
| Preformed Joint Strip Seal | Foot | 123.0 |

| | |
|------------|-----|
| DESIGNED - | TJJ |
| CHECKED - | AAV |
| DRAWN - | RMG |
| CHECKED - | AAV |

EJ-SSJ

10-1-08

benesch

alfred benesch & company
Engineers • Surveyors • Planners
205 North Michigan Avenue, Suite 2400
Chicago, Illinois 60601
312-566-0450 Job No. 10050

| | | | | | |
|--------------------------|------------------------|--------------------------------|------------------|-----------------------------------------------------|------------------|
| SHEET NO. 7 12 SHEETS | F.A.I. RTE. 290-355 | SECTION 22(1, 1-1, 2&3)RS-7 | COUNTY DUPAGE | TOTAL SHEETS 546 | SHEET NO. 336 |
| | CONTRACT NO. 60G51 | | | FED. ROAD DIST. NO. ILLINOIS FED. AID PROJECT | |

PREFORMED JOINT STRIP SEAL
STRUCTURE NO. 022-0105