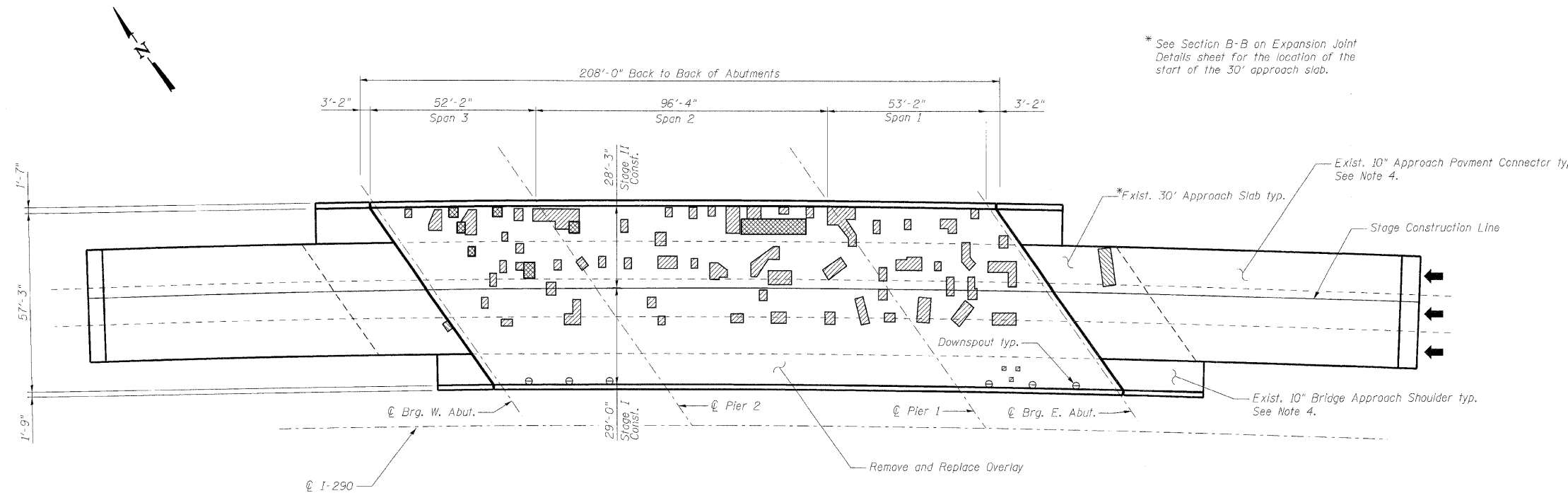


STATE OF ILLINOIS
DEPARTMENT OF TRANSPORTATION

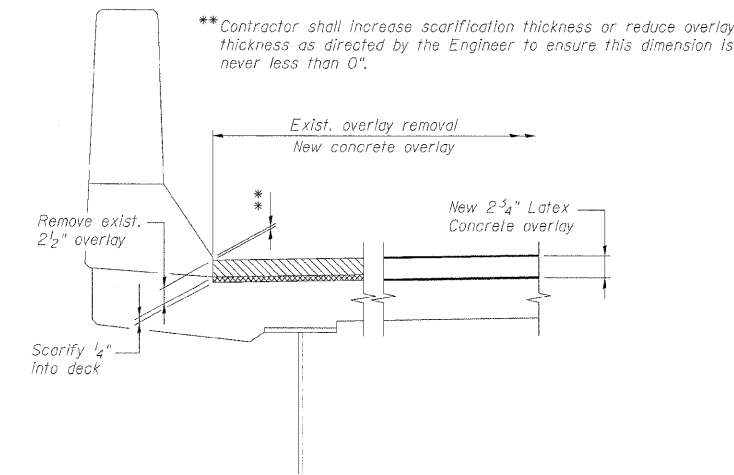
BILL OF MATERIAL

SYMBOL	ITEM	UNIT	QUANTITY
	Deck Slab Repair (Partial)	Sq. Yd.	111.9 ▲
	Deck Slab Repair (Full Depth - Type I)	Sq. Yd.	5.0
	Deck Slab Repair (Full Depth - Type II)	Sq. Yd.	18.4
	Approach Slab Repair (Partial Depth)	Sq. Yd.	5.0
	Protective Shield	Sq. Yd.	691
	Bridge Deck Grooving	Sq. Yd.	1,265
	Protective Coat	Sq. Yd.	1,324
	Bridge Deck Latex Concrete Overlay, 2 3/4"	Sq. Yd.	1,297
	Bridge Deck Hydro-Scarification, 2 3/4"	Sq. Yd.	1,297

▲ For information only to assist the Contractor in bidding. See Special Provision for "Bridge Deck Latex Concrete Overlay".



PLAN



**SCARIFICATION & OVERLAY
DETAIL AT PARAPET**

Notes:

- Deck and approach slab repair areas are estimated based on an infrared thermographic deck survey (ITDS) report prepared by AECOM and the visual inspection conducted in June of 2009. Actual repair areas and locations shall be determined by the Engineer and shown on As-Built plans.
- Protective Shield required for full-depth repairs shall be installed according to Article 501.03 of the Standard Specifications. For limits of Protective Shield, see General Plan and Elevation.
- Deck drains (downspouts, floor drains, and scuppers) shall be cleaned with the bridge deck prior to application of the Concrete Sealer. Cost of cleaning the deck drains is included in Concrete Sealer.
- The Engineer shall determine the type and quantity of Class A patching and the quantity of Mixture for Cracks, Joints and Flangeways. Estimated quantities are included in the overall Summary of Quantities in Roadway Plans.
- Gaps caused by distress around floor drains shall be filled with epoxy as specified in the Special Provision "Epoxy Injection". Cost included with Bridge Deck Latex Concrete Overlay, 2 3/4".

**BRIDGE DECK AND APPROACH
SLAB REPAIRS
STRUCTURE NO. 022-0095**

DESIGNED -	TJJ
CHECKED -	AAV
DRAWN -	RMG
CHECKED -	AAV

benesch
alfred benesch & company
Engineers • Surveyors • Planners
205 North Michigan Avenue, Suite 2400
Chicago, Illinois 60601
312-565-0450 Job No. 10050

SHEET NO. 4 8 SHEETS	F.A.I. RTE. 290 355	SECTION 22(1, 1-1, 2&3)RS-7	COUNTY DUPAGE	TOTAL SHEETS 546	SHEET NO. 345
	CONTRACT NO. 60G51			ILLINOIS FED. AID PROJECT	

x:\10000s\10050\engineering\documents\contract\1\SN_022_0095_0104_Addison_Rd\0095-60G51-004-deckrepair.dgn 18:06:27 11/12/2009