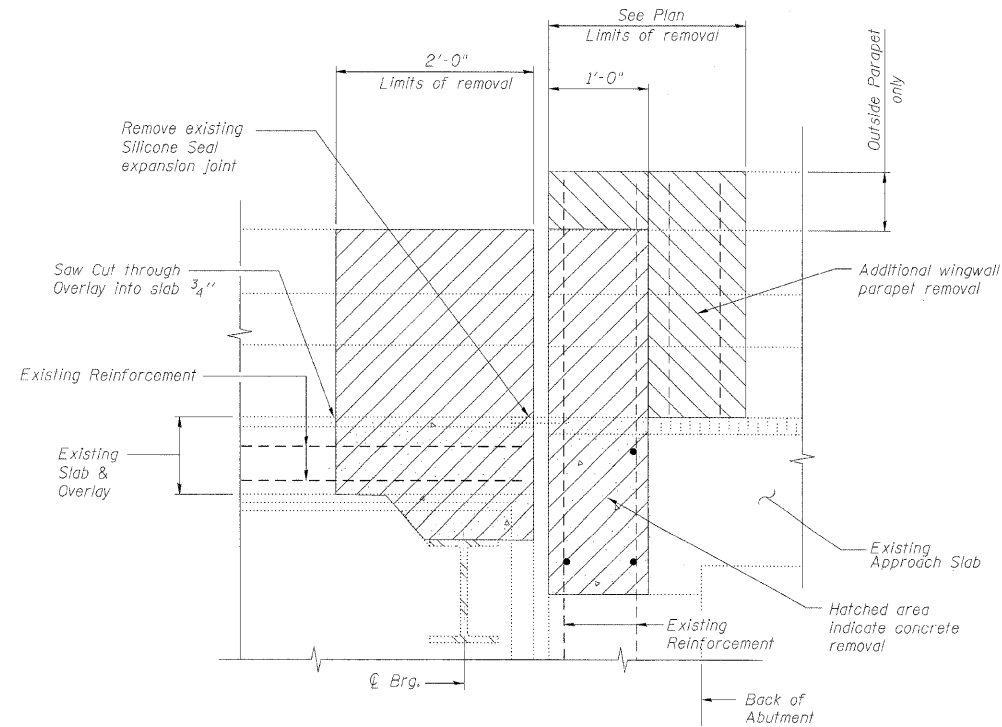
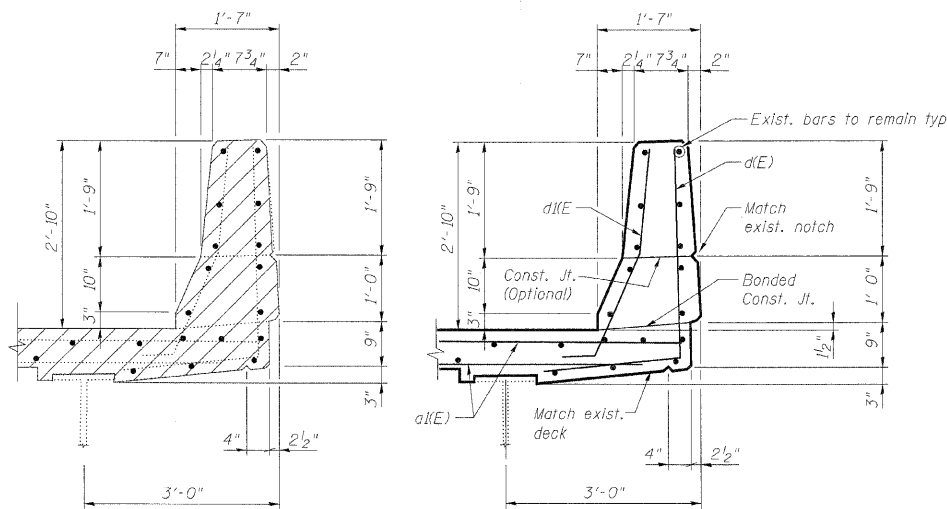


STATE OF ILLINOIS
DEPARTMENT OF TRANSPORTATION



SECTION A-A

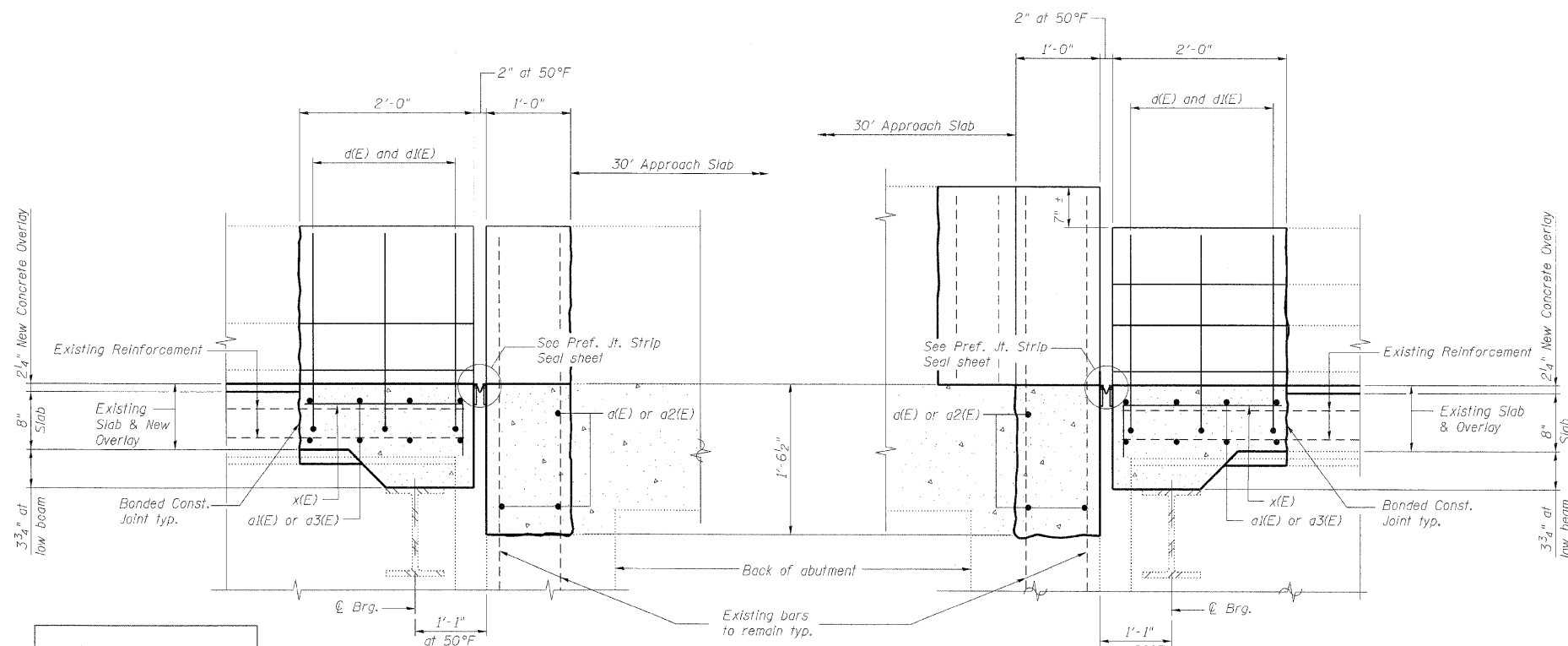


EXISTING INSIDE
PARAPET SECTION

PROPOSED INSIDE
PARAPET SECTION

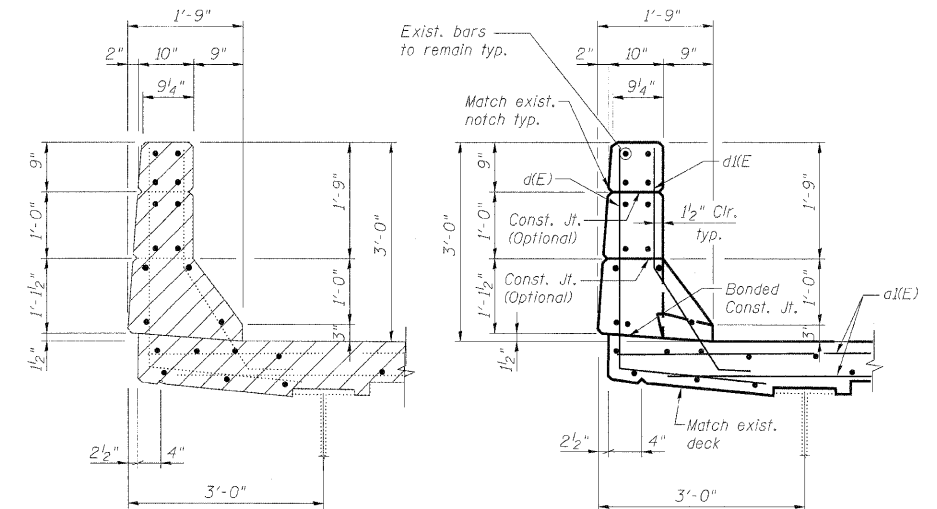
Notes:

- Existing reinforcement bars extending into the concrete removal area shall be cleaned, straightened and incorporated into the new construction. Any reinforcement bars that are damaged during concrete removal shall be replaced with an approved bar splicer or anchorage system. Cost included with Concrete Removal.
- Existing reinforcement bars in the concrete removal area parallel to the expansion joints shall be removed.
- Removal and disposal of the existing expansion joints will not be paid for separately, but shall be included with the cost of Concrete Removal.
- If existing name plate falls within the limits of Concrete Removal, it shall be removed and reinstalled in its original location in accordance with IDOT Std. 515001. Cost included with Concrete Superstructure.
- If existing guardrail and/or end shoe fall within the limits of Concrete Removal, they shall be removed and reinstalled in their original locations in accordance with District 1 Std. BM-21. Cost included with Concrete Superstructure.
- The Contractor shall exercise extreme care with the existing conduits in sections of the parapet to be removed and to protect and support the conduit. The Contractor will be required to repair any damage done to the conduit to the satisfaction of the Engineer. No splicing will be allowed to any cable damage resulting from this work, instead the Contractor will be required to repair the entire span of any damaged cable at no additional cost to the Department.
- Work this sheet with Expansion Joint Repairs sheet.



SECTION B-B

SECTION C-C



EXISTING OUTSIDE
PARAPET SECTION

PROPOSED OUTSIDE
PARAPET SECTION

EXPANSION JOINT DETAILS
STRUCTURE NO. 022-0095

DESIGNED -	TJJ
CHECKED -	AAV
DRAWN -	VH
CHECKED -	AAV

benesch

alfred benesch & company
Engineers • Surveyors • Planners
205 North Michigan Avenue, Suite 2400
Chicago, Illinois 60601
312-665-0450 Job No. 10050

SHEET NO. 6 8 SHEETS	F.A.I. RTE. 290 355	SECTION 22(1, 1-1, 2&3)RS-7	COUNTY DUPAGE	TOTAL SHEETS 546	SHEET NO. 347
	CONTRACT NO. 60G51				
FED. ROAD DIST. NO.		ILLINOIS		FED. AID PROJECT	