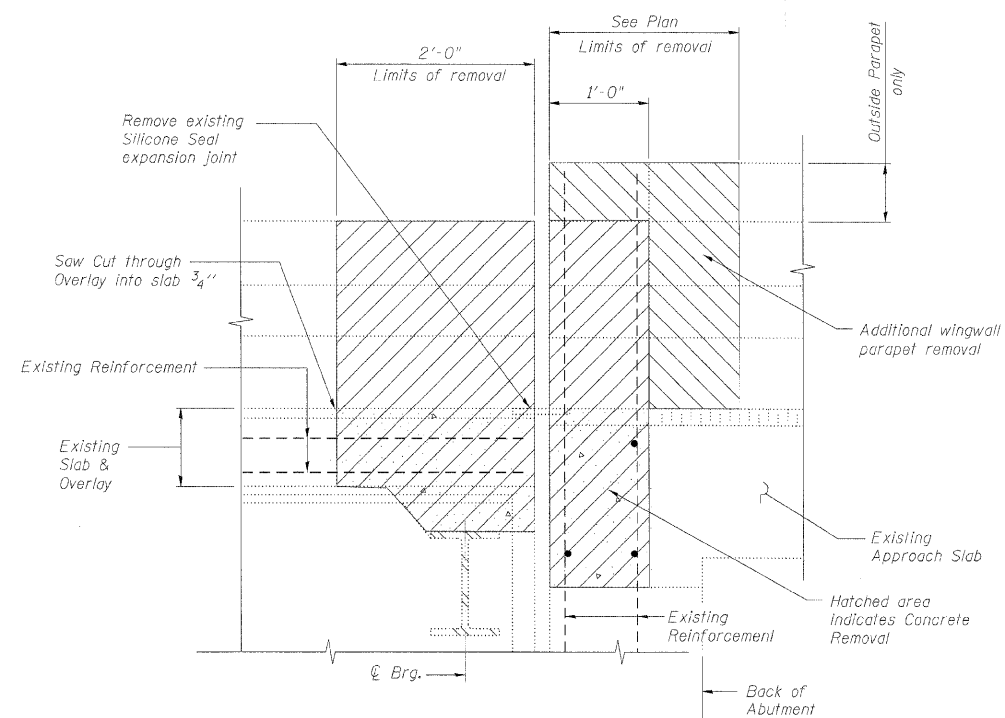


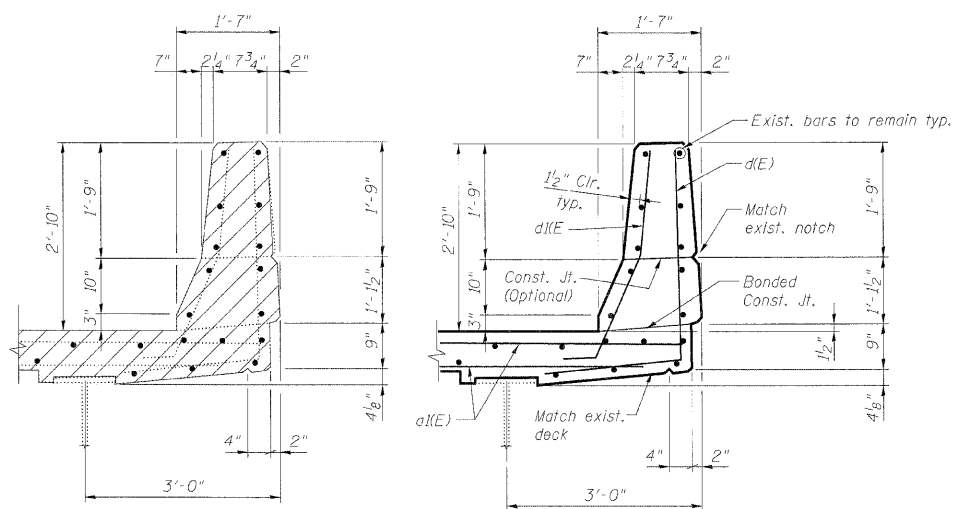
STATE OF ILLINOIS
DEPARTMENT OF TRANSPORTATION

Notes:

- Existing reinforcement bars extending into the concrete removal area shall be cleaned, straightened and incorporated into the new construction. Any reinforcement bars that are damaged during concrete removal shall be replaced with an approved bar splicer or anchorage system. Cost included with Concrete Removal.
- Existing reinforcement bars in the concrete removal area parallel to the expansion joints shall be removed.
- Removal and disposal of the existing expansion joints will not be paid for separately, but shall be included with the cost of Concrete Removal.
- If existing name plate falls within the limits of Concrete Removal, it shall be removed and reinstalled in its original location in accordance with IDOT Std. 515001. Cost included with Concrete Superstructure.
- If existing guardrail and/or end shoe fall within the limits of Concrete Removal, they shall be removed and reinstalled in their original locations in accordance with District 1 Std. BM-21. Cost included with Concrete Superstructure.
- Work this sheet with Expansion Joint Repairs sheet.

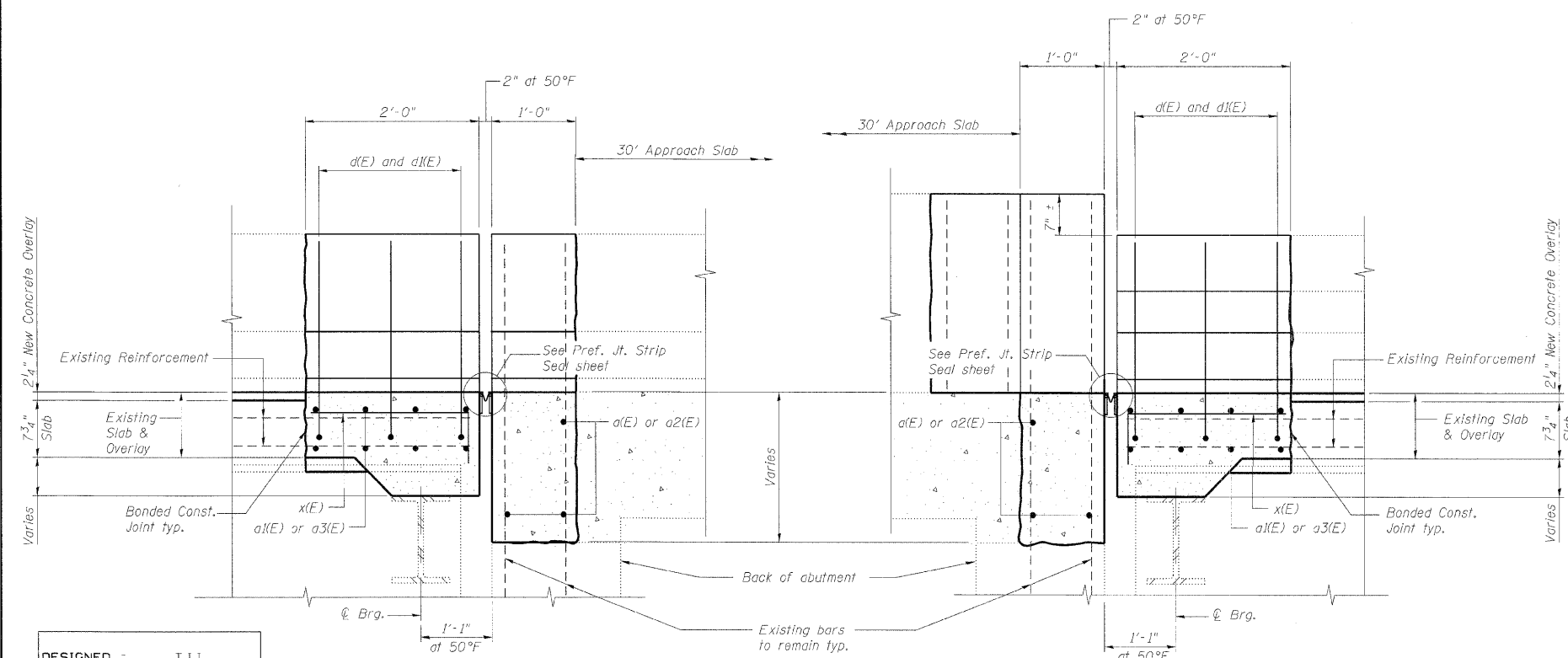


SECTION A-A



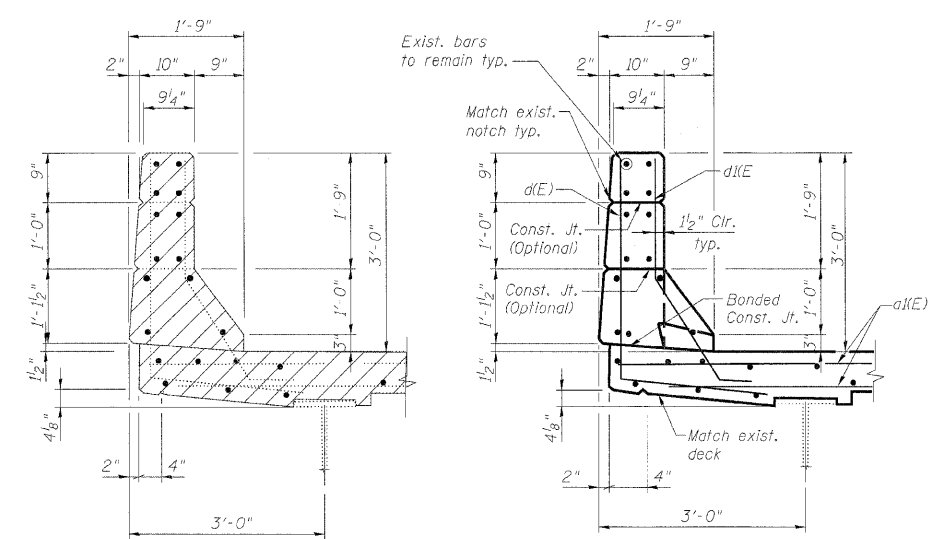
**EXISTING INSIDE
PARAPET SECTION**

**PROPOSED INSIDE
PARAPET SECTION**



SECTION B-B

SECTION C-C



**EXISTING OUTSIDE
PARAPET SECTION**

**PROPOSED OUTSIDE
PARAPET SECTION**

**EXPANSION JOINT DETAILS
STRUCTURE NO. 022-0104**

DESIGNED -	TJJ
CHECKED -	AAV
DRAWN -	VH
CHECKED -	AAV

benesch
alfred benesch & company
Engineers • Surveyors • Planners
205 North Michigan Avenue, Suite 2400
Chicago, Illinois 60601
312-565-0450 Job No. 10050

SHEET NO. 6 8 SHEETS	F.A.I. RTE. 290	SECTION 22(1, 1-1, 2&3)RS-7	COUNTY DUPAGE	TOTAL SHEETS 546	SHEET NO. 355
	CONTRACT NO. 60G51				
FED. ROAD DIST. NO.		ILLINOIS	FED. AID PROJECT		

x:\100000\100050\engineering\documents\contract\1\SN_022_0095_0104_Addison_Rd\0104-60G51-006_ExpJt-details.dgn 18:07:32 11/12/2009