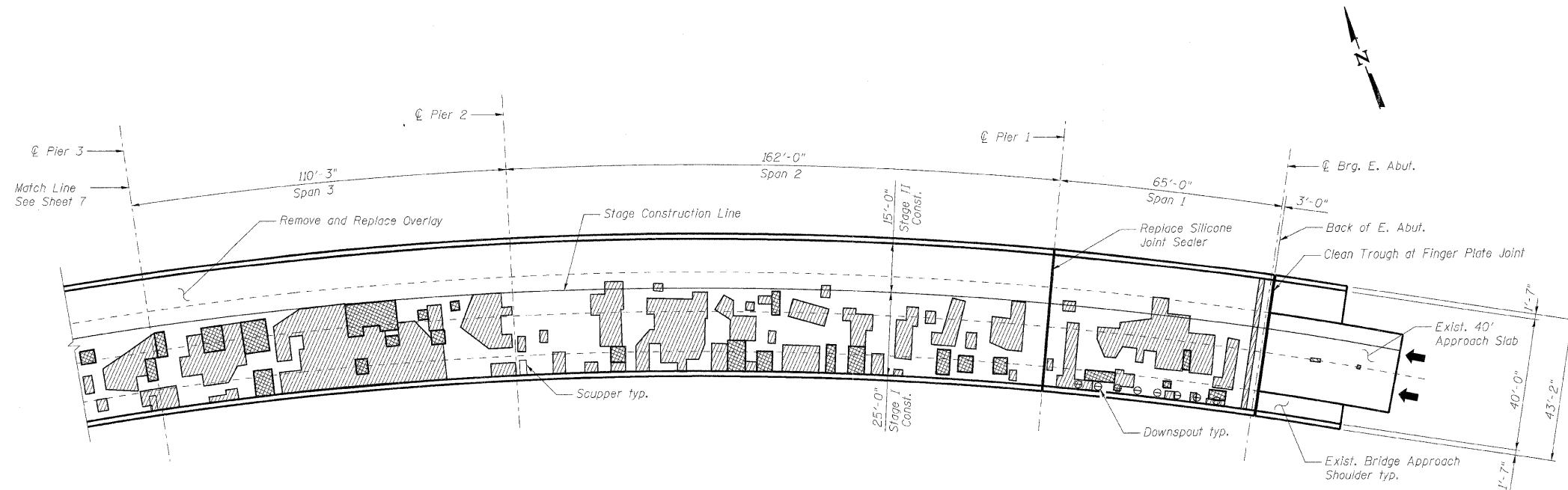
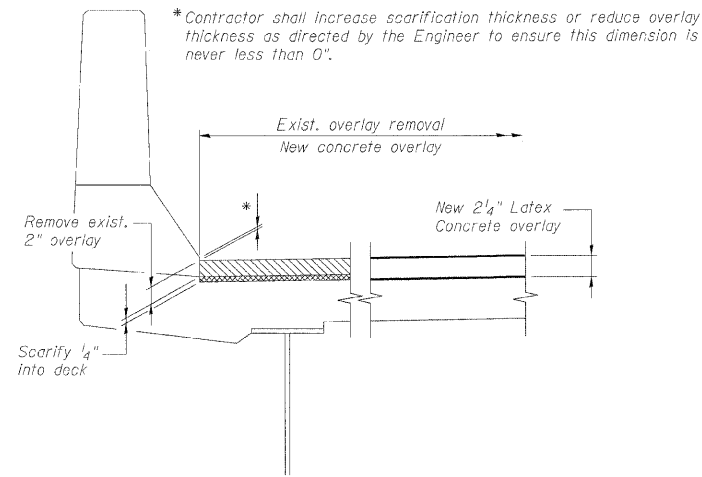
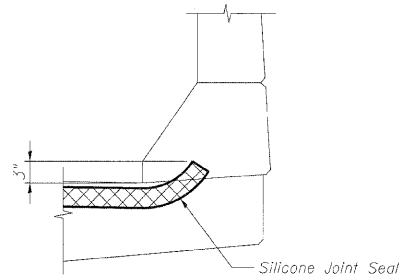
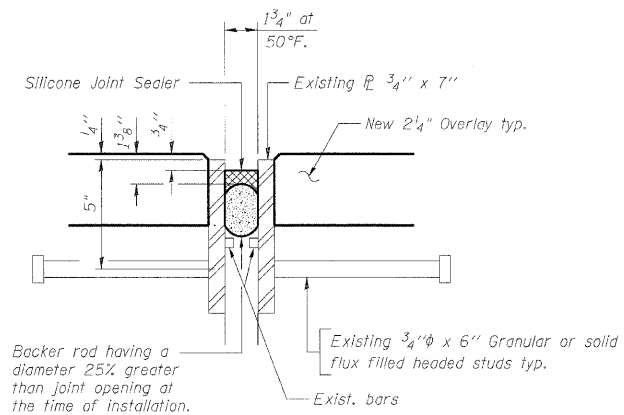


STATE OF ILLINOIS
DEPARTMENT OF TRANSPORTATION



PLAN



Notes:

1. For Bill of Material, see Sheet 8.
2. Deck drains (downspouts, floor drains, and scuppers) shall be cleaned with the bridge deck prior to application of the Concrete Sealer. Cost of cleaning the deck drains is included in Concrete Sealer.
3. For additional notes, see sheet 8.

**BRIDGE DECK AND APPROACH
SLAB REPAIRS 1 OF 3
STRUCTURE NO. 022-0094**

DESIGNED -	TJJ
CHECKED -	AAY
DRAWN -	RMG
CHECKED -	AAY

benesch

alfred benesch & company
Engineers • Surveyors • Planners
205 North Michigan Avenue, Suite 2400
Chicago, Illinois 60601
312-565-0450 Job No. 10050

SHEET NO. 6	F.A.I. RTE.	SECTION	COUNTY	TOTAL SHEETS	SHEET NO.
	290	22(1, 1-1, 2&3)RS-7	DUPAGE	546	363
8 SHEETS	CONTRACT NO. 60G51				
FED. ROAD DIST. NO.		ILLINOIS		FED. AID PROJECT	

x:\10000s\10050\engineering\documents\contract\1\SNL022-0094-1290.EB-1355\0094-60G51-006-deckrepair.dgn

18:08:01

11/12/2009