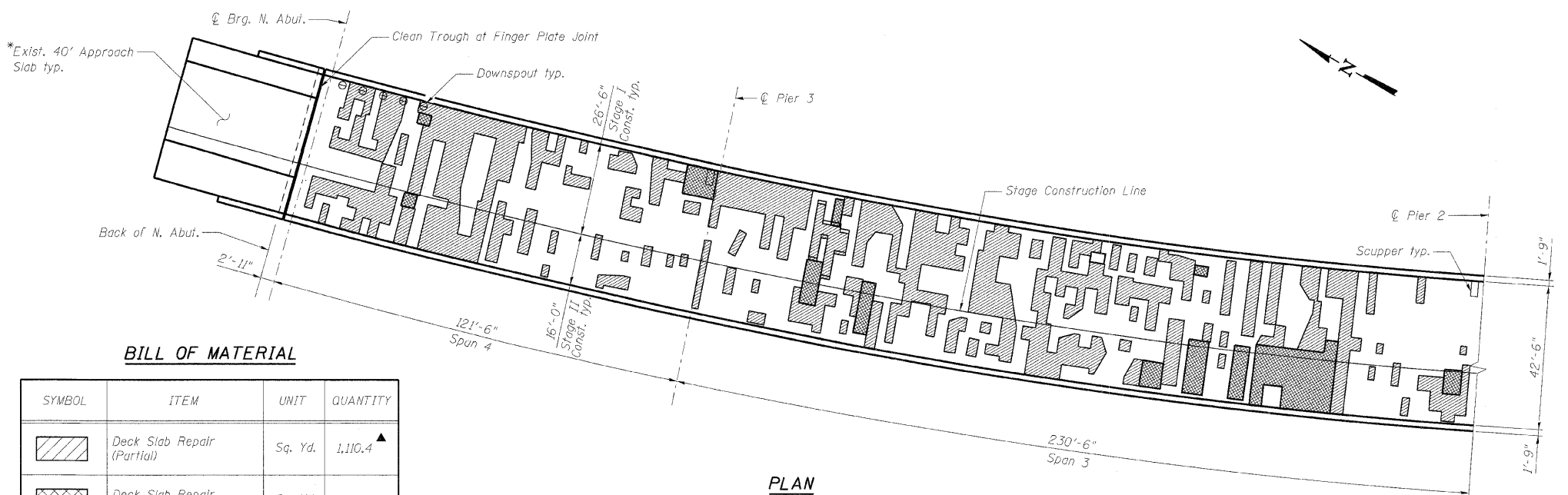


STATE OF ILLINOIS  
DEPARTMENT OF TRANSPORTATION

\*See Section B-B on Expansion Joint Details sheet for the location of the start of the 40' approach slab.

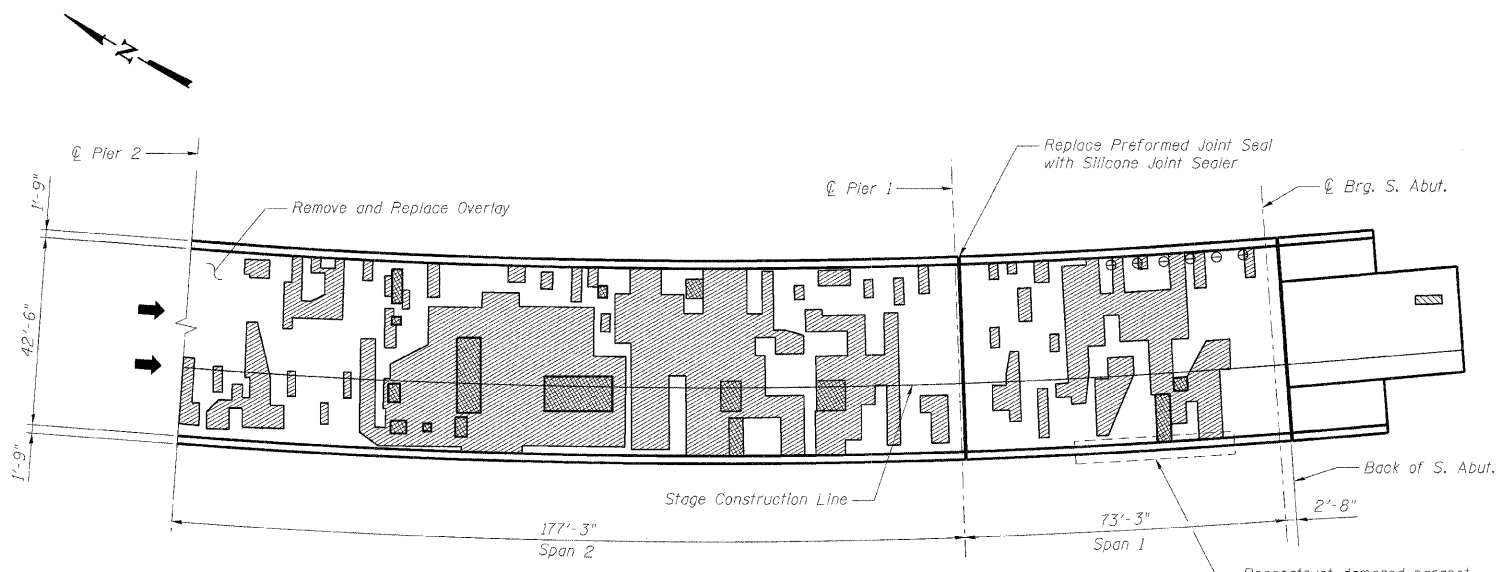


PLAN

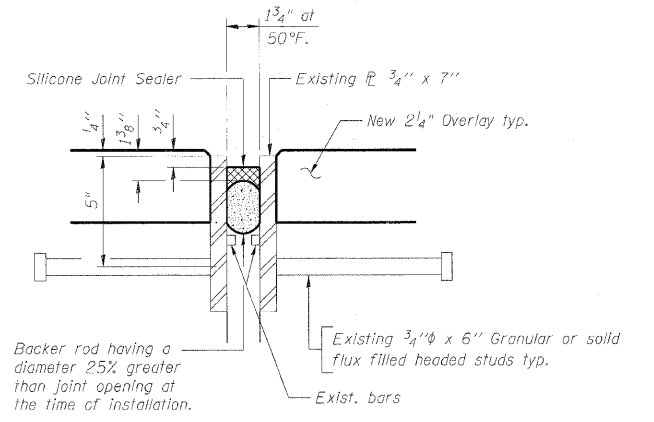
**BILL OF MATERIAL**

SYMBOL	ITEM	UNIT	QUANTITY
	Deck Slab Repair (Partial)	Sq. Yd.	1,110.4 ▲
	Deck Slab Repair (Full Depth, Type I)	Sq. Yd.	5.0
	Deck Slab Repair (Full Depth, Type II)	Sq. Yd.	152.1
	Approach Slab Repair (Partial Depth)	Sq. Yd.	5.0
	Protective Shield	Sq. Yd.	2,265
	Bridge Deck Grooving	Sq. Yd.	2,718
	Protective Coat	Sq. Yd.	2,872
	Cleaning and Painting Exposed Rebar (Special)	Sq. Ft.	100
	Silicone Joint Sealer	Foot	44.5
	Bridge Deck Latex Concrete Overlay, 2 1/4"	Sq. Yd.	2,839
	Bridge Deck Hydro-Scarification, 2 1/4"	Sq. Yd.	2,839
	Clean Trough	Each	1

▲ For information only to assist the Contractor in bidding. See Special Provisions for "Bridge Deck Latex Concrete Overlay".

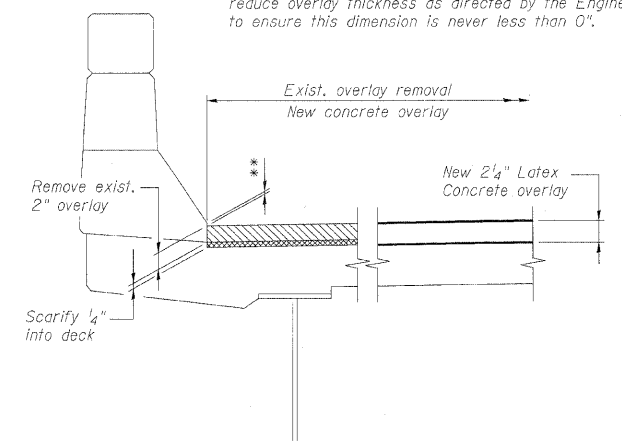


PLAN



**SILICONE JOINT SEALER DETAIL**  
(At Pier 1)

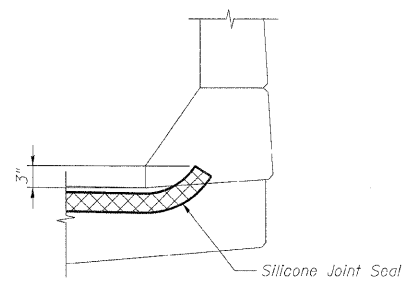
\*\* Contractor shall increase scarification thickness or reduce overlay thickness as directed by the Engineer to ensure this dimension is never less than 0".



**SCARIFICATION & OVERLAY DETAIL AT PARAPET**

**Notes:**

- Deck and approach slab repair areas are estimated based on an infrared thermographic deck survey (ITDS) report prepared by AFCEM and visual inspection conducted in June of 2009. Actual repair areas and locations shall be determined by the Engineer and shown on As-Built plans.
- Protective Shield required for full-depth repairs shall be installed according to Article 501.03 of the Standard Specifications. For limits of Protective Shield, see General Plan and Elevation.
- Deck drains (downspouts, floor drains and scuppers) shall be cleaned with the bridge deck prior to application of the Concrete Sealer. Cost of cleaning the deck drains is included in Concrete Sealer.



**SILICONE JOINT SEAL TREATMENT AT PARAPET**

DESIGNED -	TJJ
CHECKED -	AAV
DRAWN -	RMG
CHECKED -	AAV

**benesch**

alfred benesch & company  
Engineers - Surveyors - Planners  
205 North Michigan Avenue, Suite 2400  
Chicago, Illinois 60601  
312-565-0450 Job No. 10050

**BRIDGE DECK AND APPROACH SLAB REPAIRS**  
**STRUCTURE NO. 022-0092**

SHEET NO. 5 10 SHEETS	F.A.I. RTE. 290 355	SECTION 22(1, 1-1, 2&3)RS-7	COUNTY DUPAGE	TOTAL SHEETS 546	SHEET NO. 370
	CONTRACT NO. 60G51			FED. ROAD DIST. NO. ILLINOIS FED. AID PROJECT	

x:\100000s\100050\engineer\ing\_documents\contract\1\SN.022-0092-1355\0092-60G51-005-deckrepair.dgn 18:08:26 11\12\2009