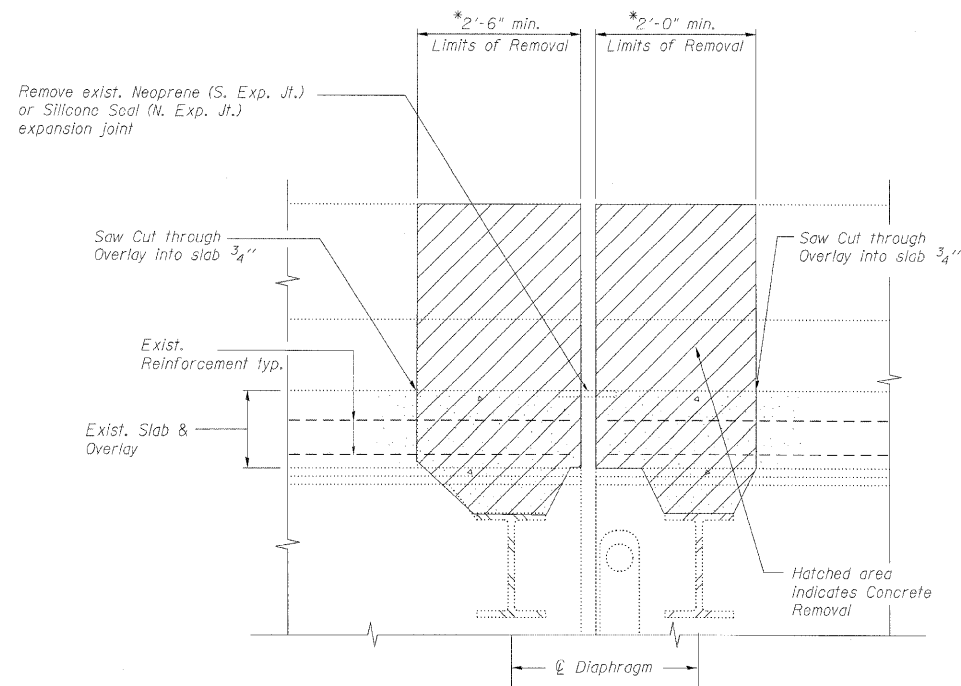
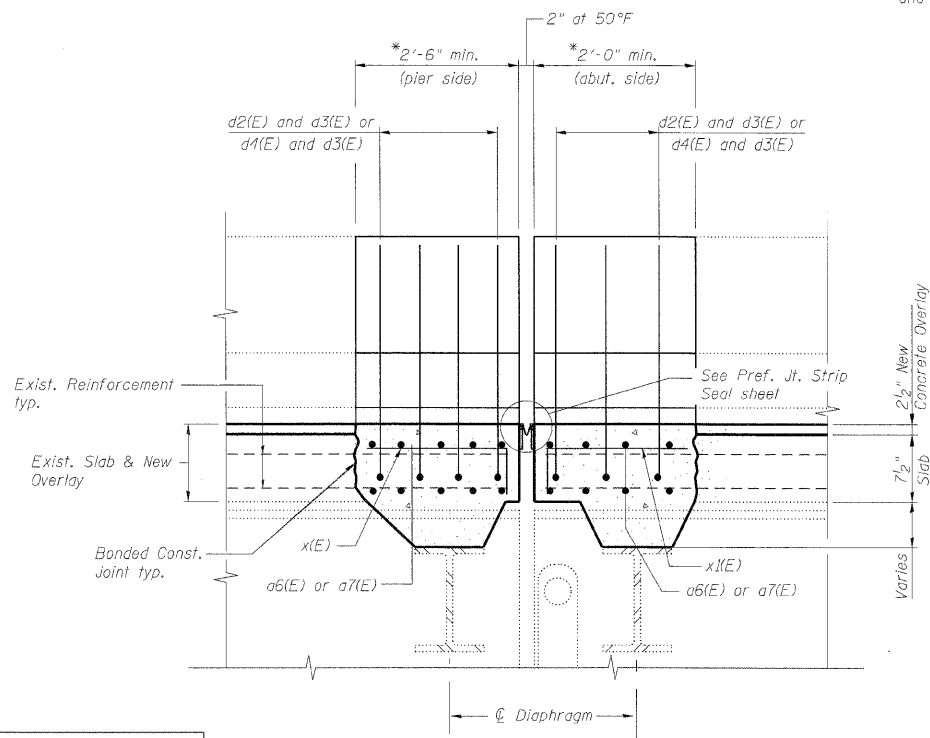


STATE OF ILLINOIS
DEPARTMENT OF TRANSPORTATION

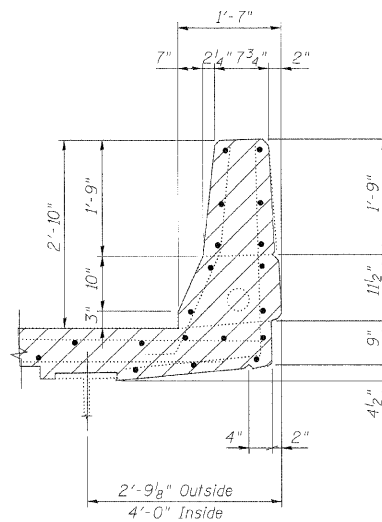


SECTION A-A

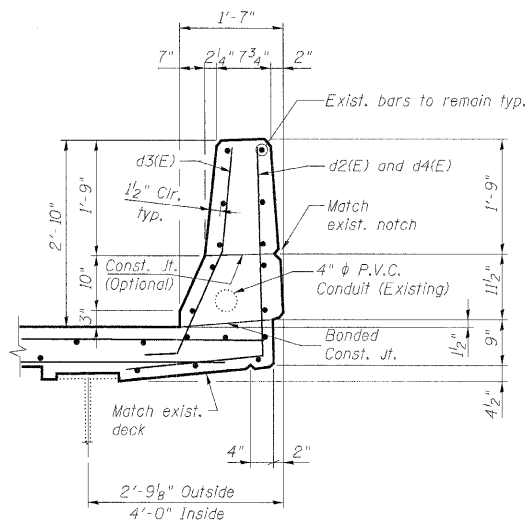
* Removal and reconstruction limits shall extend beyond the haunch between the diaphragm and the deck.



SECTION B-B



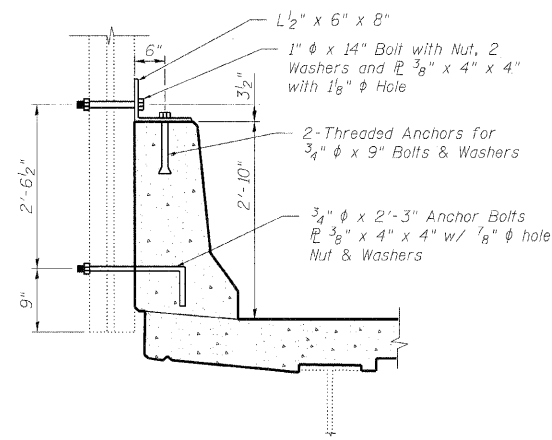
EXISTING PARAPET SECTION



PROPOSED PARAPET SECTION

Notes:

- Existing reinforcement bars extending into the concrete removal area shall be cleaned, straightened and incorporated into the new construction. Any reinforcement bars that are damaged during concrete removal shall be replaced with an approved bar splicer or anchorage system. Cost included with Concrete Removal.
- Existing reinforcement bars in the concrete removal area parallel to the expansion joints shall be removed.
- Removal and disposal of the existing expansion joints will not be paid for separately, but shall be included with the cost of Concrete Removal.
- The Contractor shall exercise extreme care with the existing conduits in sections of the parapet to be removed and to protect and support the conduit. The Contractor will be required to repair any damage done to the conduit to the satisfaction of the Engineer. No splicing will be allowed to any cable damage resulting from this work, instead the Contractor will be required to repair the entire span of any damaged cable at no additional cost to the Department.
- Existing noise wall to remain. Care shall be taken not to damage the noise wall during parapet removal and reconstruction. Any damage to the noise walls shall be repaired at no additional cost to the Department. If a noise wall connection falls within the limits of concrete removal, then the connection shall be removed and reinstalled and noise wall temporarily supported to the satisfaction of the Engineer. Cost included in Concrete Removal.
- Work this sheet with Expansion Joint Repairs sheet.



NOISE ABATEMENT WALL ATTACHMENT DETAIL

(East Parapet Only)
Locations to match existing and to be verified in the field.
Work to be performed per Art. 505 of the Std. Specs.
Cost included with Concrete Superstructure

EXPANSION JOINT DETAILS
STRUCTURE NO. 022-0137

DESIGNED	MFB
CHECKED	KWS
DRAWN	VH
CHECKED	KWS

benesch

alfred benesch & company
Engineers • Surveyors • Planners
205 North Michigan Avenue, Suite 2400
Chicago, Illinois 60601
312-665-0450 Job No. 10050

SHEET NO. 11	F.A.I. RTE.	SECTION	COUNTY	TOTAL SHEETS	SHEET NO.
	290	22(1, 1-1, 2&3)RS-7	DUPAGE	546	424
32 SHEETS	CONTRACT NO. 60G51				
FED. ROAD DIST. NO.		ILLINOIS	FED. AID PROJECT		