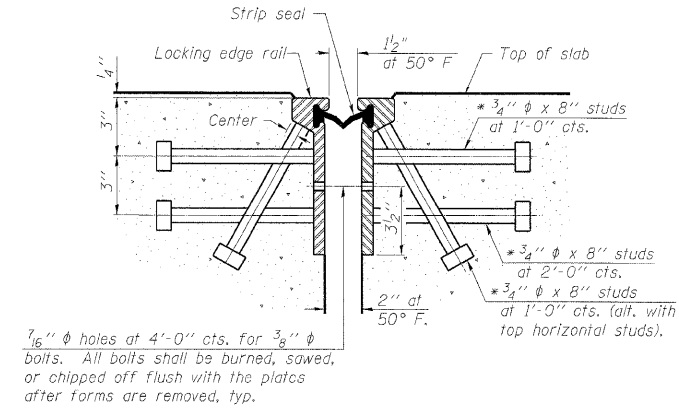
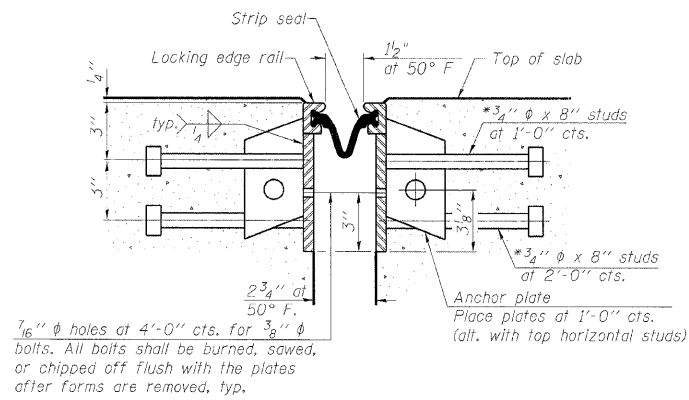


STATE OF ILLINOIS  
DEPARTMENT OF TRANSPORTATION

\* Granular or solid flux filled headed studs conforming to Article 1006.32 of the Std. Specs., automatically end welded.



SECTION THRU  
ROLLED RAIL JOINT



SECTION THRU  
WELDED RAIL JOINT

Notes:

The strip seal shall be made continuous and shall have a minimum thickness of 1/4". The configuration of the strip seal shall match the configuration of the Locking Edge Rails. Open or "webbed" strip seal gland configurations are not permitted. The gland shall be sized for a maximum rated movement of 4 inches.

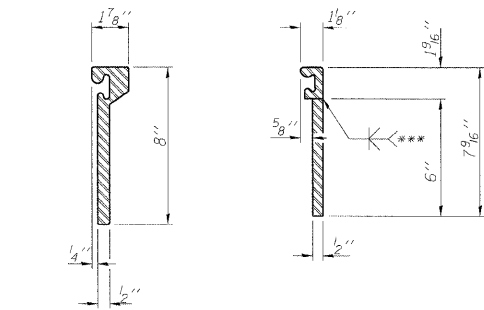
The height and thickness of the Locking Edge Rails shown are minimum dimensions. The actual configuration of the Locking Edge Rails and matching strip seal may vary from manufacturer to manufacturer. Flanged edge rails will not be allowed. Locking Edge Rails may be spliced at slope discontinuities and stage construction joints.

The manufacturer's recommended installation methods shall be followed. The joint opening and deck dimensions detailed on this sheet. Required modifications shall be made at no additional cost to the State.

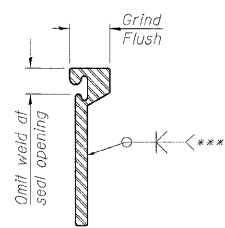
All steel components shall be galvanized after fabrication according to Article 520.03 of the Standard Specifications.

7/16"  $\phi$  holes at 4'-0" cts. for 3/8"  $\phi$  bolts. All bolts shall be burned, sawed, or chipped off flush with the plates after forms are removed, typ.

7/16"  $\phi$  holes at 4'-0" cts. for 3/8"  $\phi$  bolts. All bolts shall be burned, sawed, or chipped off flush with the plates after forms are removed, typ.



ROLLED  
EXTRUDED RAIL      WELDED RAIL

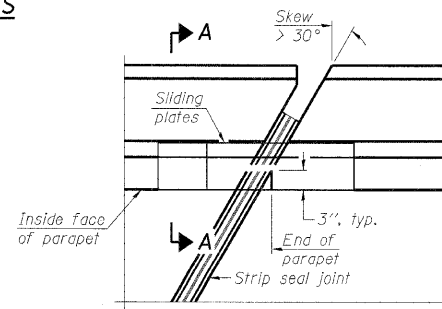


\*\*\*Back gouge not required if complete joint penetration is verified by mock-up.

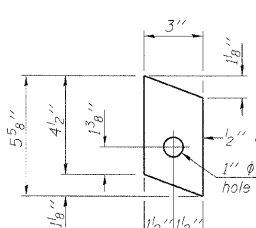
LOCKING EDGE  
RAIL SPLICE

The inside of the locking edge rail groove shall be free of weld residue.

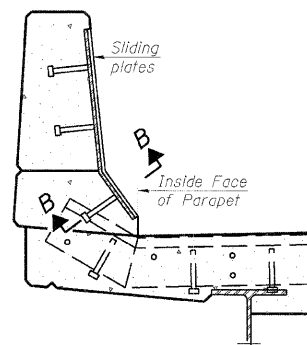
LOCKING EDGE RAILS



PLAN

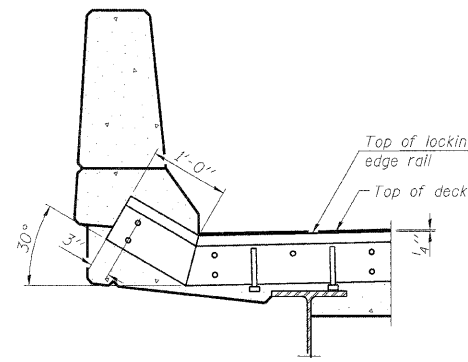


ANCHOR PLATE  
(for welded rail)

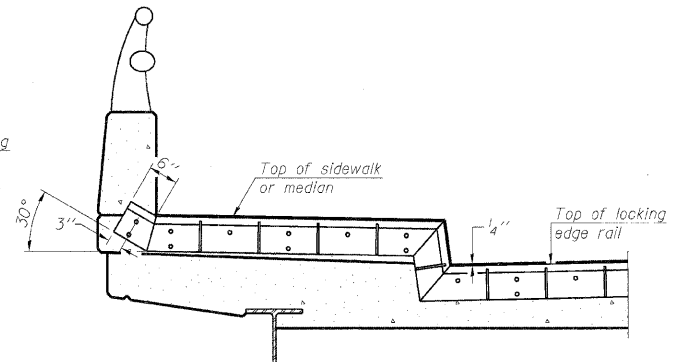


SECTION A-A

POINT BLOCK DETAILS  
(for skews > 30°)



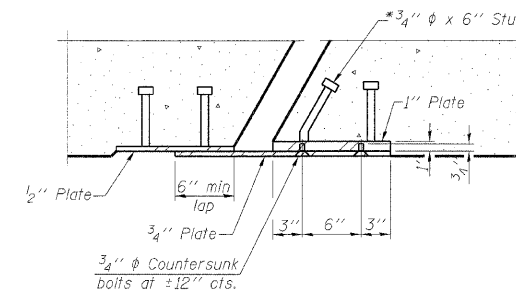
AT PARAPET



AT SIDEWALK OR MEDIAN

Shorter plates with a single row of studs at 12" cts. may be necessary on medians which are shallower than 9". See manufacturer's recommendation.

TYPICAL END TREATMENTS



SECTION B-B

BILL OF MATERIAL

Item	Unit	Total
Preformed Joint Strip Seal	Foot	243.0

DESIGNED	MFB
CHECKED	KWS
DRAWN	RMG
CHECKED	KWS

EJ-SSJ

10-1-08

benesch

alfred benesch & company  
Engineers - Surveyors - Planners  
205 North Michigan Avenue, Suite 2400  
Chicago, Illinois 60601  
312-666-0460      Job No. 10050

SHEET NO. 12	F.A.I. RTE.	SECTION	COUNTY	TOTAL SHEETS	SHEET NO.
32 SHEETS	290 355	221, 1-1, 2&3RS-7	DUPAGE	546	425
			CONTRACT NO. 60G51		
FED. ROAD DIST. NO.		ILLINOIS	FED. AID PROJECT		