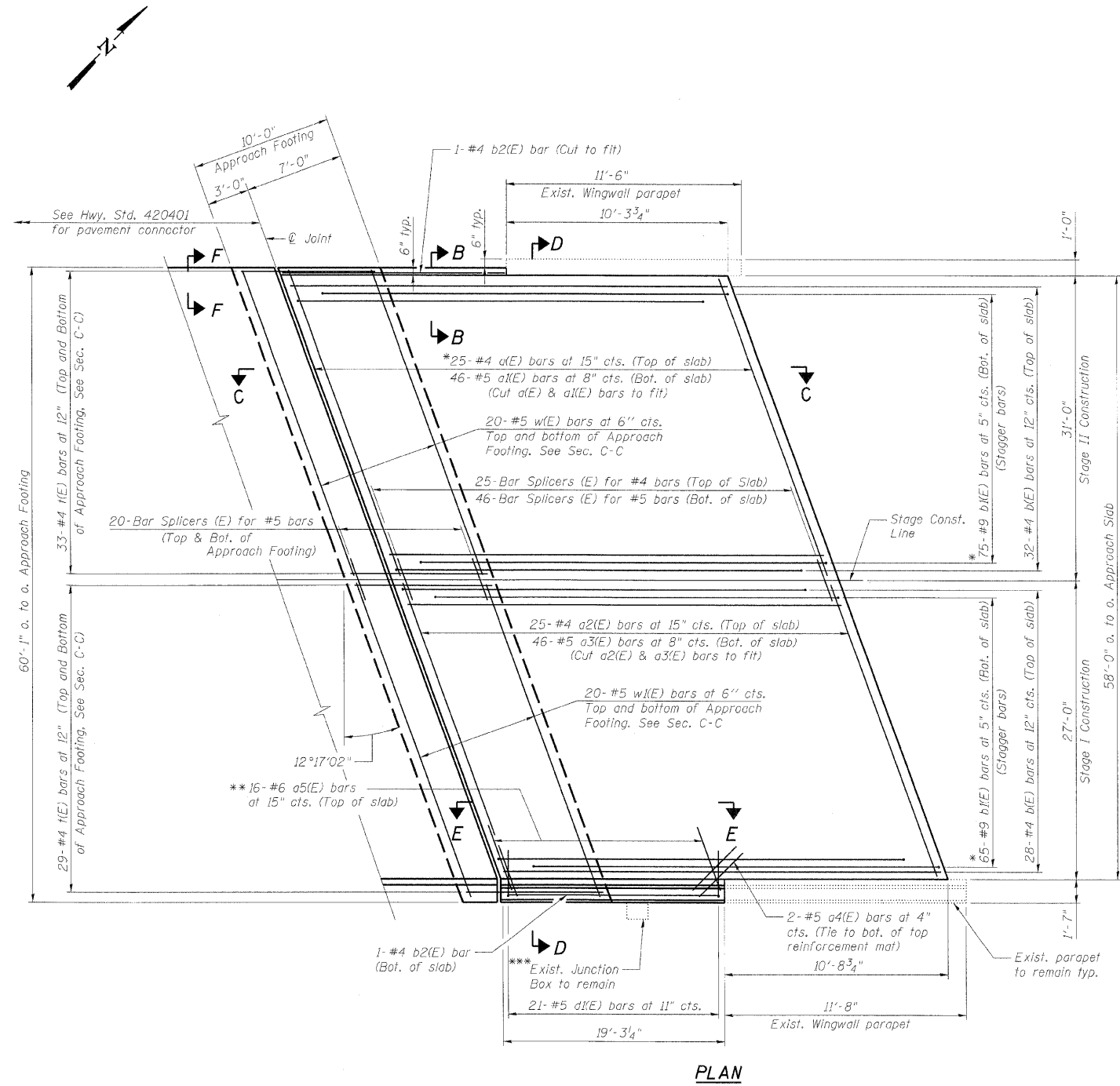
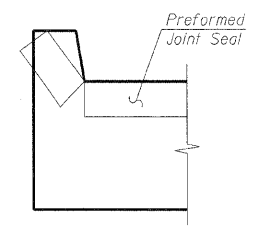


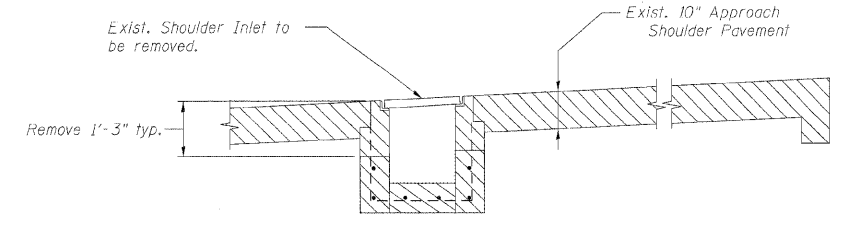
STATE OF ILLINOIS
DEPARTMENT OF TRANSPORTATION



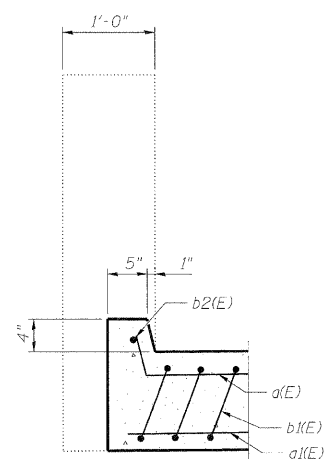
PLAN



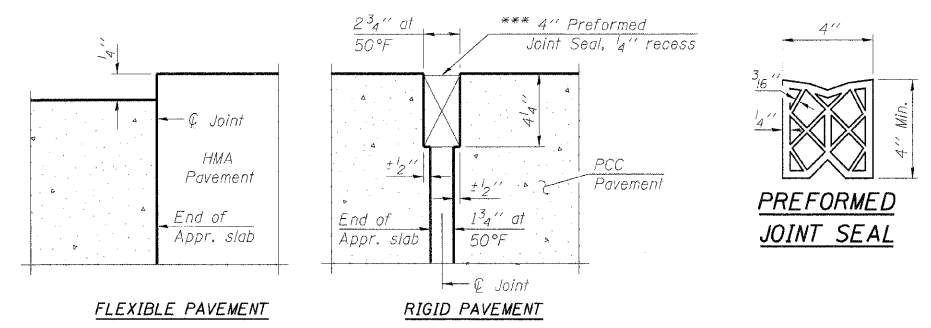
VIEW F-F
Angle Preformed Joint Seal at 45°
at curbs when req'd for drainage.



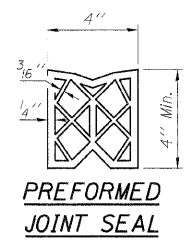
APPROACH SLAB REMOVAL DETAIL AT INLET



SECTION B-B



DETAIL 3



PREFORMED JOINT SEAL

Note:
Work this sheet with South Bridge Approach
Slab Details (2 of 2).

SOUTH BRIDGE APPROACH SLAB DETAILS
(1 OF 2)
STRUCTURE NO. 022-0111

DESIGNED -	JLS/MFB
CHECKED -	KWS
DRAWN -	RMG
CHECKED -	KWS

benesch
alfred benesch & company
Engineers • Surveyors • Planners
205 North Michigan Avenue, Suite 2400
Chicago, Illinois 60601
312-565-0450 Job No. 10050

SHEET NO. 6 28 SHEETS	F.A.I. RTE. 290	SECTION 22(1, 1-1, 2&3)RS-7	COUNTY DUPAGE	TOTAL SHEETS 546	SHEET NO. 451
	CONTRACT NO. 60G51				
FED. ROAD DIST. NO.		ILLINOIS	FED. AID PROJECT		

x:\10000s\10050\engineering\documents\contract\1\SN.022.0111.Lake.St.0111-006-Approach.1.dgn 18:16:27 11/12/2009