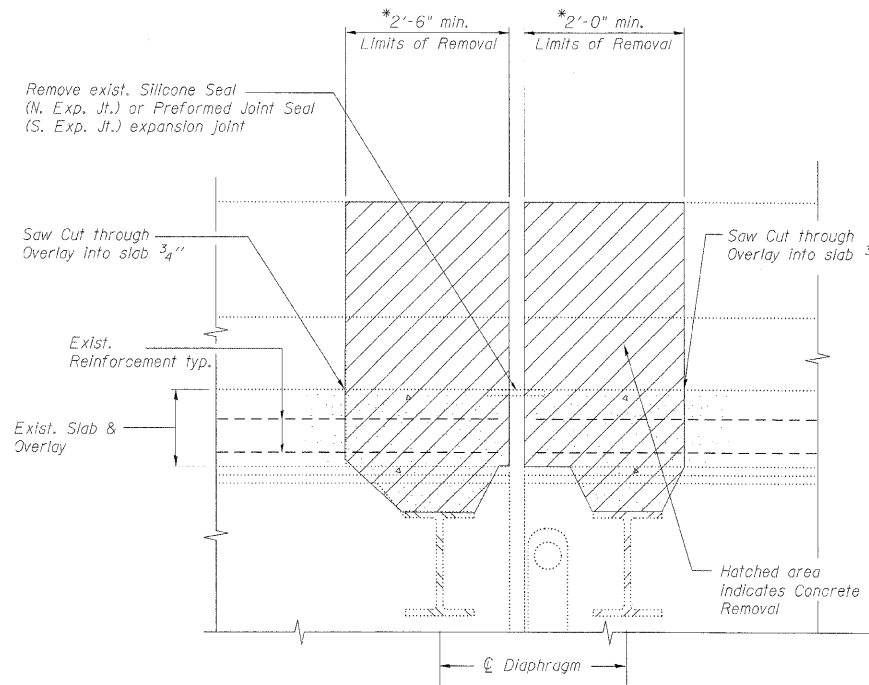
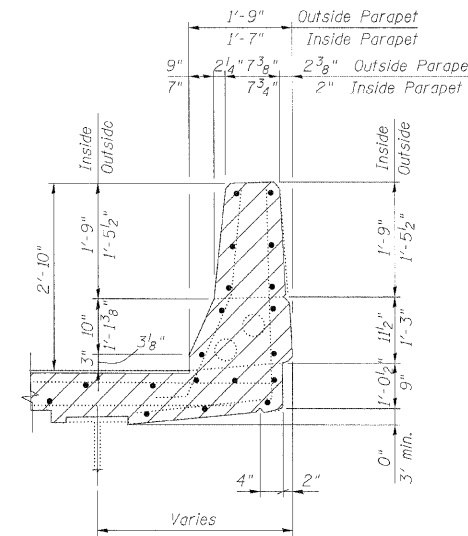


STATE OF ILLINOIS  
DEPARTMENT OF TRANSPORTATION



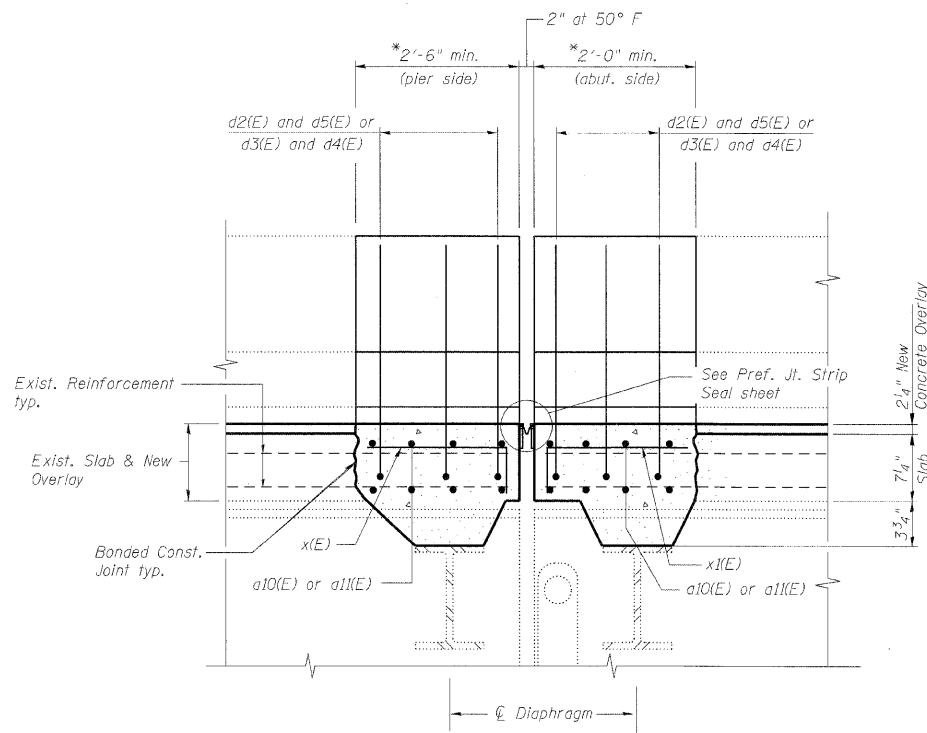
SECTION A-A



EXISTING PARAPET SECTION

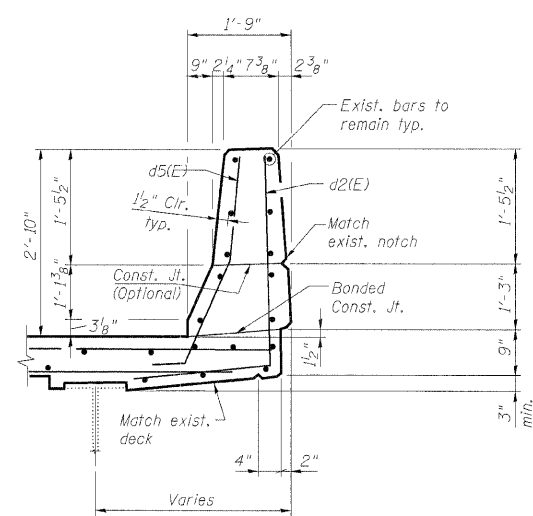
Notes:

- Existing reinforcement bars extending into the concrete removal area shall be cleaned, straightened and incorporated into the new construction. Any reinforcement bars that are damaged during concrete removal shall be replaced with an approved bar splicer or anchorage system. Cost included with Concrete Removal.
- Existing reinforcement bars in the concrete removal area parallel to the expansion joints shall be removed.
- Removal and disposal of the existing expansion joints will not be paid for separately, but shall be included with the cost of Concrete Removal.
- The Contractor shall exercise extreme care with the existing conduits in sections of the parapet to be removed and to protect and support the conduit. The Contractor will be required to repair any damage done to the conduit to the satisfaction of the Engineer. No splicing will be allowed to any cable damage resulting from this work, instead the Contractor will be required to repair the entire span of any damaged cable at no additional cost to the Department.
- Work this sheet with Expansion Joint Repairs sheet.

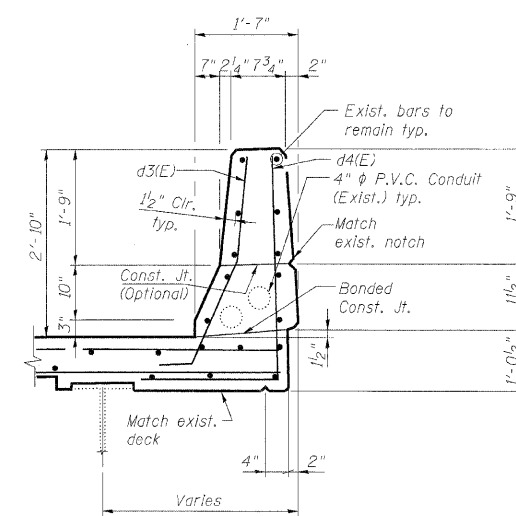


SECTION B-B

\*Removal and reconstruction limits shall extend beyond the haunch between the diaphragm and the deck.



PROPOSED OUTSIDE PARAPET SECTION



PROPOSED INSIDE PARAPET SECTION

EXPANSION JOINT DETAILS  
STRUCTURE NO. 022-0111

DESIGNED	MFB
CHECKED	KWS
DRAWN	VH
CHECKED	KWS

benesch

alfred benesch & company  
Engineers • Surveyors • Planners  
205 North Michigan Avenue, Suite 2400  
Chicago, Illinois 60601  
312-566-0450 Job No. 10050

SHEET NO. 11	F.A.I. RTE.	SECTION	COUNTY	TOTAL SHEETS	SHEET NO.
	290	22(1, 1-1, 2&3)RS-7	DUPAGE	546	456
28 SHEETS	355	CONTRACT NO. 60G51			
FED. ROAD DIST. NO.		ILLINOIS FED. AID PROJECT			