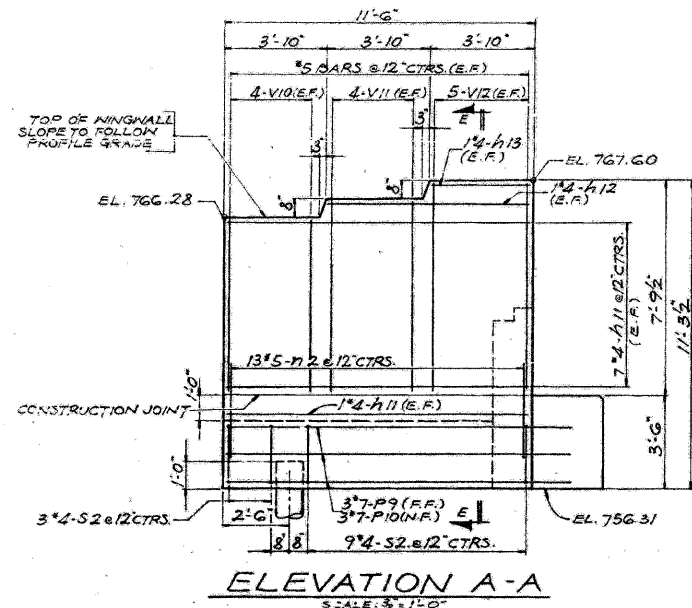


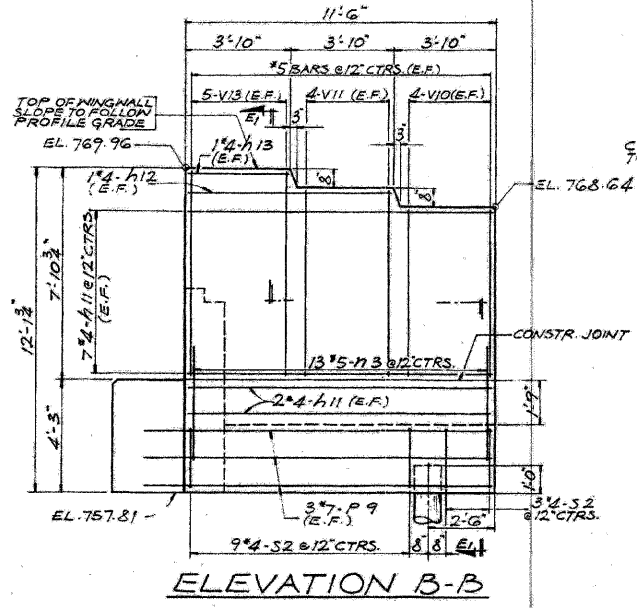
STATE OF ILLINOIS
DEPARTMENT OF TRANSPORTATION

ROUTE	SECTION	COUNTY	TOTAL SHEETS	SHEET NO.
F.A.P. 61	22-5HB	DUPAGE	181	79
STA.	TO STA.			
ILLINOIS		PROJECT		

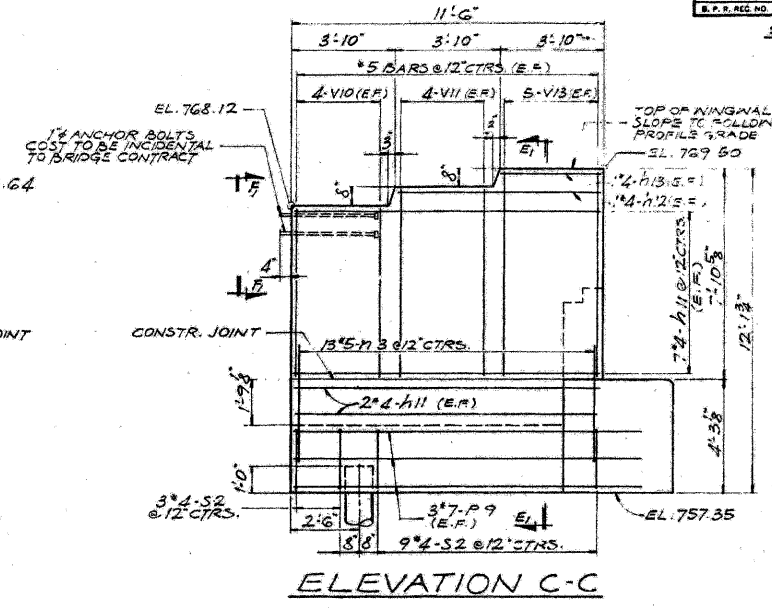
SHEET 15 OF 23



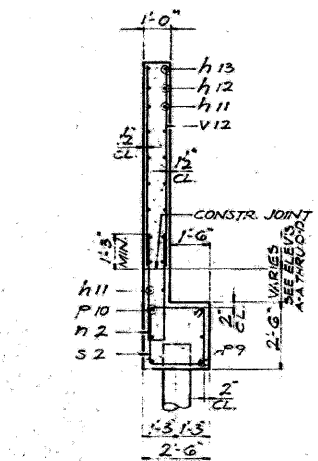
ELEVATION A-A
SCALE: 3/8\"/>



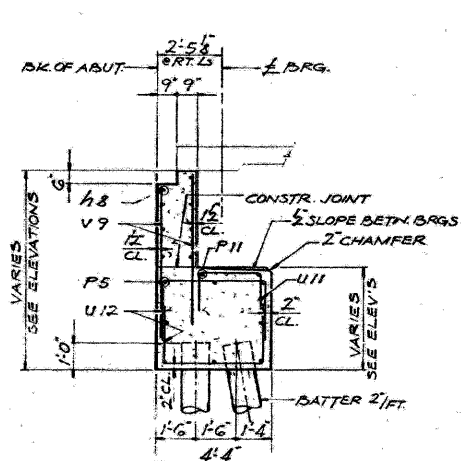
ELEVATION B-B



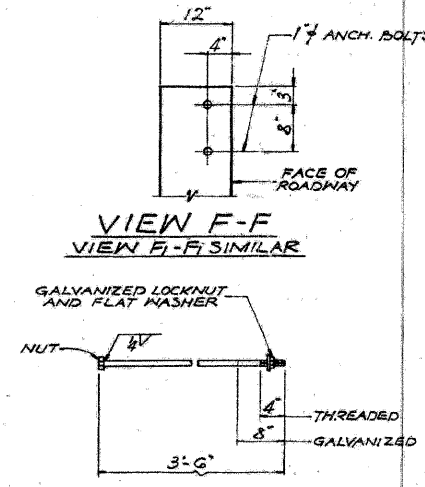
ELEVATION C-C



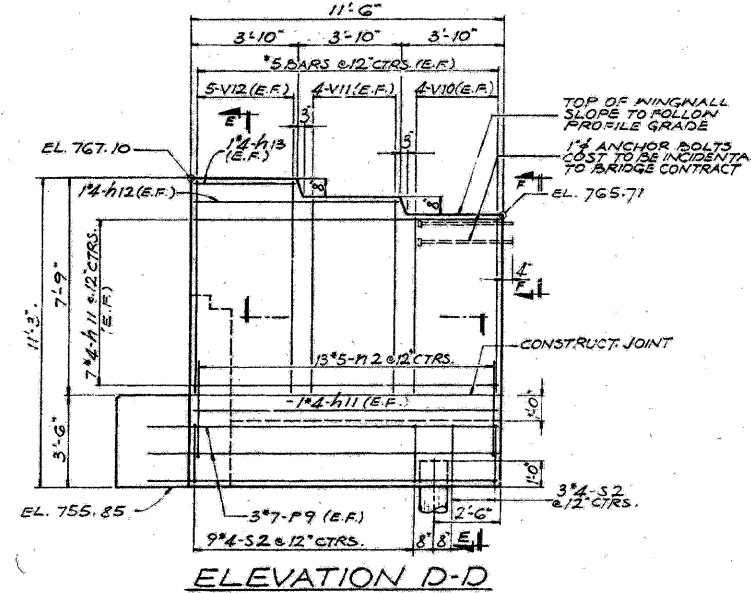
SECTION E-E
SECTION E-E, SIMILAR
SCALE: 3/8\"/>



SECTION H-H
SCALE: 3/8\"/>



1 1/4 ANCHOR BOLTS



ELEVATION D-D

ABUTMENT DETAILS-SOUTH BOUND
F.A. ROUTE 61 OVER
F.A. ROUTE 6 (LAKE STREET)
PROJECT
SECTION 22-5HB
DUPAGE COUNTY
STATION 1239+49.90

ALFRED BENESCH & COMPANY
CONSULTING ENGINEERS
10 S. WABASH AVE. CHICAGO, ILLINOIS

FOR INFORMATION ONLY

benesch

alfred benesch & company
Engineers • Surveyors • Planners
205 North Michigan Avenue, Suite 2400
Chicago, Illinois 60601
312-565-0460 Job No. 10050

SHEET NO. 28	F.A.I. RTE.	SECTION	COUNTY	TOTAL SHEETS	SHEET NO.
	290	22(1, 1-1, 2&3)RS-7	DUPAGE	546	473
28 SHEETS	CONTRACT NO. 60G51				
FED. ROAD DIST. NO.		ILLINOIS	FED. AID PROJECT		

EXISTING PLAN INFORMATION 13 OF 13
STRUCTURE NO. 022-0111

18:18:34 x:\10000s\10050\engineer\ing-documents\contract\1\SN.022.0111.0112.Lake.St\0111.60G51-028-Exis.splan.13.dgn 11/12/2009