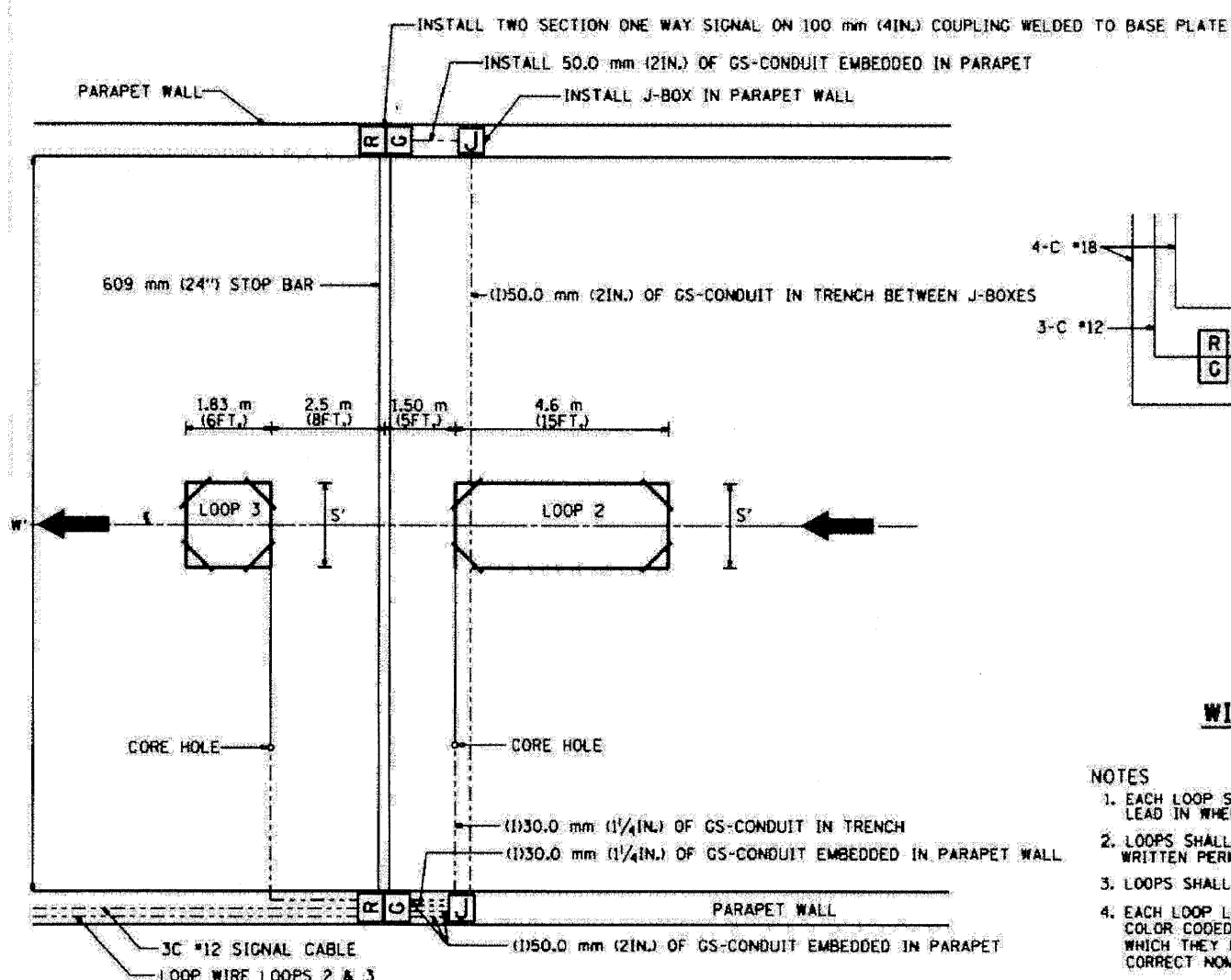
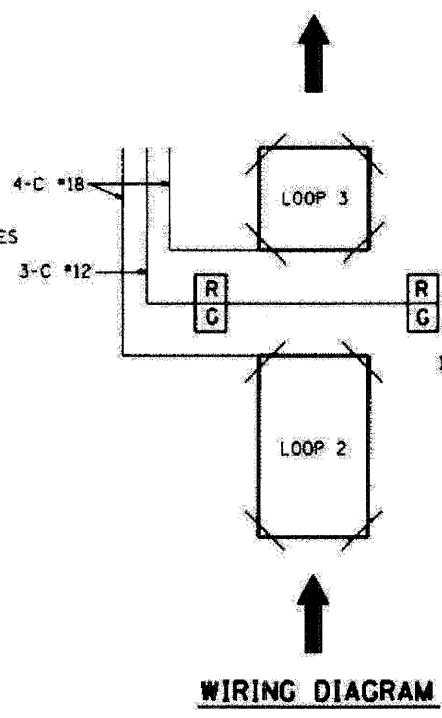


F.A.J. SITE	SECTION	COUNTY	TOTAL SHEETS	SHEET NO.
STA. _____	TO STA. _____		546	520
FED. ROAD DIST. NO.	ILLINOIS FED. AID PROJECT			

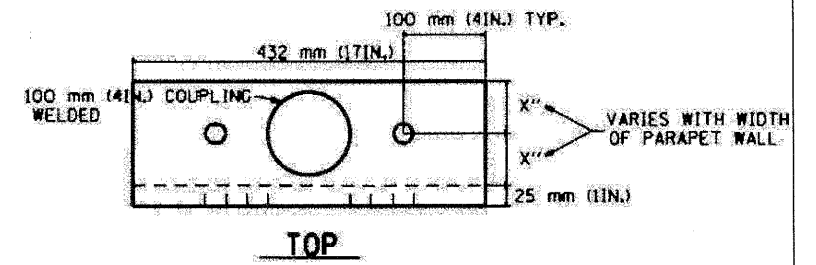


TYPICAL LOOP LAYOUT

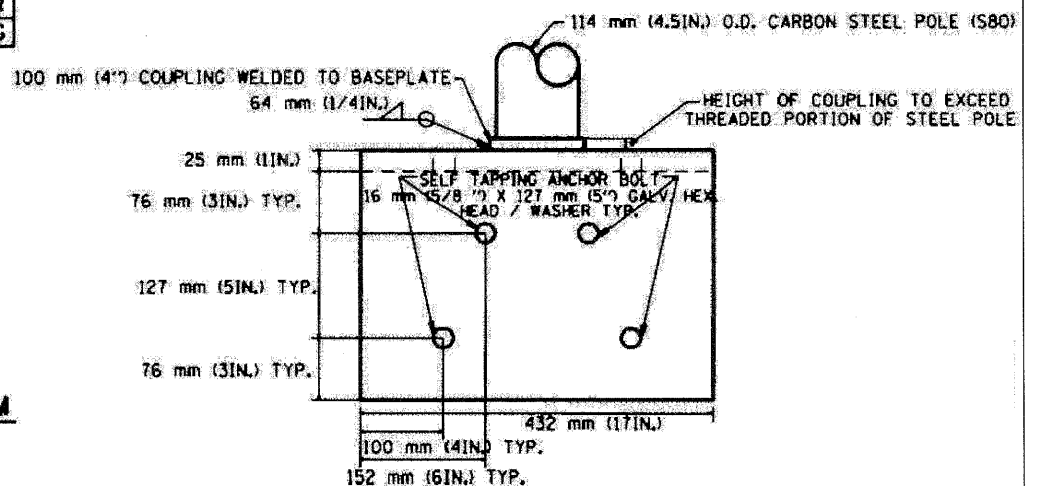


WIRING DIAGRAM

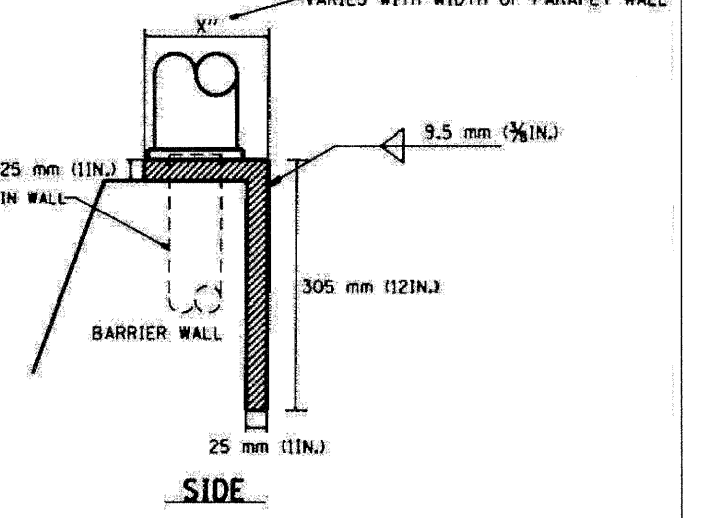
- NOTES**
1. EACH LOOP SHALL BE SPLICED TO A 4-C NO.18 TWISTED SHIELDED LEAD IN WHEN 45 m (150FT.) OR MORE FROM CABINET.
 2. LOOPS SHALL BE SPLICED IN HANDHOLES OR J-BOX ONLY, OTHERWISE WRITTEN PERMISSION SHALL BE OBTAINED FROM TSC ENGINEER.
 3. LOOPS SHALL NOT BE SPLICED IN SERIES.
 4. EACH LOOP LEAD IN SHALL BE IDENTIFIED AND PERMANENTLY COLOR CODED IN THE COREHOLE, HANDHOLE & CABINETS THRU WHICH THEY ENTER OR PASS AND TAGGED WITH THE CORRECT NOMENCLATURES.



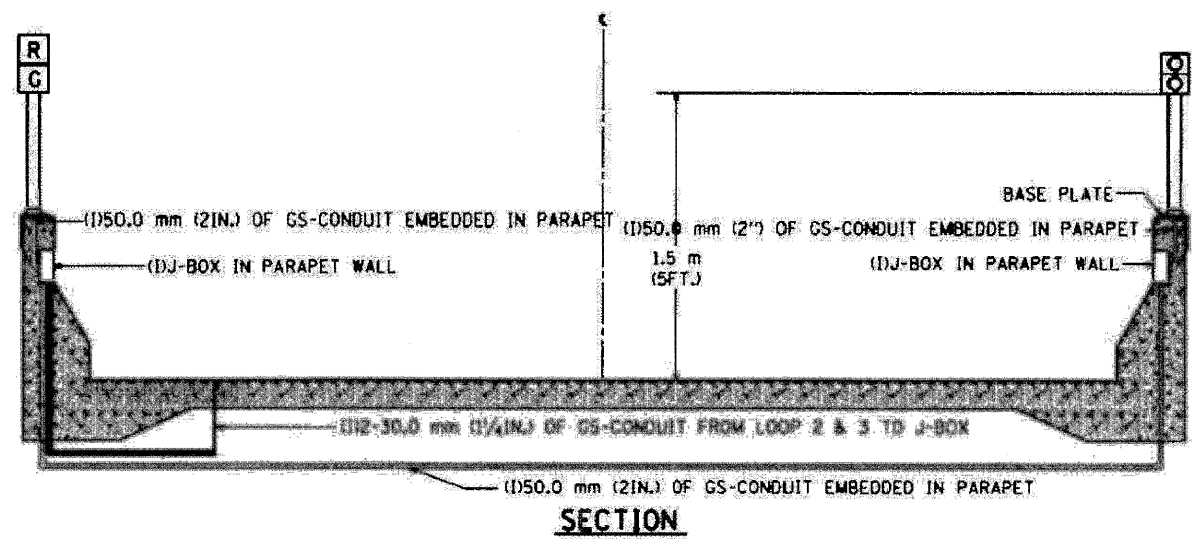
TOP



FRONT



SIDE



SECTION

TABLE 1

WIDTH (W)	WIDTH (S)
3.7 m (12')	2.5 m (8')
4.0 m (13')	2.8 m (9')
4.3 m (14')	3.1 m (10')
4.6 m (15')	3.4 m (11')
4.9 m (16')	3.7 m (12')
5.2 m (17')	4.0 m (13')
5.5 m (18')	4.3 m (14')
5.8 m (19')	4.6 m (15')
6.1 m (20')	4.9 m (16')
6.4 m (21')	5.2 m (17')
6.7 m (22')	5.5 m (18')
7.0 m (23')	5.8 m (19')
7.3 m (24')	6.1 m (20')
7.6 m (25')	6.4 m (21')

REVISIONS

NO.	DATE	DESCRIPTION
1.	1/94	
2.	2/96	
3.	3/96	
4.	2/98	

ILLINOIS DEPARTMENT OF TRANSPORTATION
 TRAFFIC SYSTEMS CENTER
**TYPICAL RAMP METERING
 TYPE 3 BARRIER WALL
 INSTALLATION**
 SCALE: VERT. NONE
 HORIZ. 1/8"=1'-0"
 DATE: 5-22-94
 DRAWN BY: G.A.L.
 CHECKED BY: R.L.

TRAFFIC SYSTEMS CENTER (TY-1TSC-400*3)

FILE NAME =	DESIGNED - GHT	REVISED -
...Np01n.ABC.D1.TS_DET_03.dgn	DRAWN - TMB	REVISED -
USER NAME = tblank	CHECKED - MPM	REVISED -
PLOT DATE = 11/13/2009	DATE - 10/16/09	REVISED -

benesch
 STATE OF ILLINOIS
 DEPARTMENT OF TRANSPORTATION

TRAFFIC SYSTEMS CENTER
 DETAIL SHEETS
 SCALE: N.T.S. SHEET NO. 3 OF 14 SHEETS STA. TO STA.

F.A.J. SITE	SECTION	COUNTY	TOTAL SHEETS	SHEET NO.
220, 1-1, 2&3RS-7			546	520
*290,355	CONTRACT NO. 60G51			
FED. ROAD DIST. NO.		ILLINOIS FED. AID PROJECT		