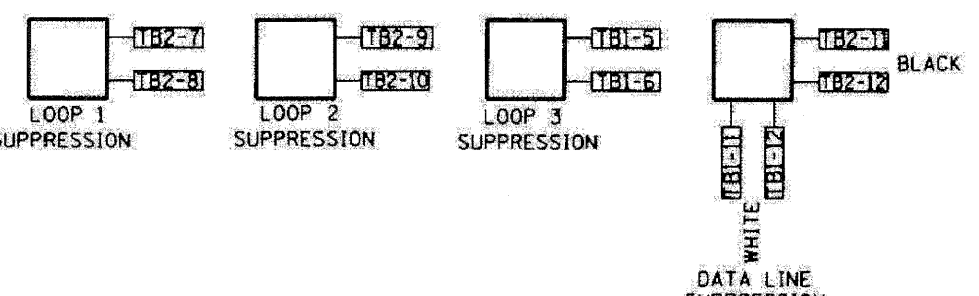
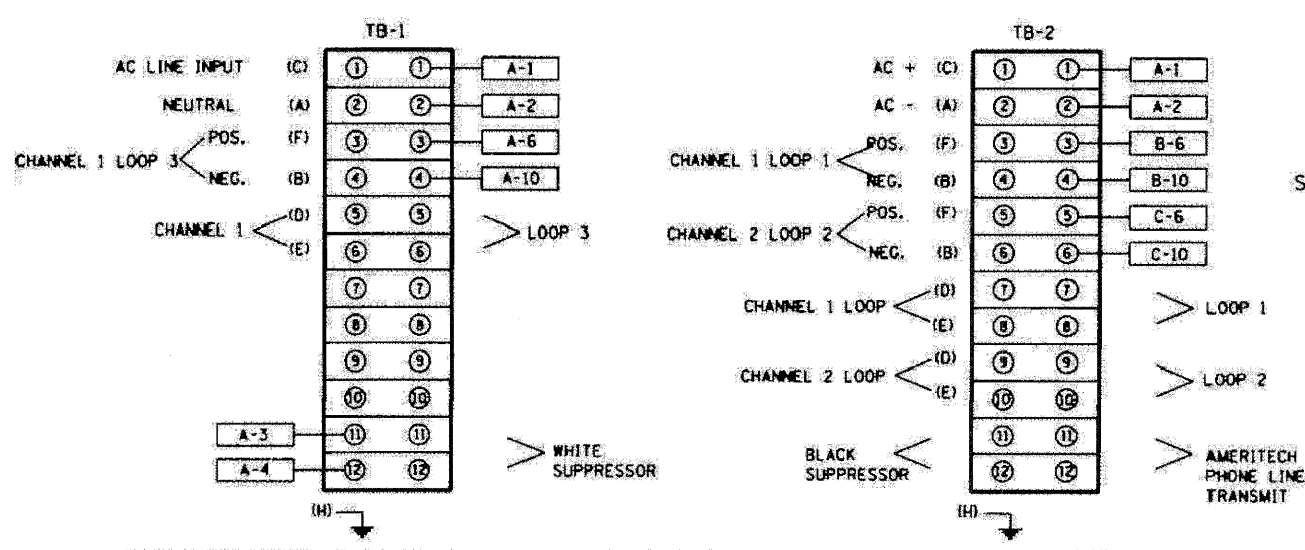
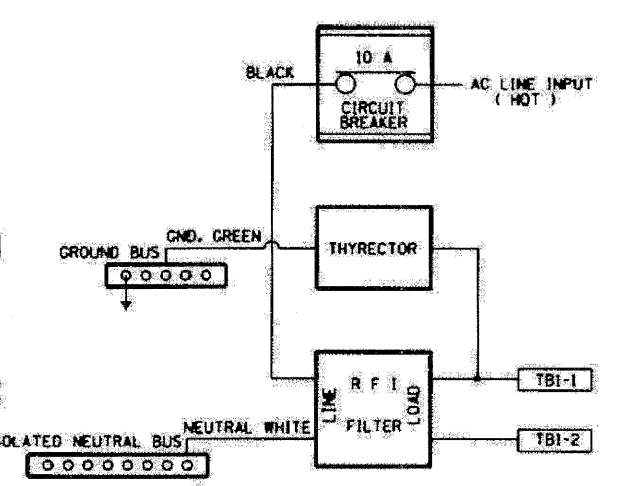
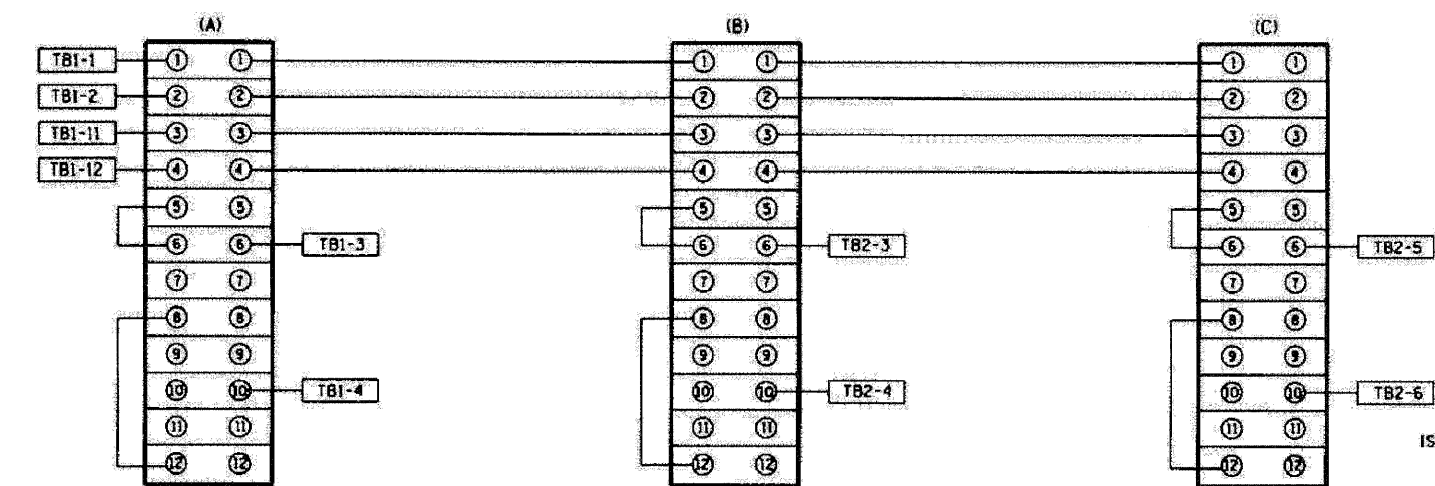
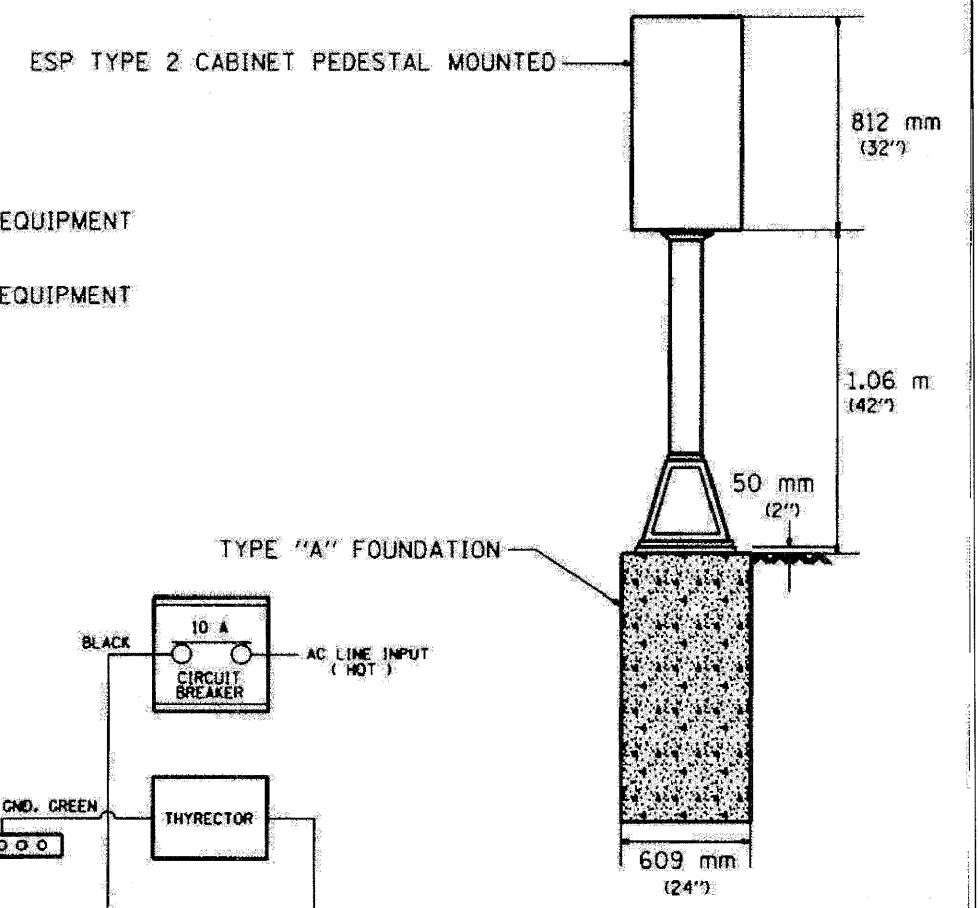
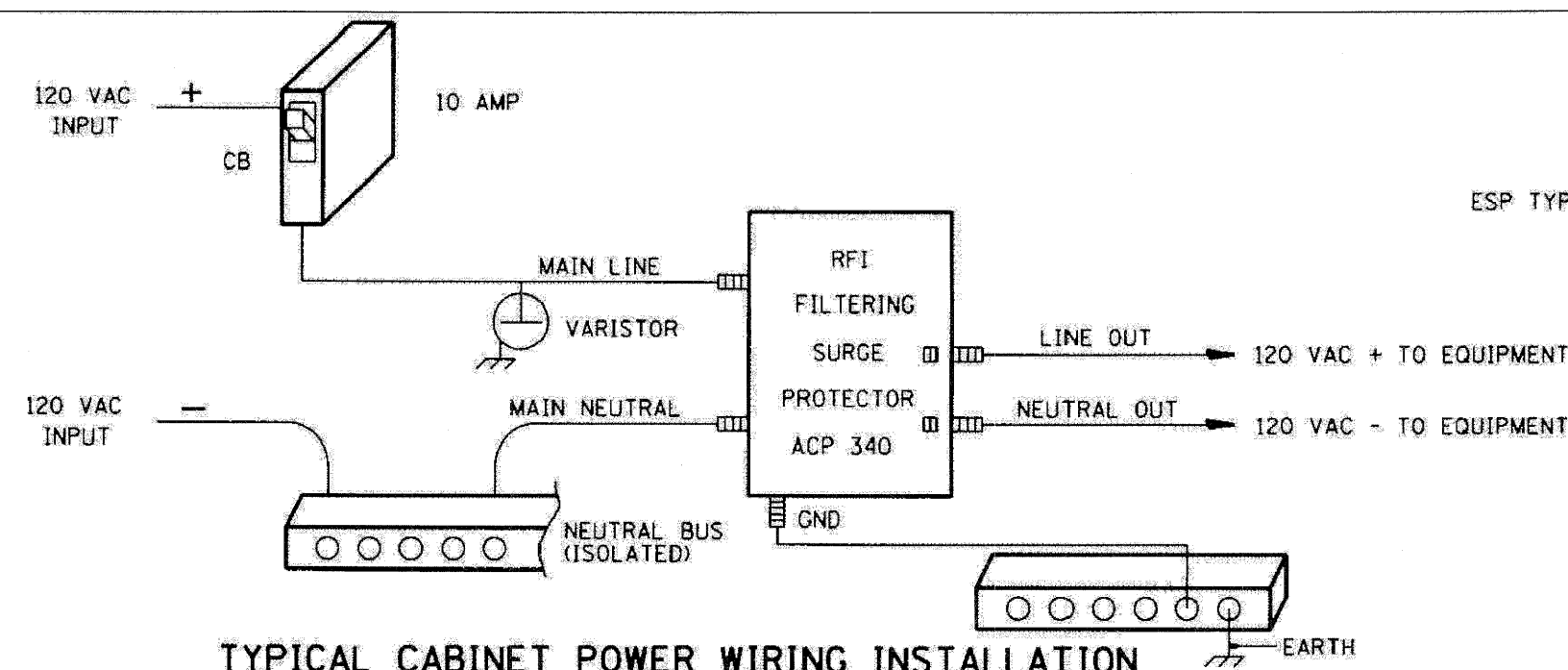


F.A.I. RTE.	SECTION	COUNTY	TOTAL SHEETS	SHEET NO.
STA. _____	TO STA. _____		546	521
FED. ROAD DIST. NO. _____		ILLINOIS FED. AID PROJECT _____		



REVISIONS		ILLINOIS DEPARTMENT OF TRANSPORTATION TRAFFIC SYSTEMS CENTER
NO.	DATE	
		TYPE II CABINET WIRING SCALE: VERT. NONE HORIZ. NONE DATE: 6-21-94 DRAWN BY: GAL CHECKED BY: T.C.

TRAFFIC SYSTEMS CENTER (TY-1TSC-400*5)

FILE NAME = ...Npp111.ABC.C1.TS_DET_04.dgn	DESIGNED - GHT	REVISED -
USER NAME = tblank	DRAWN - TMB	REVISED -
PLOT DATE = 11/13/2009	CHECKED - MPV	REVISED -
	DATE - 10/16/09	REVISED -

benesch

STATE OF ILLINOIS
DEPARTMENT OF TRANSPORTATION

TRAFFIC SYSTEMS CENTER
DETAIL SHEETS

SCALE: N.T.S. SHEET NO. 4 OF 14 SHEETS STA. _____ TO STA. _____

F.A.I. RTE.	SECTION	COUNTY	TOTAL SHEETS	SHEET NO.
	220, 1-1, 2&3RS-7		546	521
*290,355		CONTRACT NO. 60G51		
FED. ROAD DIST. NO. _____		ILLINOIS FED. AID PROJECT _____		