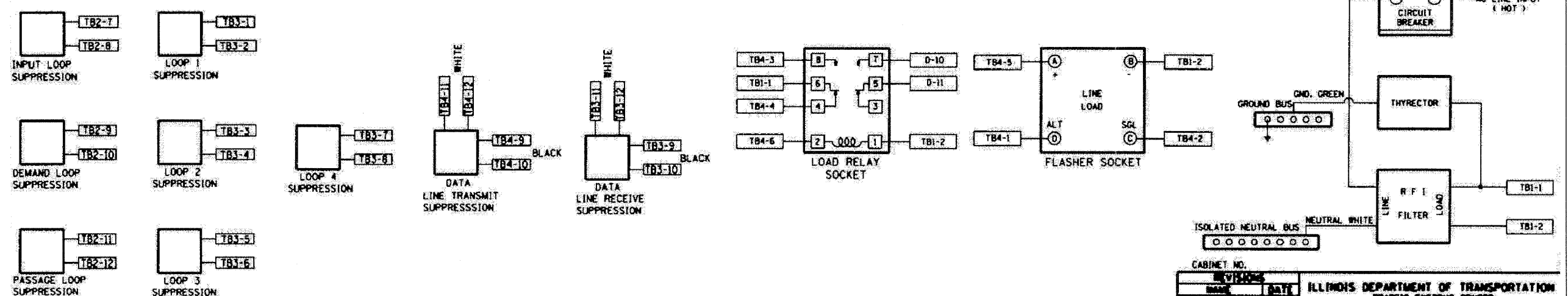
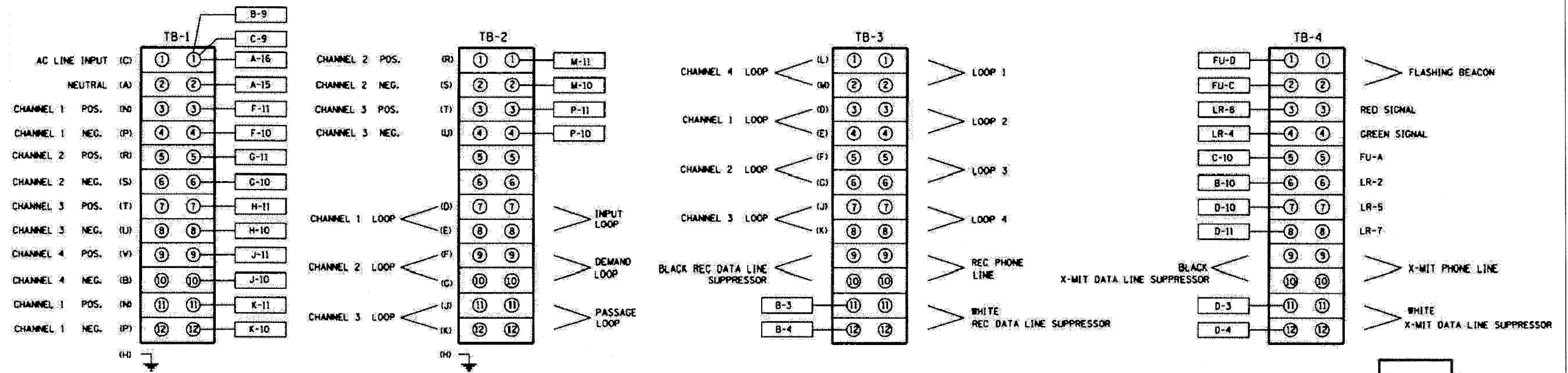
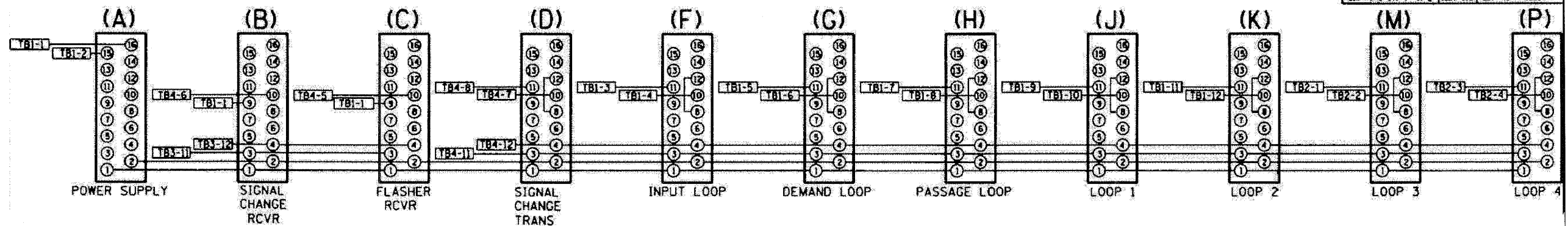


BACK VIEW OF TONE RACK

F.A.I. RTE.	SECTION	COUNTY	TOTAL SHEETS	SHEET NO.
STA.	TO STA.			
FED. ROAD DIST. NO.		ILLINOIS FED. AID PROJECT		



REVISED	DATE	BY
T.C.	6/94	
R.L.	3/93	
R.L.	5/91	

ILLINOIS DEPARTMENT OF TRANSPORTATION
TRAFFIC SYSTEMS CENTER
METERING CABINET WIRING DIAGRAM
SCALE: NONE
DATE: 6/21/94
DRAWN BY: G.L.
CHECKED BY: T.C.

TRAFFIC SYSTEMS CENTER (TY-1TSC-400#8)

FILE NAME = ...	DESIGNED - GHT	REVISED -
USER NAME = tblank	DRAWN - TMB	REVISED -
PLOT DATE = 11/13/2009	CHECKED - MPV	REVISED -
	DATE - 10/16/09	REVISED -

benesch

STATE OF ILLINOIS
DEPARTMENT OF TRANSPORTATION

TRAFFIC SYSTEMS CENTER DETAIL SHEETS	SCALE: N.T.S.	SHEET NO. 5 OF 14 SHEETS	STA. TO STA.
---	---------------	--------------------------	--------------

F.A.I. RTE.	SECTION	COUNTY	TOTAL SHEETS	SHEET NO.
220, 1-1, 2&3RS-7	DUPAGE	546	522	
*290,355	CONTRACT NO. 60G51			
FED. ROAD DIST. NO.		ILLINOIS FED. AID PROJECT		