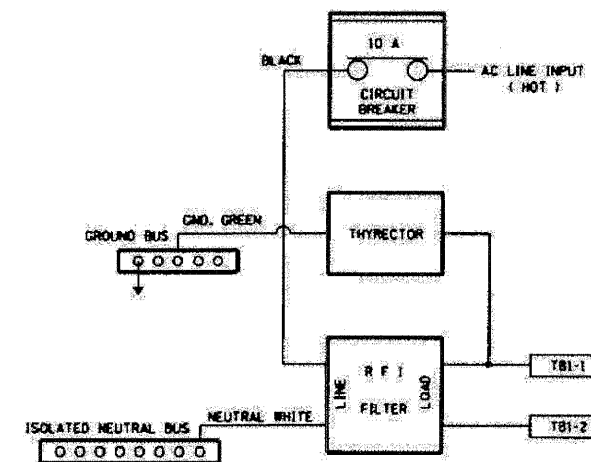
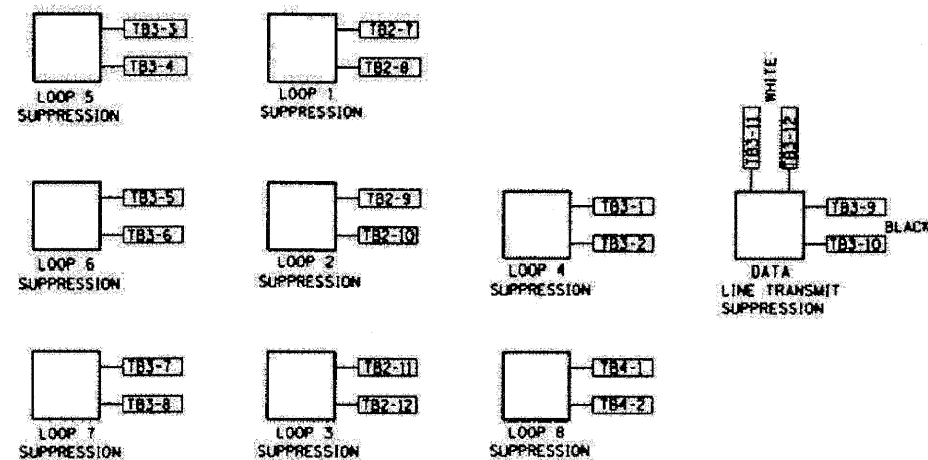
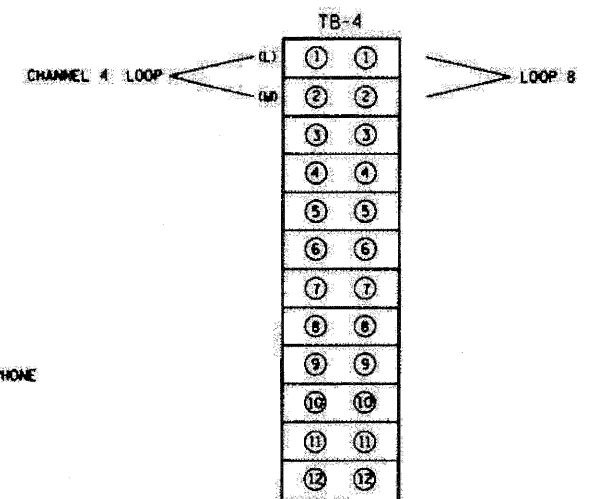
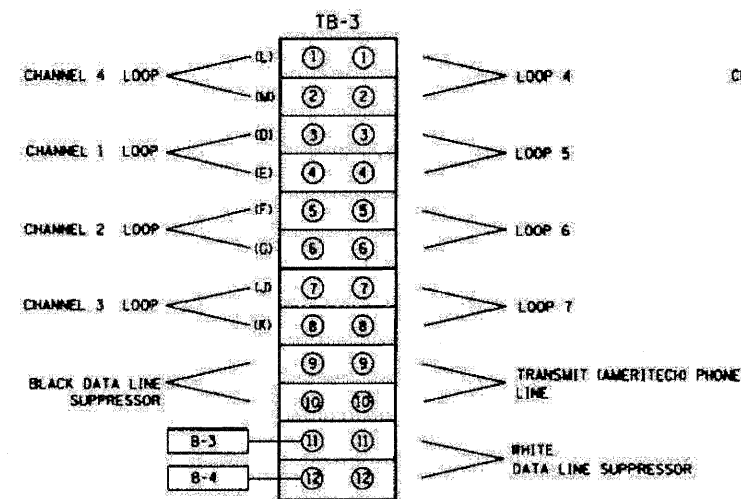
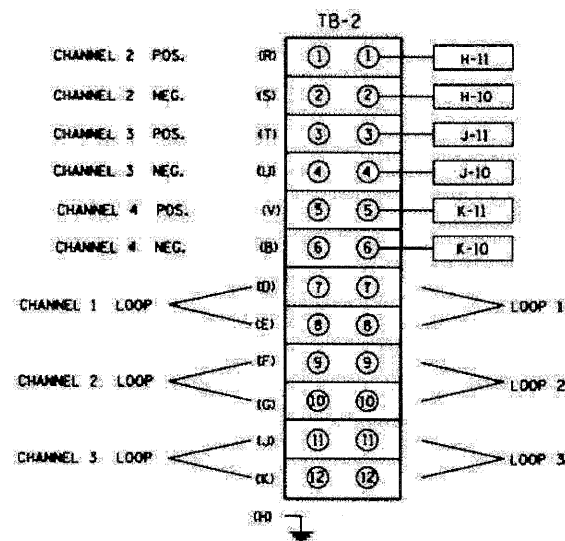
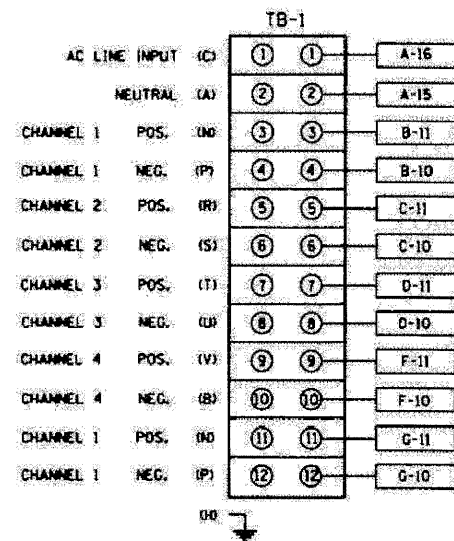
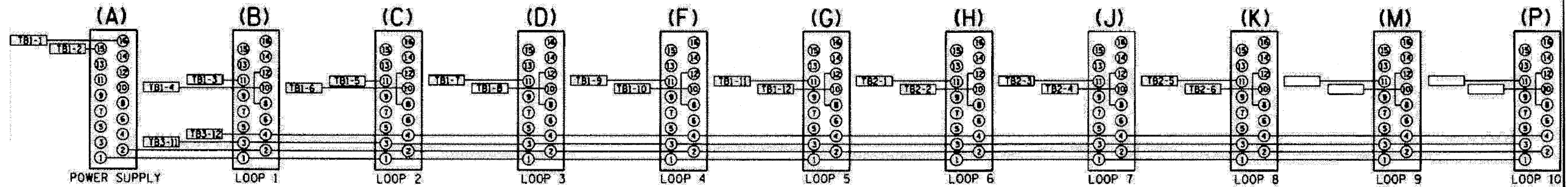


|                     |                           |        |              |           |
|---------------------|---------------------------|--------|--------------|-----------|
| F.A.I. RTE.         | SECTION                   | COUNTY | TOTAL SHEETS | SHEET NO. |
| STA. _____          | TO STA. _____             |        |              |           |
| FED. ROAD DIST. NO. | ILLINOIS FED. AID PROJECT |        |              |           |

BACK VIEW OF TONE RACK



|           |      |                                  |   |
|-----------|------|----------------------------------|---|
| REVISIONS |      | CABINET NO.                      | ILLINOIS DEPARTMENT OF TRANSPORTATION<br>TRAFFIC SYSTEMS CENTER |
| NO.       | DATE |                                  |   |
|           |      | TYPE 3 CABINET<br>WIRING DIAGRAM | SCALE: NONE<br>DATE 10/17/85                                    |
|           |      |                                  |   |
|           |      | DRAWN BY G.M.                    | CHECKED BY R.L.   |

TRAFFIC SYSTEMS CENTER (TY-1TSC-400\*13)

|                                |                 |           |
|--------------------------------|-----------------|-----------|
| FILE NAME =                    | DESIGNED - GHT  | REVISED - |
| ...Nprpin.ABC.CI.TS_DET_08.dgn | DRAWN - TMB     | REVISED - |
| USER NAME = tblank             | CHECKED - MPW   | REVISED - |
| PLOT DATE = 11/13/2009         | DATE - 10/16/09 | REVISED - |

benesch

STATE OF ILLINOIS  
DEPARTMENT OF TRANSPORTATION

TRAFFIC SYSTEMS CENTER  
DETAIL SHEETS

SCALE: N.T.S. SHEET NO. 6 OF 14 SHEETS STA. TO STA.

|                     |                           |                    |              |           |
|---------------------|---------------------------|--------------------|--------------|-----------|
| F.A.I. RTE.         | SECTION                   | COUNTY             | TOTAL SHEETS | SHEET NO. |
|                     | 22(1, 1-1, 2&3)RS-7       | DUPAGE             | 546          | 523       |
|                     | *290,355                  | CONTRACT NO. 60G51 |              |           |
| FED. ROAD DIST. NO. | ILLINOIS FED. AID PROJECT |                    |              |           |