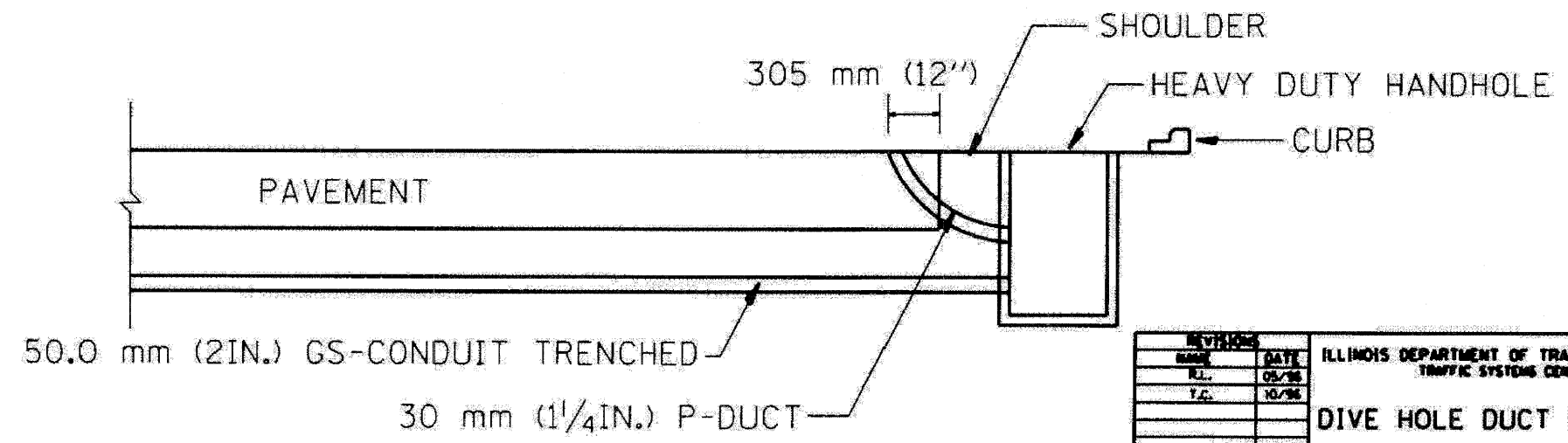
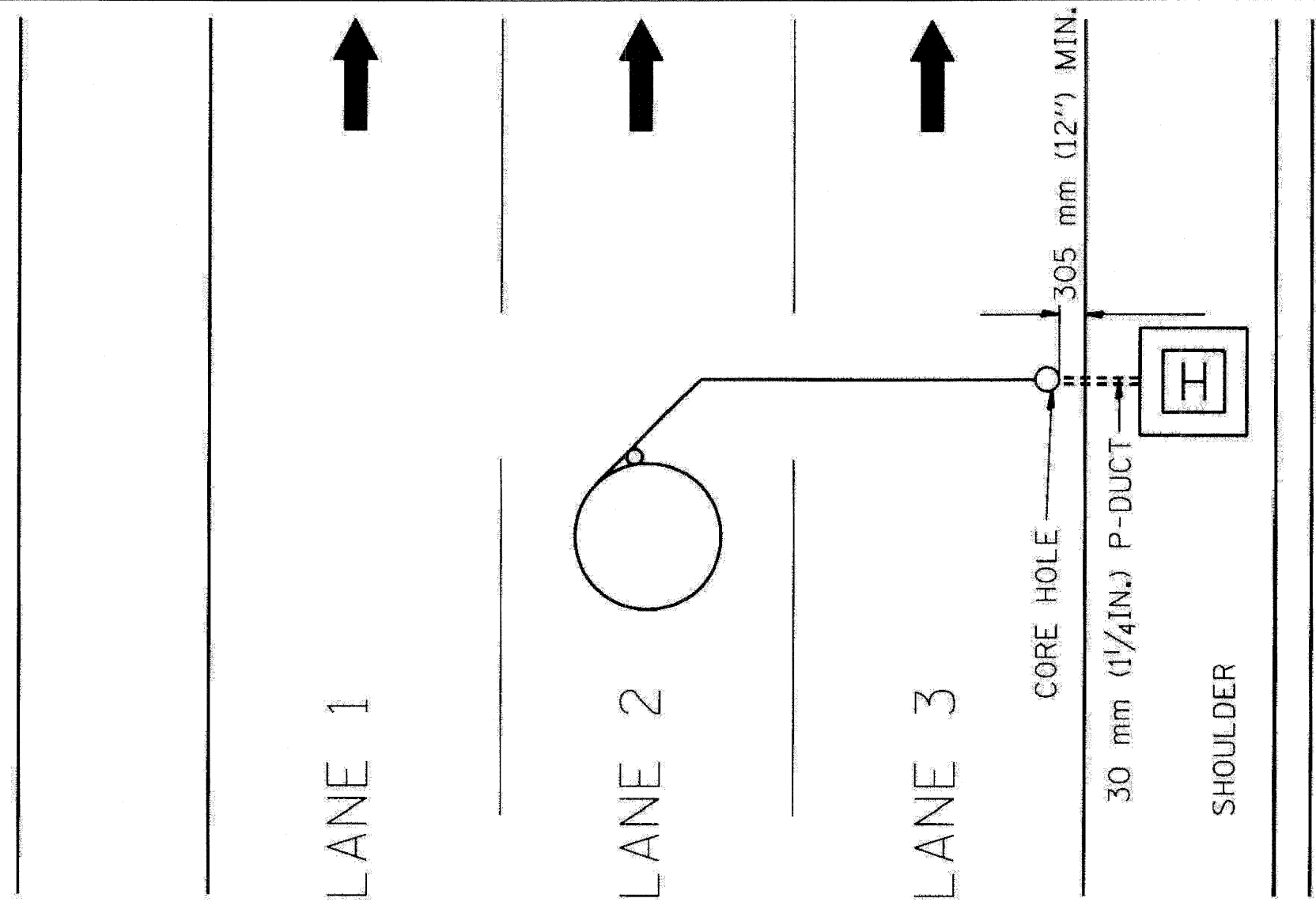


F.A.I. RTE.	SECTION	COUNTY	TOTAL SHEETS	SHEET NO.
STA. _____		TO STA. _____		
FED. ROAD DIST. NO. _____		ILLINOIS FED. AID PROJECT _____		



REVISIONS	
NO.	DATE

ILLINOIS DEPARTMENT OF TRANSPORTATION
TRAFFIC SYSTEMS CENTER

DIVE HOLE DUCT SYSTEM

SCALE: ~~NOT~~ NONE
DATE 11/7/95

DRAWN BY: G.A.
CHECKED BY: R.L.

TRAFFIC SYSTEMS CENTER (TY-1TSC-418#8)

FILE NAME =	DESIGNED - GHT	REVISED -
...vprpln_arc.ctb 15.0FT 13.dgn	DRAWN - TMB	REVISED -
USER NAME = tblank	CHECKED - MPM	REVISED -
PLOT DATE = 11/13/2009	DATE - 10/16/09	REVISED -

benesch

STATE OF ILLINOIS
DEPARTMENT OF TRANSPORTATION

TRAFFIC SYSTEMS CENTER
DETAIL SHEETS

SCALE: N.T.S. SHEET NO. 13 OF 14 SHEETS STA. _____ TO STA. _____

F.A.I. RTE.	SECTION	COUNTY	TOTAL SHEETS	SHEET NO.
220, 1-1, 2&3RS-7		DUPAGE	546	530
*290,355		CONTRACT NO. 60G51		
FED. ROAD DIST. NO. _____		ILLINOIS FED. AID PROJECT _____		