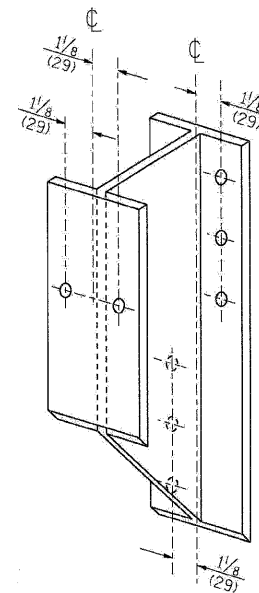
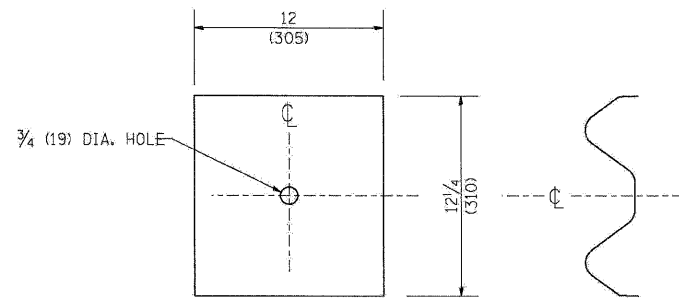


STEEL POST CONSTRUCTION



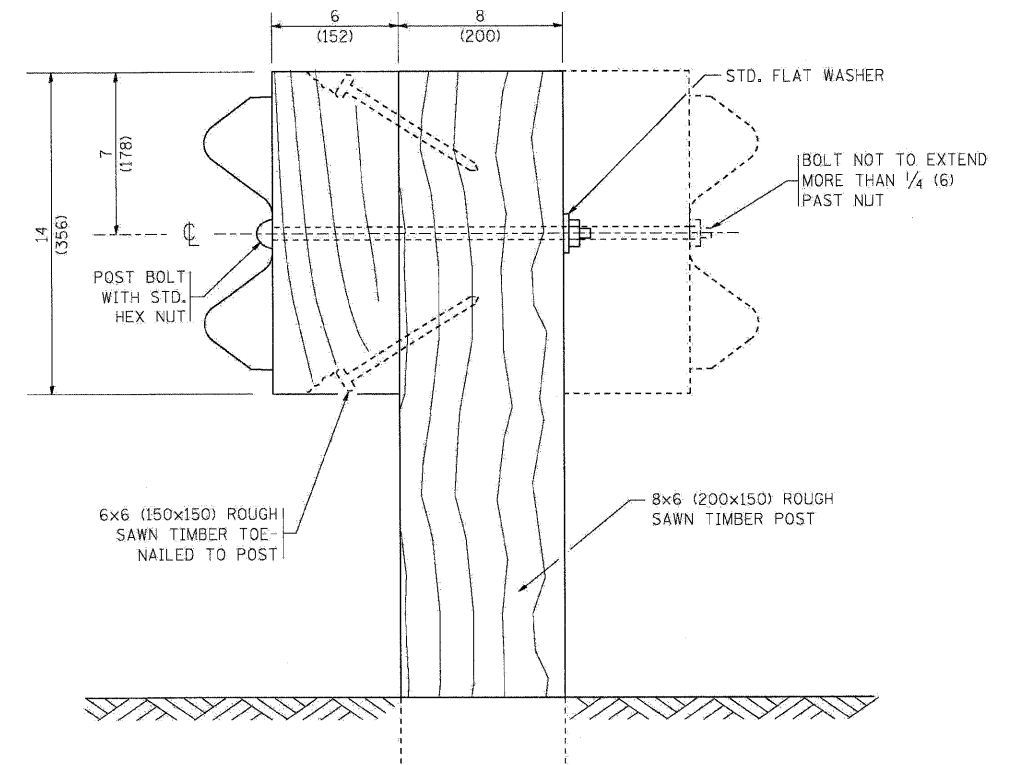
STEEL BLOCK-OUT DETAIL



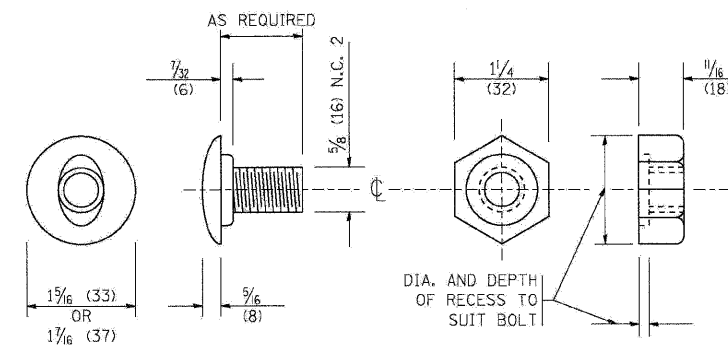
NOTE:

PLATE A SHALL BE PLACED BETWEEN RAIL ELEMENT AND BLOCK-OUT AT NON-SPLICE MOUNTING POINTS ONLY WHEN STEEL BLOCK-OUTS ARE USED.

PLATE A



WOOD POST CONSTRUCTION



POST OR SPLICE BOLT & NUT

FILE NAME =	DESIGNED - AJP	REVISED -
...NppIn.ABC.C1.D1.BM-21B.dgn	DRAWN - TMB	REVISED -
USER NAME = tblank	CHECKED - JMM	REVISED -
PLOT DATE = 11/13/2009	DATE - 10/16/09	REVISED -

**benesch**

**STATE OF ILLINOIS  
DEPARTMENT OF TRANSPORTATION**

**REMOVE AND REERECT GUARDRAIL**

SCALE: N.T.S. SHEET NO. 6 OF 15 SHEETS STA. TO STA.

F.A.I. RTE.	SECTION	COUNTY	TOTAL SHEETS	SHEET NO.
•	220, 1-1, 2&3RS-7	DUPAGE	546	537
•290,355	CONTRACT NO. 60G51			
FED. ROAD DIST. NO.	ILLINOIS FED. AID PROJECT			