

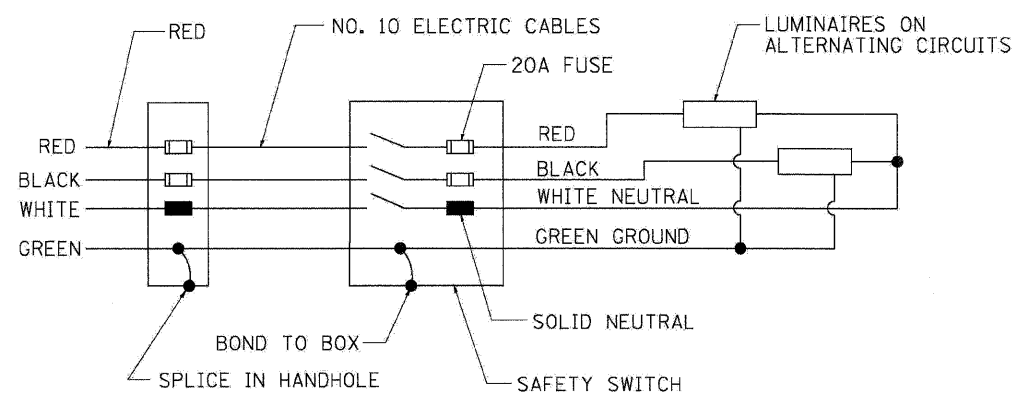
SIGN NUMBER  
 DECAL SIZE: 8" (200) W X 9" (230) H  
 CHARACTER SIZE: 6" (150) W X 8" (200) H

7' (2 m) ABOVE PAVEMENT

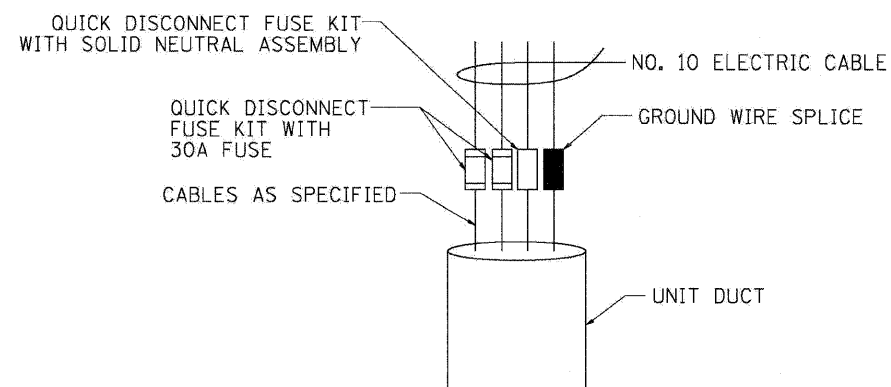
HANDHOLE  
 SEE DETAIL "A"

**NOTES:**

1. ALL DIMENSIONS ARE IN INCHES (MILLIMETERS) UNLESS OTHERWISE SHOWN
2. ALL CONDUIT ATTACHED TO STRUCTURE SHALL BE GALVANIZED RIGID METALIC CONDUIT, PVC COATED (GRMC, PVC)
3. THE USE OF LIQUID TIGHT METAL CONDUIT (TYPE LFMC) SHALL BE LIMITED TO LOCATIONS WHERE MOVEMENT IS ANTICIPATED AND SHALL NOT EXCEED 5' (1.5 m) IN LENGTH
4. ALL WORK INDICATED SHALL BE INCLUDED IN THE PAY ITEM FOR ELECTRIC CONNECTION TO SIGN STRUCTURE
5. THE SAFETY SWITCH SHALL BE LOCATED ON THE SIDE OF THE SIGN STRUCTURE WHICH IS CLOSEST TO THE SHOULDER, OR EDGE OF PAVEMENT.



**WIRING DIAGRAM**



**DETAIL A**

**BE-600**

FILE NAME =	DESIGNED - AJP	REVISED -
USER NAME = jmajewski	DRAWN - TMB	REVISED -
PLCT DATE = 12/16/2009	CHECKED - JMM	REVISED -
	DATE - 10/16/09	REVISED -

**benesch**

**STATE OF ILLINOIS  
 DEPARTMENT OF TRANSPORTATION**

**ELECTRIC CONNECTION TO SIGN STRUCTURE SPAN TYPE**

SCALE: N.T.S. SHEET NO. 1 OF 8 SHEETS STA. TO STA.

F.A.I. RTE.	SECTION	COUNTY	TOTAL SHEETS	SHEET NO.
*	22(1, 1-1, 2&3)RS-7	DUPAGE	661	654
*290.355			CONTRACT NO. 60G51	
FED. ROAD DIST. NO. [ILLINOIS] FED. AID PROJECT				