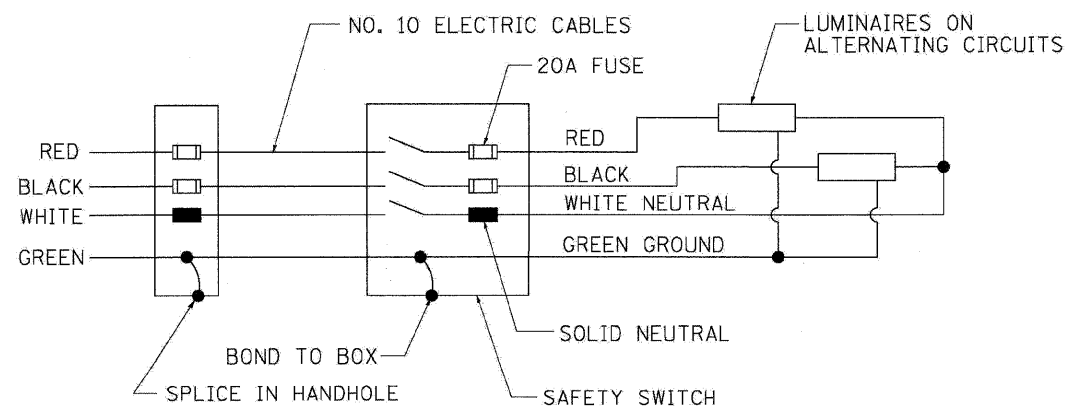
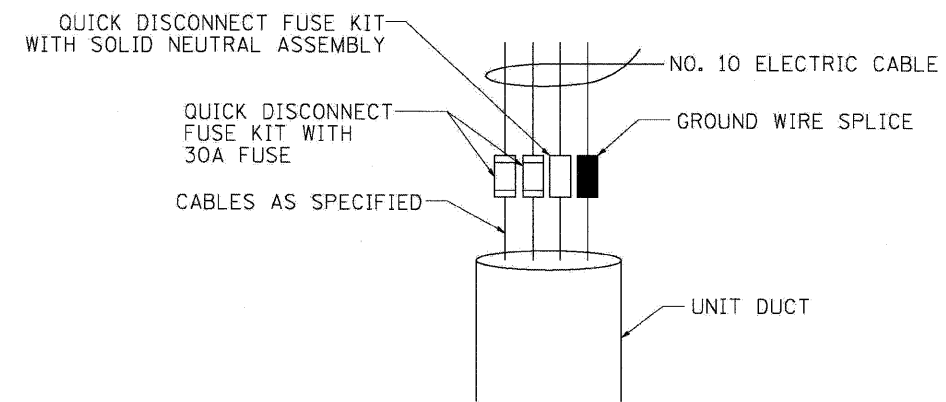


NOTES:

1. ALL DIMENSIONS ARE IN INCHES (MILLIMETERS) UNLESS OTHERWISE SHOWN
2. ALL CONDUIT ATTACHED TO STRUCTURE SHALL BE GALVANIZED RIGID METALIC CONDUIT, PVC COATED (GRMC, PVC)
3. THE USE OF LIQUID TIGHT METAL CONDUIT (TYPE LFMC) SHALL BE LIMITED TO LOCATIONS WHERE MOVEMENT IS ANTICIPATED AND SHALL NOT EXCEED 5' (1.5M) IN LENGTH
4. ALL WORK INDICATED SHALL BE INCLUDED IN THE PAY ITEM FOR ELECTRIC CONNECTION TO SIGN STRUCTURE
5. THE SAFETY SWITCH SHALL BE LOCATED ON THE SIDE OF THE SIGN STRUCTURE WHICH IS CLOSEST TO THE SHOULDER, OR EDGE OF PAVEMENT.



WIRING DIAGRAM



DETAIL A

BE-601

FILE NAME =	DESIGNED - AJP	REVISED -
...\\prip1r-abc.c1.01.BE-601A.dgn	DRAWN - TMB	REVISED -
USER NAME = jhojwsk	CHECKED - JMM	REVISED -
PLOT DATE = 12/16/2009	DATE - 10/16/09	REVISED -

benesch

**STATE OF ILLINOIS
DEPARTMENT OF TRANSPORTATION**

ELECTRIC CONNECTION TO SIGN STRUCTURE CANTILEVER TYPE

SCALE: N.T.S. SHEET NO. 3 OF 8 SHEETS STA. TO STA.

F.A.I. RTE.	SECTION	COUNTY	TOTAL SHEETS	SHEET NO.
*	220, 1-1, 2&3RS-7	DUPAGE	661	656
*290,355			CONTRACT NO. 60G51	
FED. ROAD DIST. NO. ILLINOIS FED. AID PROJECT				