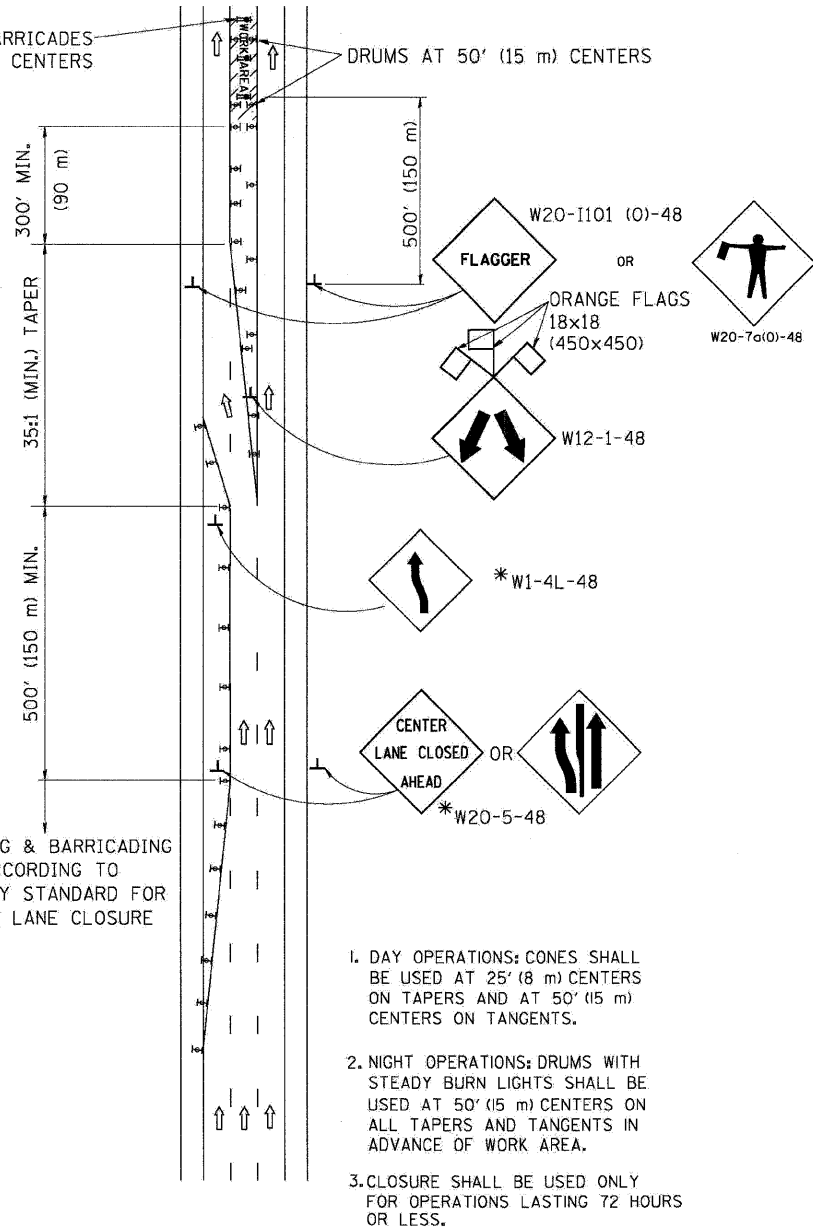


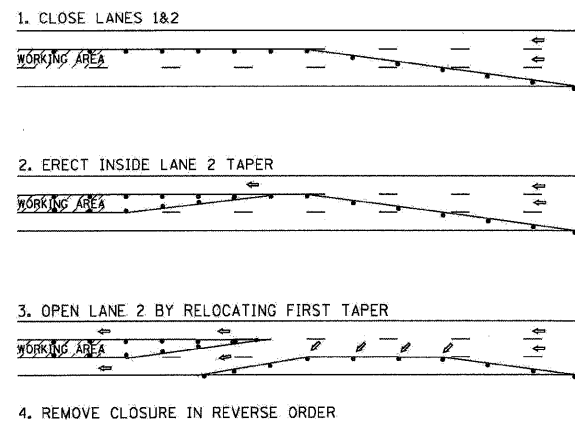
# CENTER LANE CLOSURE

TYPE I CHECK BARRICADES AT 100' (30 m) CENTERS



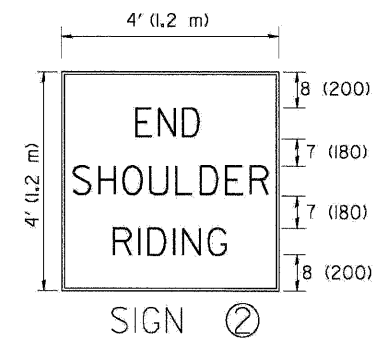
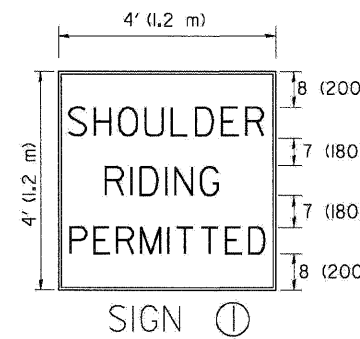
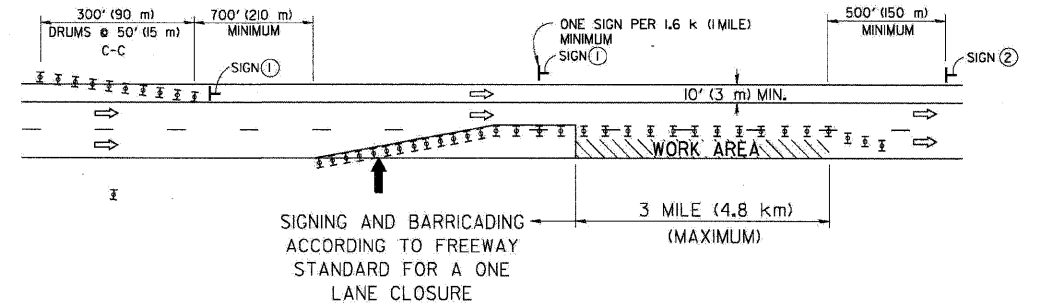
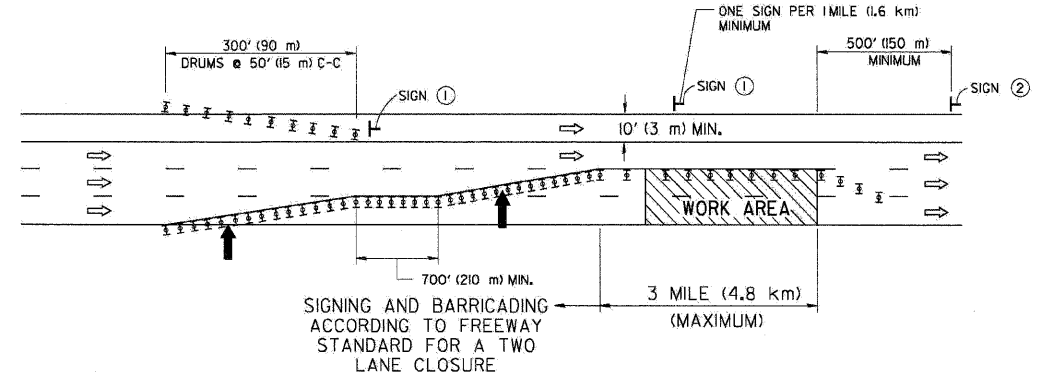
1. DAY OPERATIONS: CONES SHALL BE USED AT 25' (8 m) CENTERS ON TAPERS AND AT 50' (15 m) CENTERS ON TANGENTS.
2. NIGHT OPERATIONS: DRUMS WITH STEADY BURN LIGHTS SHALL BE USED AT 50' (15 m) CENTERS ON ALL TAPERS AND TANGENTS IN ADVANCE OF WORK AREA.
3. CLOSURE SHALL BE USED ONLY FOR OPERATIONS LASTING 72 HOURS OR LESS.

### INSTALLATION SEQUENCE



# SHOULDER LANE

NOTE: CLOSURE SHALL BE USED ONLY FOR OPERATIONS LASTING 72 HOURS OR LESS.



6 (150) SERIES 'C' LEGEND  
BLACK LEGEND  
WHITE REFLECT. BACKGROUND  
1 (25) BORDER

### SYMBOLS

- ↑ DIRECTION OF TRAFFIC
- ➔ ARROWBOARD
- ▨ WORK AREA.
- ◇ SIGN WITH 18x18 (450x450) ORANGE FLAGS ATTACHED \*
- ┆ SIGN ON PORTABLE OR PERMANENT SUPPORT \*
- ⊥ TYPE II BARRICADE, DRUM OR VERTICAL BARRICADE WITH MONO-DIRECTIONAL STEADY BURN LIGHT

TC-25

ALL DIMENSIONS ARE IN INCHES (MILLIMETERS) UNLESS OTHERWISE SHOWN

\* ALL SIGNS SHALL BE MOUNTED AT A MINIMUM HEIGHT OF 5' (1.5 m).

FILE NAME =	DESIGNED - AJP	REVISED -
...\\preln_abc.c1.d1.tc-25.dgn	DRAWN - TMB	REVISED -
USER NAME = jmojwsk	CHECKED - JMM	REVISED -
PLOT DATE = 12/16/2009	DATE - 10/16/09	REVISED -

**benesch**

STATE OF ILLINOIS  
DEPARTMENT OF TRANSPORTATION

TRAFFIC CONTROL DETAILS FOR FREEWAY  
CENTER LANE CLOSURE SHOULDER LANE

SCALE: N.T.S. SHEET NO. 7 OF 8 SHEETS STA. TO STA.

F.A.I. RTE.	SECTION	COUNTY	TOTAL SHEETS	SHEET NO.
290,355	22(1, 1-1, 2&3)RS-7	DUPAGE	661	660
FED. ROAD DIST. NO.		ILLINOIS FED. AID PROJECT		CONTRACT NO. 60C51