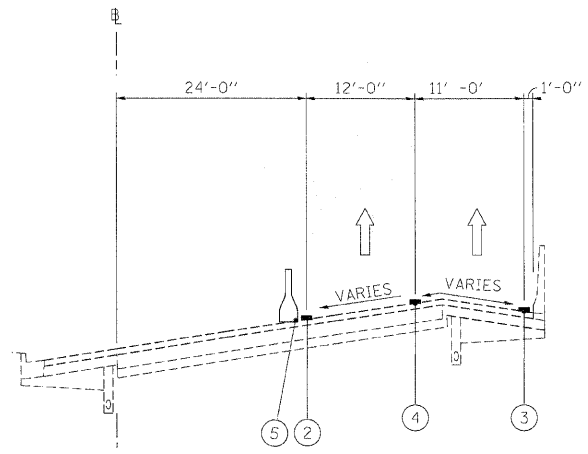


EASTBOUND
STA 484+49 TO STA 490+41

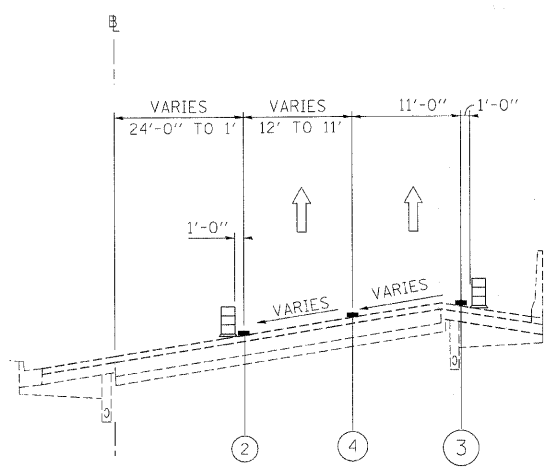
**I-290 MAINTENANCE OF TRAFFIC
TYPICAL SECTION
STAGE 2**



EASTBOUND
STA 490+41 TO STA 494+42

**I-290 MAINTENANCE OF TRAFFIC
TYPICAL SECTION
STAGE 2**

BRIDGE OMISSION: STA 490+41 to STA 494+42



EASTBOUND
STA 494+42 TO STA 505+97

**I-290 MAINTENANCE OF TRAFFIC
TYPICAL SECTION
STAGE 2**

- LEGEND**
- ① EXISTING PAVEMENT MARKING
 - ② WET REFLECTIVE TEMPORARY TAPE, - TYPE III, 4 INCH (YELLOW)
 - ③ WET REFLECTIVE TEMPORARY TAPE, - TYPE III, 4 INCH (WHITE)
 - ④ WET REFLECTIVE TEMPORARY TAPE, - TYPE III, 5 INCH (WHITE)
 - ⑤ TEMPORARY PAVEMENT MARKING - LINE 6" (YELLOW) (ON BARRIER)
 - ⑥ TEMPORARY PAVEMENT MARKING - LINE 6" (WHITE) (ON BARRIER)
 - ⑦ WET REFLECTIVE TEMPORARY TAPE - TYPE III, 8 INCH (WHITE)
 - TEMPORARY CONCRETE BARRIER
 - TYPE II BARRIER, DRUM, OR VERTICAL BARRICADE WITH STEADY BURN MONODIRECTIONAL LIGHT
 - WORK ZONE

FILE NAME *	DESIGNED - AJP	REVISED -
...pp\in\ABC\C2\m\mot_typ_st.2.dgn	DRAWN - TMB	REVISED -
USER NAME = t61ehk	CHECKED - JUT	REVISED -
PLOT DATE = 11/13/2009	DATE - 10/16/09	REVISED -

benesch

**STATE OF ILLINOIS
DEPARTMENT OF TRANSPORTATION**

MAINTENANCE OF TRAFFIC TYPICAL SECTION - STAGE 2			
SCALE:	SHEET NO. 41 OF 96 SHEETS	STA.	TO STA.

F.A.I. RTE.	SECTION	COUNTY	TOTAL SHEETS	SHEET NO.
290	(3031.1, ETC., 3830RS-5	COOK	298	135
FED. ROAD DIST. NO.			ILLINOIS FED. AID PROJECT	
			CONTRACT NO. 60G52	