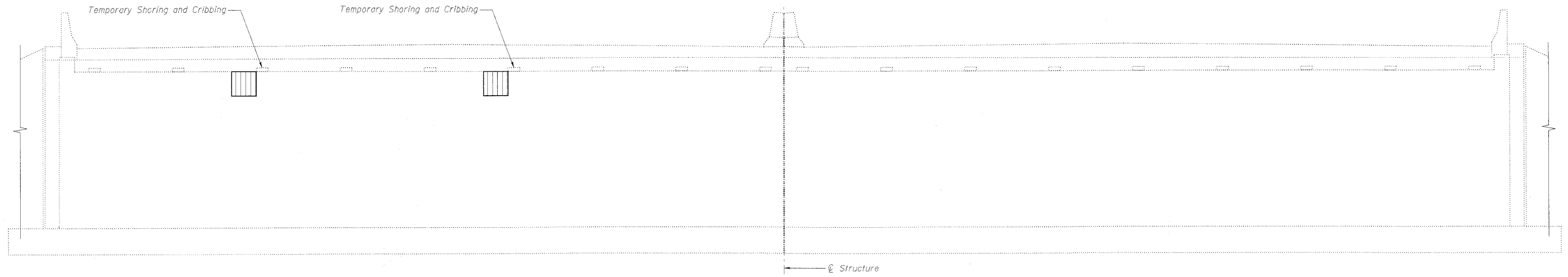
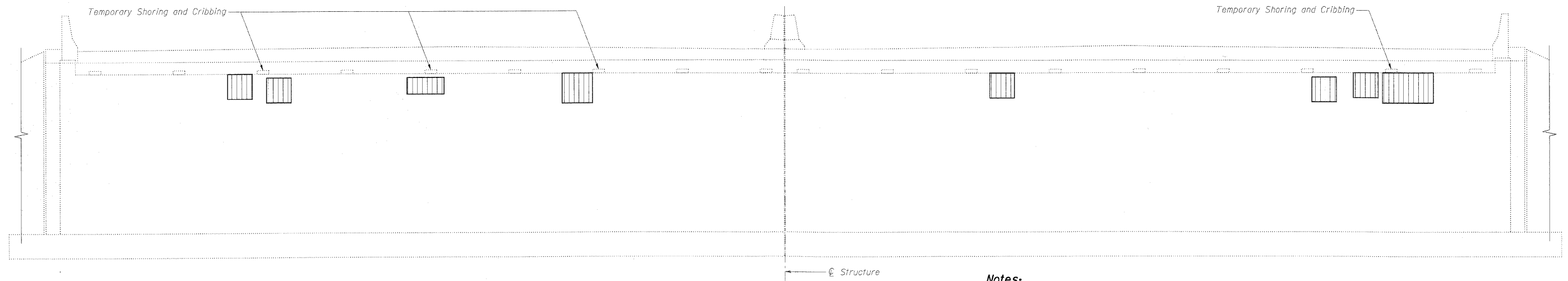


STATE OF ILLINOIS
DEPARTMENT OF TRANSPORTATION




EAST ABUTMENT ELEVATION
(Looking East)



WEST ABUTMENT ELEVATION
(Looking West)

BILL OF MATERIAL

Symbol	Item	Unit	Quantity
	Structural Repair of Concrete (Depth Equal to or Less than 5 Inches)	Sq. Ft.	50
	Temporary Shoring and Cribbing	Each	6

BEAM REACTIONS (KIPS)

DEAD LOAD	LIVE LOAD	IMPACT LOAD	TOTAL
17.5	32.0	9.6	59.1

Notes:

- The abutment repairs are estimated based on visual inspections completed in June 2009.
- Temporary Shoring and Cribbing shall be provided per the Special Provisions for "Structural Repair of Concrete" and "Temporary Shoring and Cribbing".
- Interference is expected from existing conduits. The Contractor shall remove and reerect or temporarily support the existing conduits to complete the work as detailed. When the work is completed the conduits shall be reconnected to the reconstructed abutment or pier utilizing the existing mounting brackets or new mounting brackets. All labor, equipment, and materials necessary for removing and reinstalling or temporarily supporting the existing conduits shall be included in the cost for Structural Repair of Concrete (Depth Equal to or Less than 5 Inches).
- The tabulated beam reactions were taken from the existing construction plans. The Contractor shall verify that the equipment used to support the beams is sufficient to carry these loads in addition to any temporary construction loads.

ABUTMENT REPAIR DETAILS
STRUCTURE NO. 016-0986

DESIGNED -	DMS
CHECKED -	EFS
DRAWN -	RMG
CHECKED -	KJN

benesch

alfred benesch & company
Engineers - Surveyors - Planners
205 North Michigan Avenue, Suite 2400
Chicago, Illinois 60601
312-565-0450 Job No. 10050

SHEET NO. 5 5 SHEETS	F.A.I. RTE.	SECTION	COUNTY	TOTAL SHEETS	SHEET NO.
		(3031.1, ETC., 3838)RS-5	COOK	298	240
FED. ROAD DIST. NO.			ILLINOIS	FED. AID PROJECT	
CONTRACT NO. 60G52					