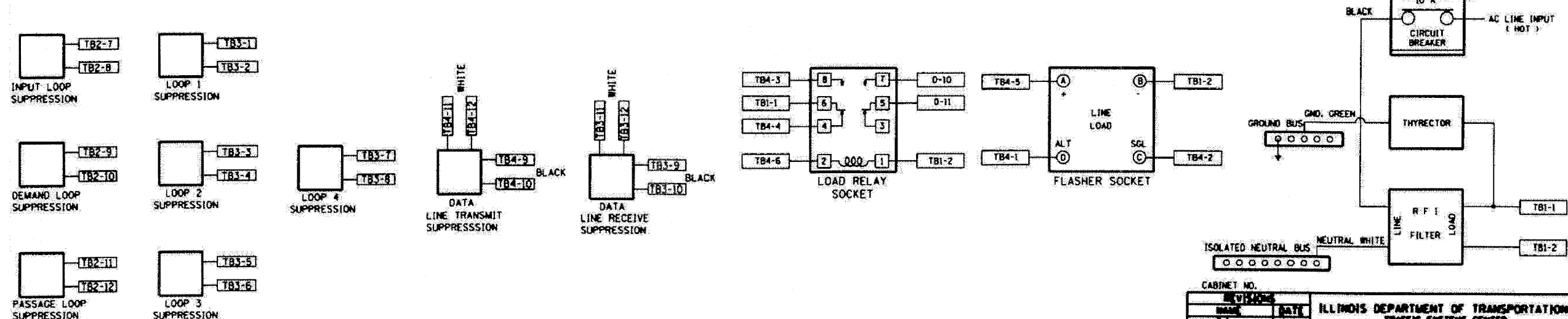
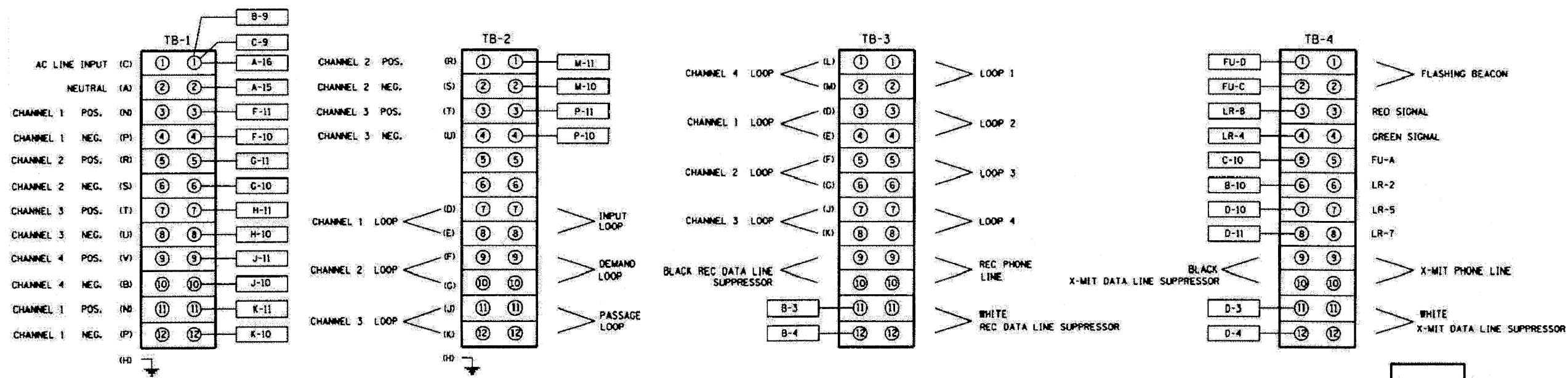
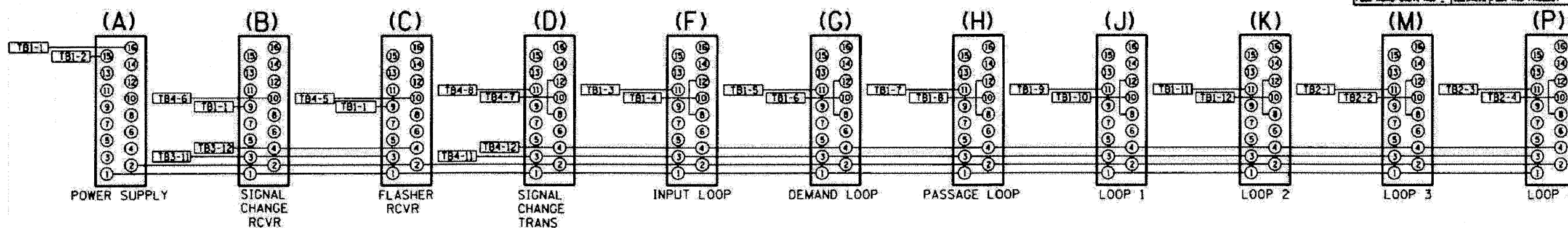


BACK VIEW OF TONE RACK

F.A. RTE.	SECTION	COUNTY	TOTAL SHEETS	SHEET NO.
STA. _____ TO STA. _____		ILLINOIS FED. AID PROJECT		
FED. ROAD DIST. NO. _____				



REVISIONS	
NAME	DATE
T.C.	6/94
R.A.	3/95
R.A.	5/95
CABINET NO. _____	
ILLINOIS DEPARTMENT OF TRANSPORTATION TRAFFIC SYSTEMS CENTER	
METERING CABINET WIRING DIAGRAM	
SCALE: VERT. NONE HORIZ. _____	DRAWN BY: G.M. CHECKED BY: T.C.
DATE: 6/21/94	

TRAFFIC SYSTEMS CENTER (TY-1TSC-400*8)

FILE NAME =	DESIGNED - GHT	REVISED -
...\\ppp\in_abc\02_TS_DET_05.dgn	DRAWN - TMB	REVISED -
USER NAME = tblank	CHECKED - MPM	REVISED -
PLOT DATE = 11/12/2009	DATE - 10/16/09	REVISED -

benesch

STATE OF ILLINOIS
DEPARTMENT OF TRANSPORTATION

TRAFFIC SYSTEMS CENTER
DETAIL SHEETS

SCALE: N.T.S. SHEET NO. 5 OF 16 SHEETS STA. _____ TO STA. _____

F.A. RTE.	SECTION	COUNTY	TOTAL SHEETS	SHEET NO.
290	130311, ETC., 38381R5-5	COOK	298	272
FED. ROAD DIST. NO. _____			ILLINOIS FED. AID PROJECT	
			CONTRACT NO. 60G52	