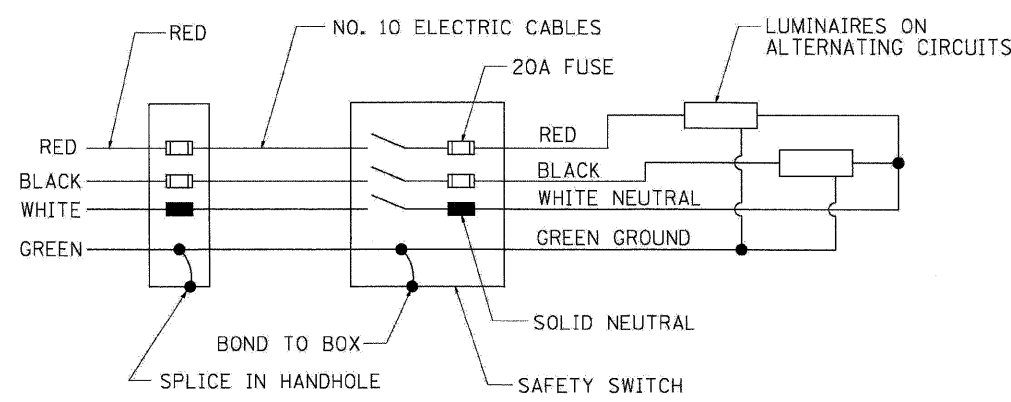
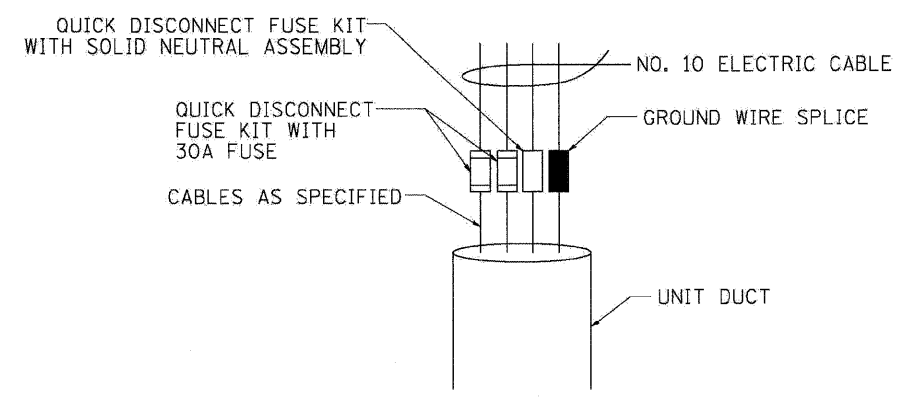


SIGN NUMBER  
 DECAL SIZE: 8" (200) W X 9" (230) H  
 CHARACTER SIZE: 6" (150) W X 8" (200) H

7' (2 m) ABOVE PAVEMENT



WIRING DIAGRAM



DETAIL A

NOTES:

1. ALL DIMENSIONS ARE IN INCHES (MILLIMETERS) UNLESS OTHERWISE SHOWN
2. ALL CONDUIT ATTACHED TO STRUCTURE SHALL BE GALVANIZED RIGID METALIC CONDUIT, PVC COATED (GRMC, PVC)
3. THE USE OF LIQUID TIGHT METAL CONDUIT (TYPE LFMC) SHALL BE LIMITED TO LOCATIONS WHERE MOVEMENT IS ANTICIPATED AND SHALL NOT EXCEED 5' (1.5 m) IN LENGTH
4. ALL WORK INDICATED SHALL BE INCLUDED IN THE PAY ITEM FOR ELECTRIC CONNECTION TO SIGN STRUCTURE
5. THE SAFETY SWITCH SHALL BE LOCATED ON THE SIDE OF THE SIGN STRUCTURE WHICH IS CLOSEST TO THE SHOULDER, OR EDGE OF PAVEMENT.

BE-600

FILE NAME =	DESIGNED - AJP	REVISED -
...\\pp1n_abc_c2_d1_be-600a.dgn	DRAWN - TMB	REVISED -
USER NAME = jmjewski	CHECKED - JMM	REVISED -
PLOT DATE = 12/16/2009	DATE - 10/16/09	REVISED -

**benesch**

STATE OF ILLINOIS  
 DEPARTMENT OF TRANSPORTATION

ELECTRIC CONNECTION TO SIGN STRUCTURE SPAN TYPE

SCALE: N.T.S. SHEET NO. 1 OF 8 SHEETS STA. TO STA.

F.A.I. RTE.	SECTION	COUNTY	TOTAL SHEETS	SHEET NO.
290	(3031.1, ETC., 3836RS-5	COOK	413	406
FED. ROAD DIST. NO. ILLINOIS FED. AID PROJECT			CONTRACT NO. 60G52	