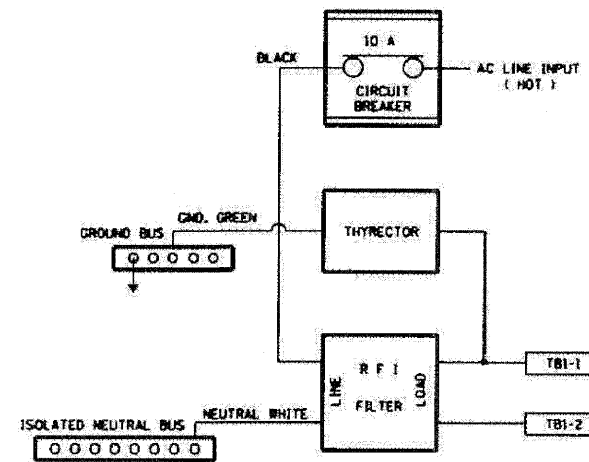
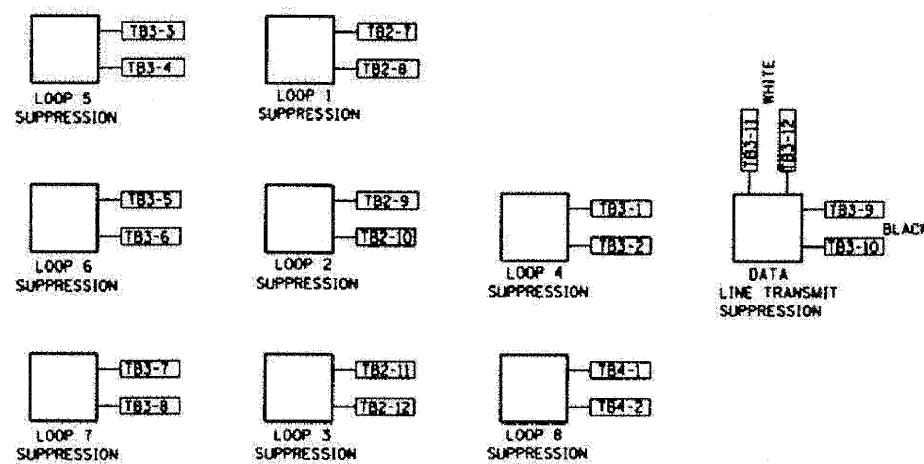
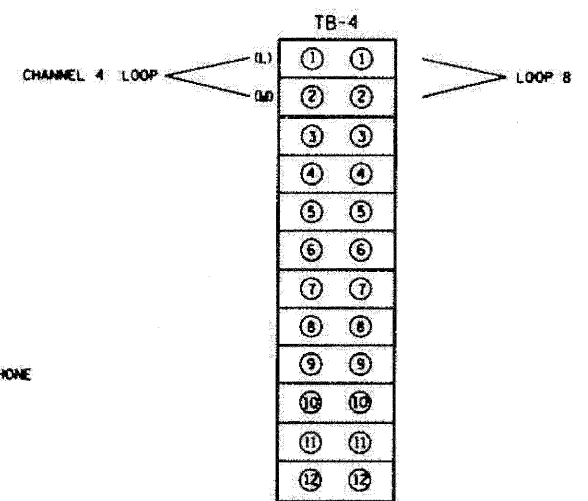
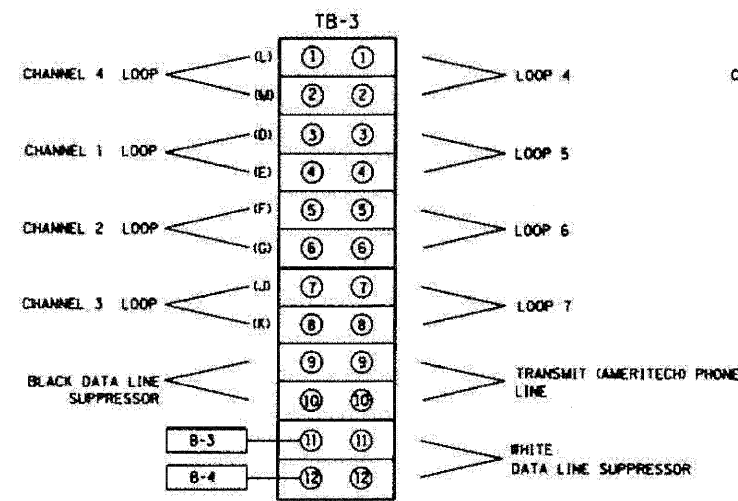
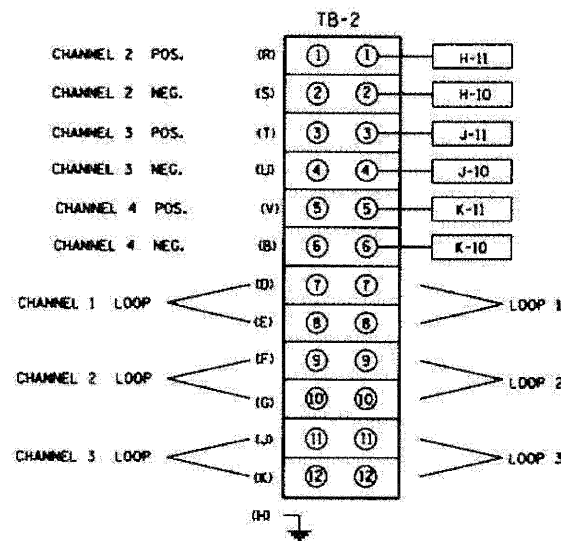
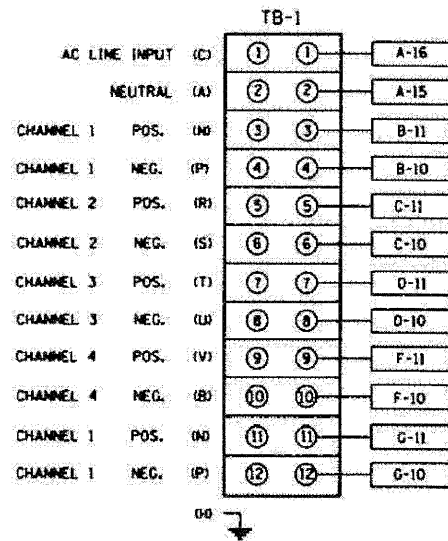
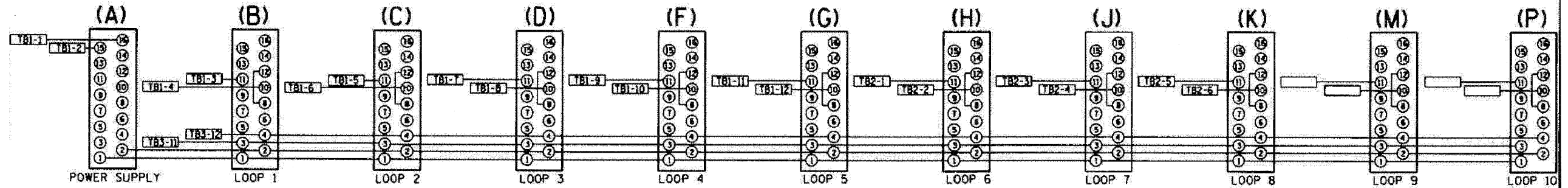


F.A.I. RTE.	SECTION	COUNTY	TOTAL SHEETS	SHEET NO.
STA.	TO STA.			
FED. ROAD DIST. NO.	ILLINOIS FED. AID PROJECT			

BACK VIEW OF TONE RACK



CABINET NO.		ILLINOIS DEPARTMENT OF TRANSPORTATION TRAFFIC SYSTEMS CENTER TYPE 3 CABINET WIRING DIAGRAM SCALE: NEXT NONE DATE 10/17/85 DRAWN BY G.M. CHECKED BY R.L.
REVISION	DATE	

TRAFFIC SYSTEMS CENTER (TY-1TSC-400*13)

FILE NAME *	DESIGNED - GHT	REVISED -
...ppln-ABC.C3.TS.DET.06.dgn	DRAWN - DMS	REVISED -
USER NAME = tblank	CHECKED - MPM	REVISED -
PLOT DATE = 11/2/2009	DATE - 10/16/09	REVISED -

benesch

STATE OF ILLINOIS
DEPARTMENT OF TRANSPORTATION

TRAFFIC SYSTEM CENTER DETAIL SHEETS	
SCALE: N.T.S.	SHEET NO. 6 OF 15 SHEETS
STA.	TO STA.

F.A.I. RTE.	SECTION	COUNTY	TOTAL SHEETS	SHEET NO.
290	(2828B,D, ETC., 3031,1RS-6	COOK	185	161
FED. ROAD DIST. NO.			ILLINOIS FED. AID PROJECT	